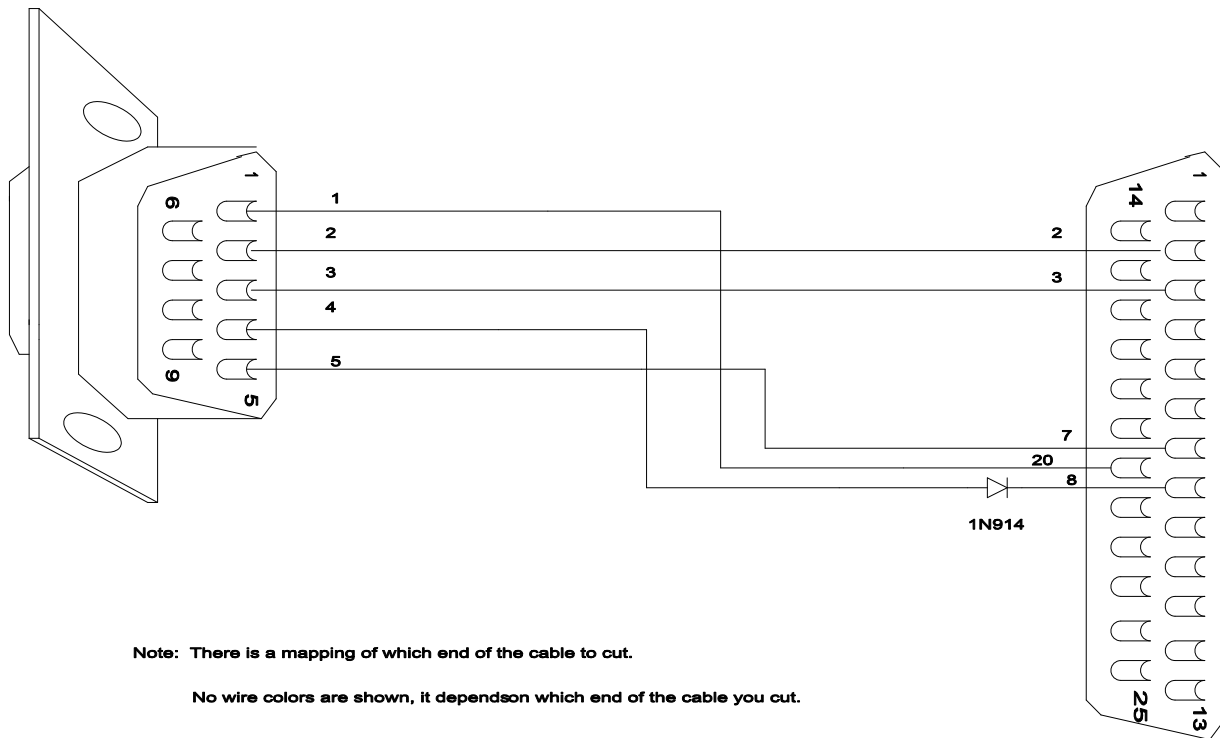
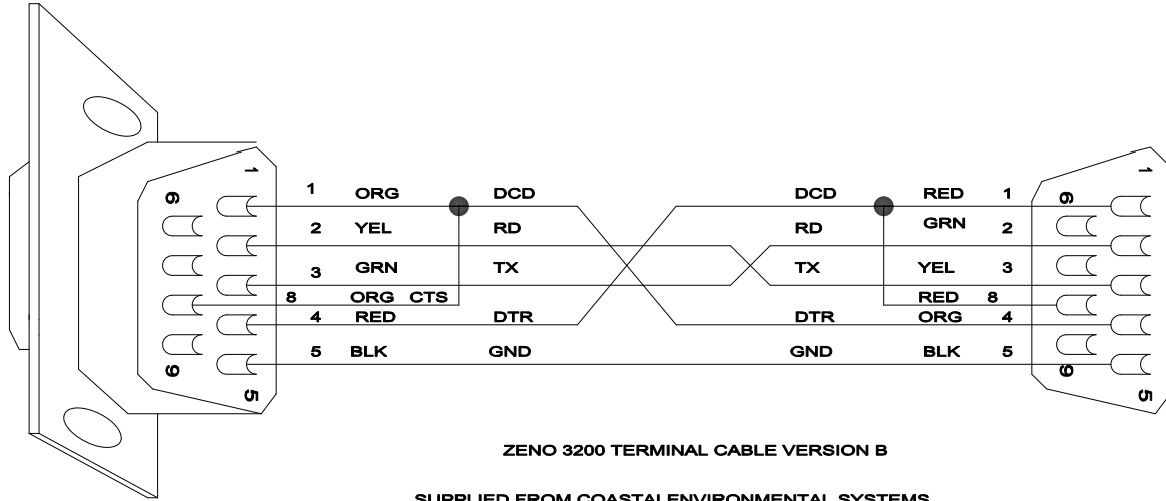


ZENO to PC Cable



Both Com ports Active

- 25 On 1 = 8 On CD
- 19 On 8 = 5 On CTS
- 17 On 4 = 20 On DTR
- 16 On 9 = 22 On RI
- 13 On
- 8 On

25 pin Active 9 pin OFF

- 25 On 1 = 8 Off CD
- 19 On 8 = 5 Off CTS
- 17 On 4 = 20 Off DTR
- 16 Off 9 = 22 On RI
- 13 On
- 8 On

Zeno to PC cable

Item	Qty	Description
1	1	Zeno 3200 terminal cable version B
2	1	25 pin female D type connector
3	1	1N914 diode
4	6	3/32 heatshrink 1/4"
5	1	Shell
6	1	Jackscrew kit

MATERIAL:		REVIEWED	DATE	TITLE	
FINISH:		DRAWN: RH		ZENO TO PC CABLE	
SCALE: NONE		CHECKED:		SIZE A	DWG. NUMBER
ALL DIMENSIONS IN INCHES		CHARGE NUMBERS			REV
		TIME:		DATE:	SHEET 1 OF 1
		FILE: mazzeno.skd			