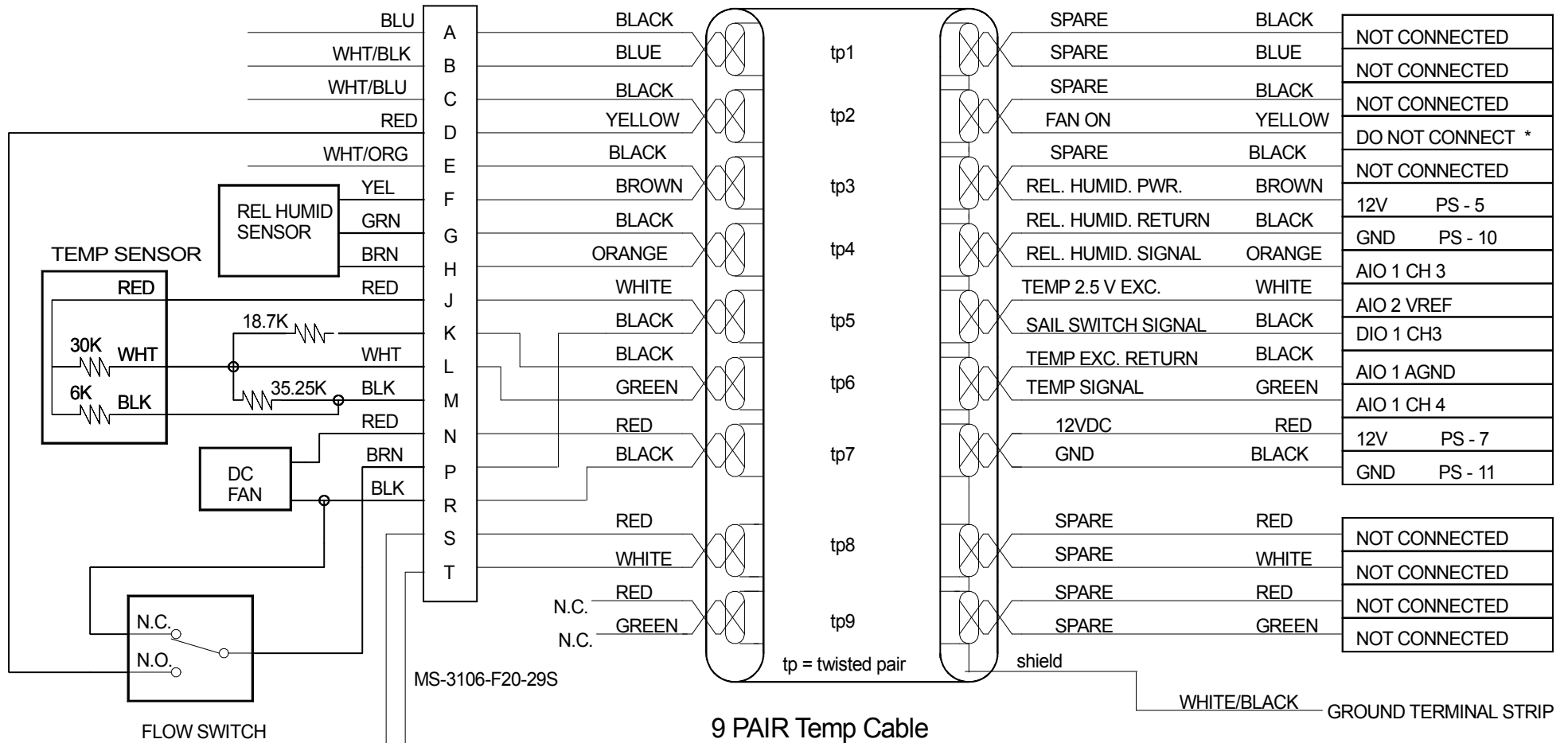


SENSOR BOOM

FUNCTION

SUTRON



* Note: protect wire and place behind Sutron panel

T C E Q

| | | |
|-------------------------|-----------|---------------------------------------------------|
| REVIEWED | DATE | TITLE |
| DRAWN: HERNANDEZ | 8/8/12 | Temp Cable RELATIVE HUMIDITY 9 TWISTED PAIR |
| CHECKED: Randolph | ??? | |
| File Name: Stempcbl.skd | SIZE A | DWG. NUMBER |
| | | REV |