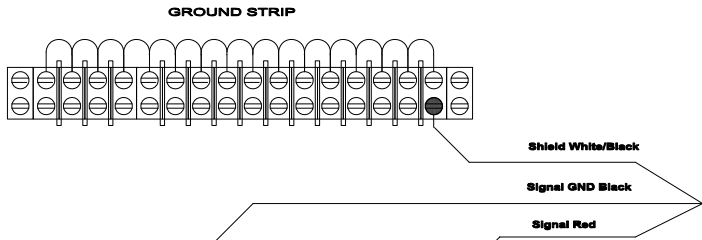
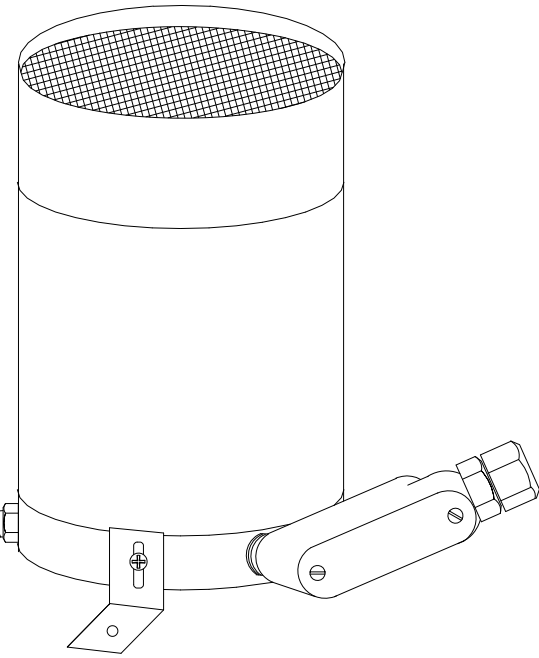
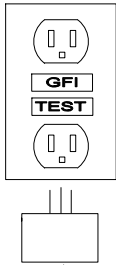


0.01" Rain per switch closure	
Tip Calibration 0.01"	Water Quantity 8.24 milliliters



ADJ01	
ADJ02	
ADJ03	
ADJ04	
ADJ05	
ADJ06	
ADJ07	
ADJ08	
ADJ09	
ADJ10	
ADJ11	
ADJ12	
ADJ13	
ADJ14	
ADJ15	
ADJ16	
ADJ17	
ADJ18	
ADJ19	
ADJ20	

ADJ21	
ADJ22	
ADJ23	
ADJ24	
ADJ25	
ADJ26	
ADJ27	
ADJ28	
ADJ29	
ADJ30	
ADJ31	
ADJ32	
ADJ33	
ADJ34	
ADJ35	
ADJ36	
ADJ37	
ADJ38	
ADJ39	
ADJ40	

ADJ41	
ADJ42	
ADJ43	
ADJ44	
ADJ45	
ADJ46	
ADJ47	
ADJ48	
ADJ49	
ADJ50	
ADJ51	
ADJ52	
ADJ53	
ADJ54	
ADJ55	
ADJ56	
ADJ57	
ADJ58	
ADJ59	
ADJ60	

ADJ61	
ADJ62	
ADJ63	
ADJ64	
ADJ65	
ADJ66	
ADJ67	
ADJ68	
ADJ69	
ADJ70	
ADJ71	
ADJ72	
ADJ73	
ADJ74	
ADJ75	
ADJ76	
ADJ77	
ADJ78	
ADJ79	
ADJ80	

ADJ81	
ADJ82	
ADJ83	
ADJ84	
ADJ85	
ADJ86	
ADJ87	
ADJ88	
ADJ89	
ADJ90	
ADJ91	
ADJ92	
ADJ93	
ADJ94	
ADJ95	
ADJ96	
ADJ97	
ADJ98	
ADJ99	
ADJ100	

POWER
○

PROGRAM
PLUMBING
○

REVIEWED	DATE
DRAWN: Shirkey	11-09-00
CHECKED:	11-09-00
TIME:	

TNRCC	
ZENO TO MET ONE, INC.	
MODEL 375C 8" RAIN GAUGE	
DWG. NUMBER	REV A
SIZE A	SHEET 1 OF 1