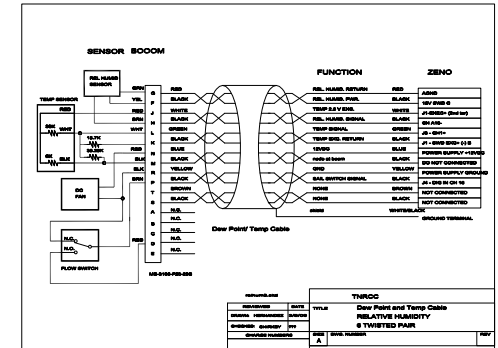
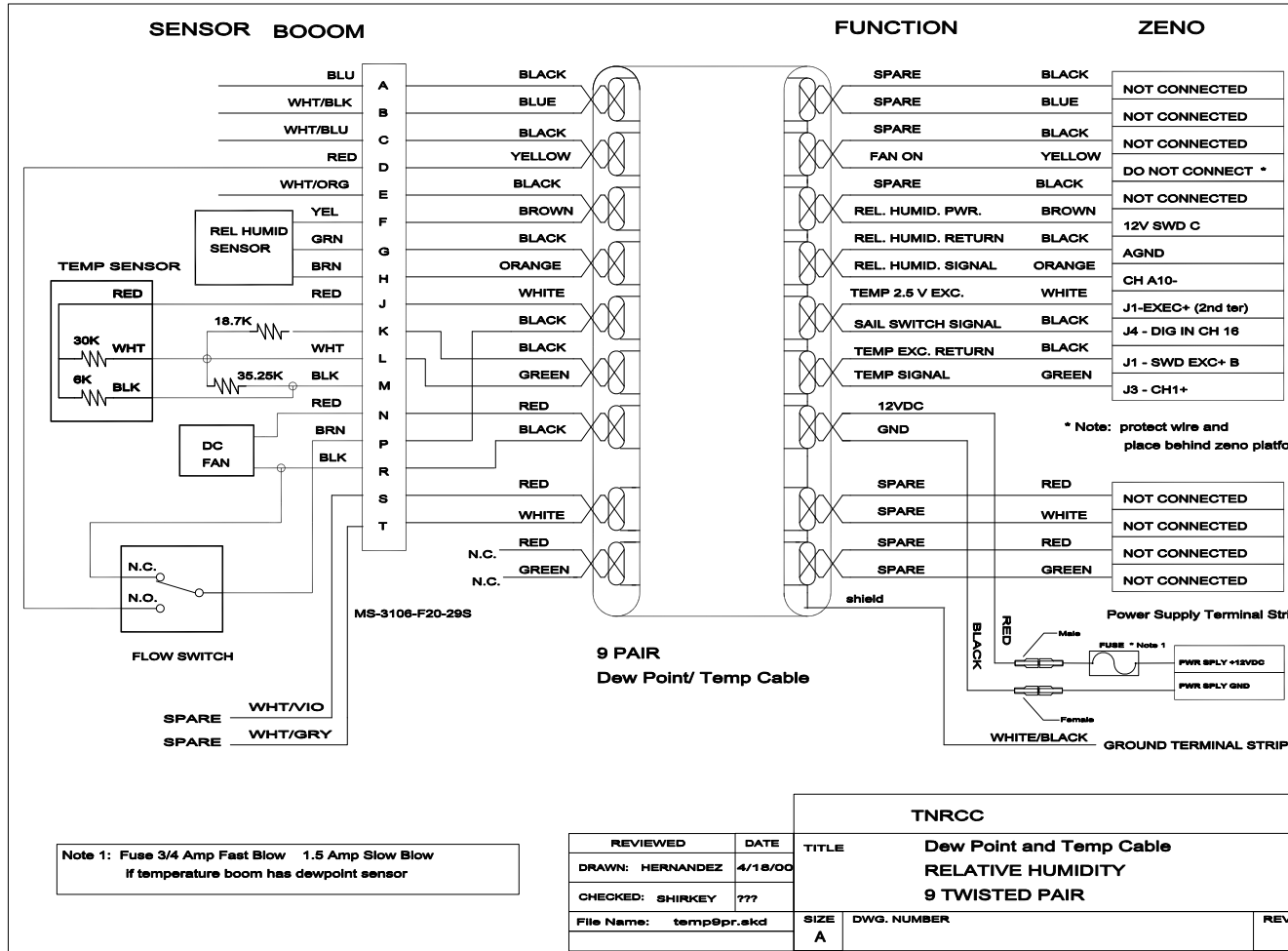


Relative Humidity Twisted Pair



TNRCC

Dew Point and Temp Cable
RELATIVE HUMIDITY
9 TWISTED PAIR

| REVIEWED | DATE | TITLE | SIZE | DWG. NUMBER | REV |
|------------------------|---------|---|------|-------------|-----|
| DRAWN: HERNANDEZ | 4/18/00 | Dew Point and Temp Cable RELATIVE HUMIDITY 9 TWISTED PAIR | A | | |
| CHECKED: SHIRKEY | ??? | | | | |
| File Name: temp@pr.ekd | | | | | |