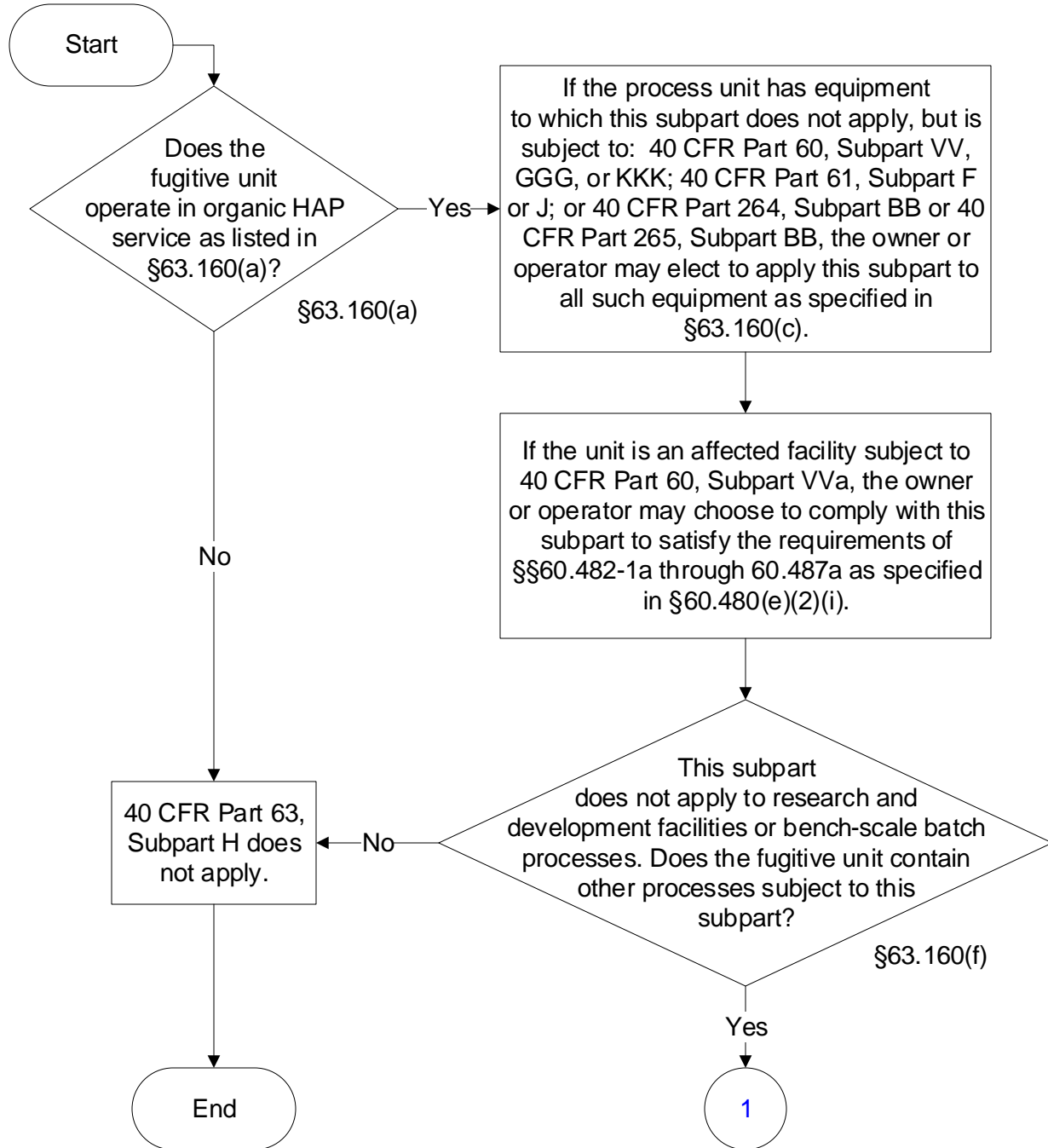




Below is a flowchart describing 40 CFR Part 63, Subpart H. It will likely not be accessible using a screen reader. For the text of the statute/rule, please go to

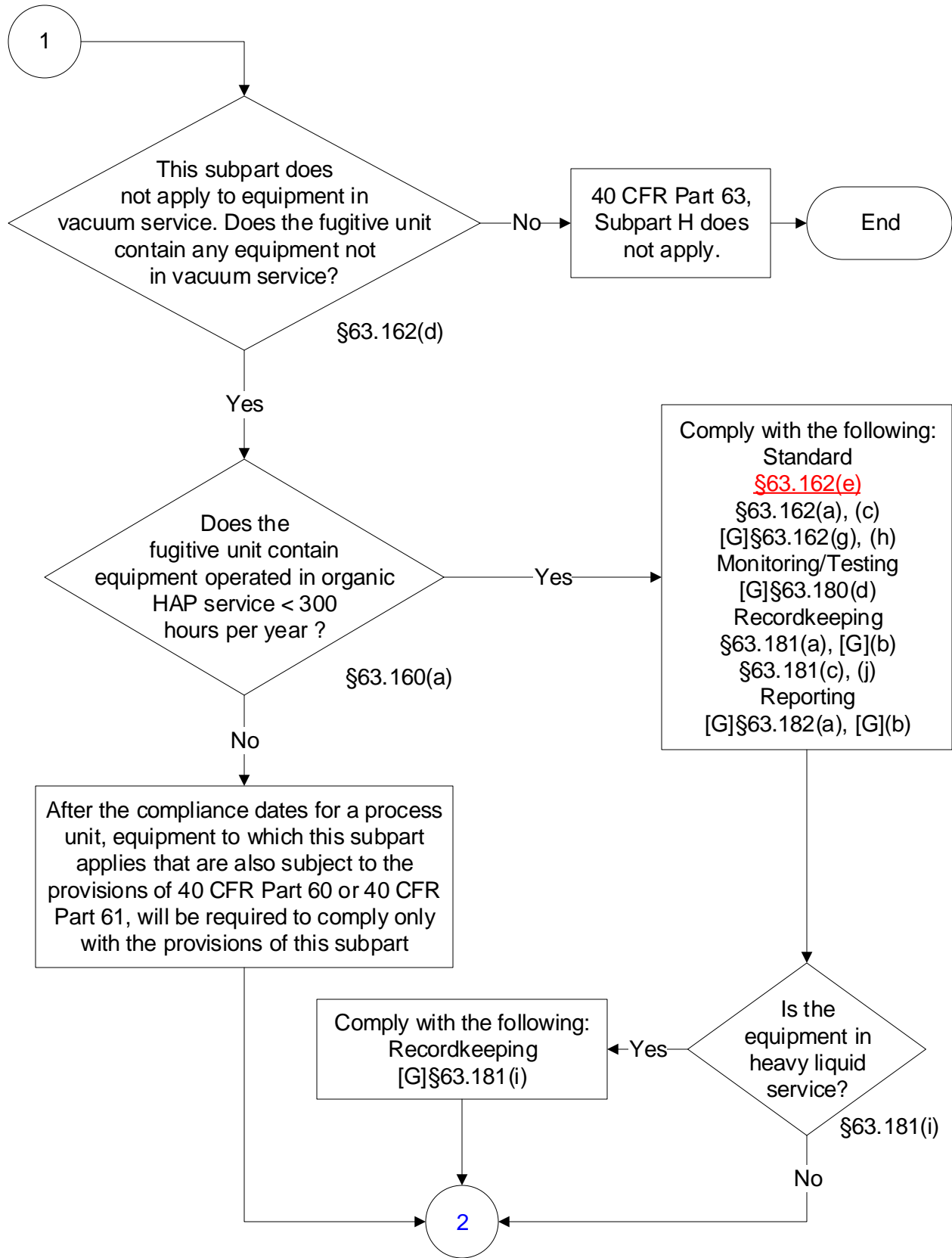
[40 CFR Part 63, Subpart H](#)

( 1 of 21 )



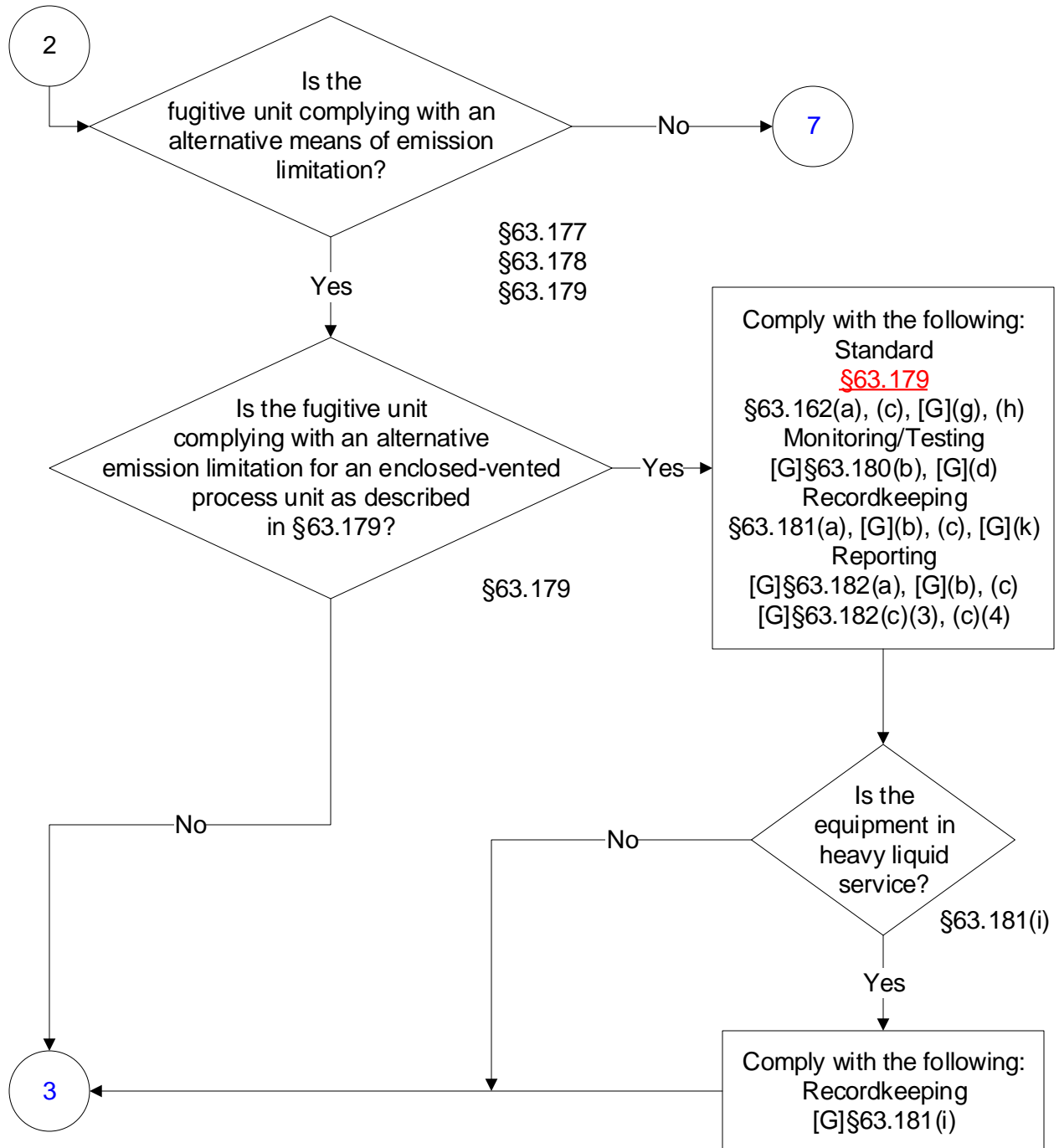
# 40 CFR Part 63, Subpart H

(2 of 21)



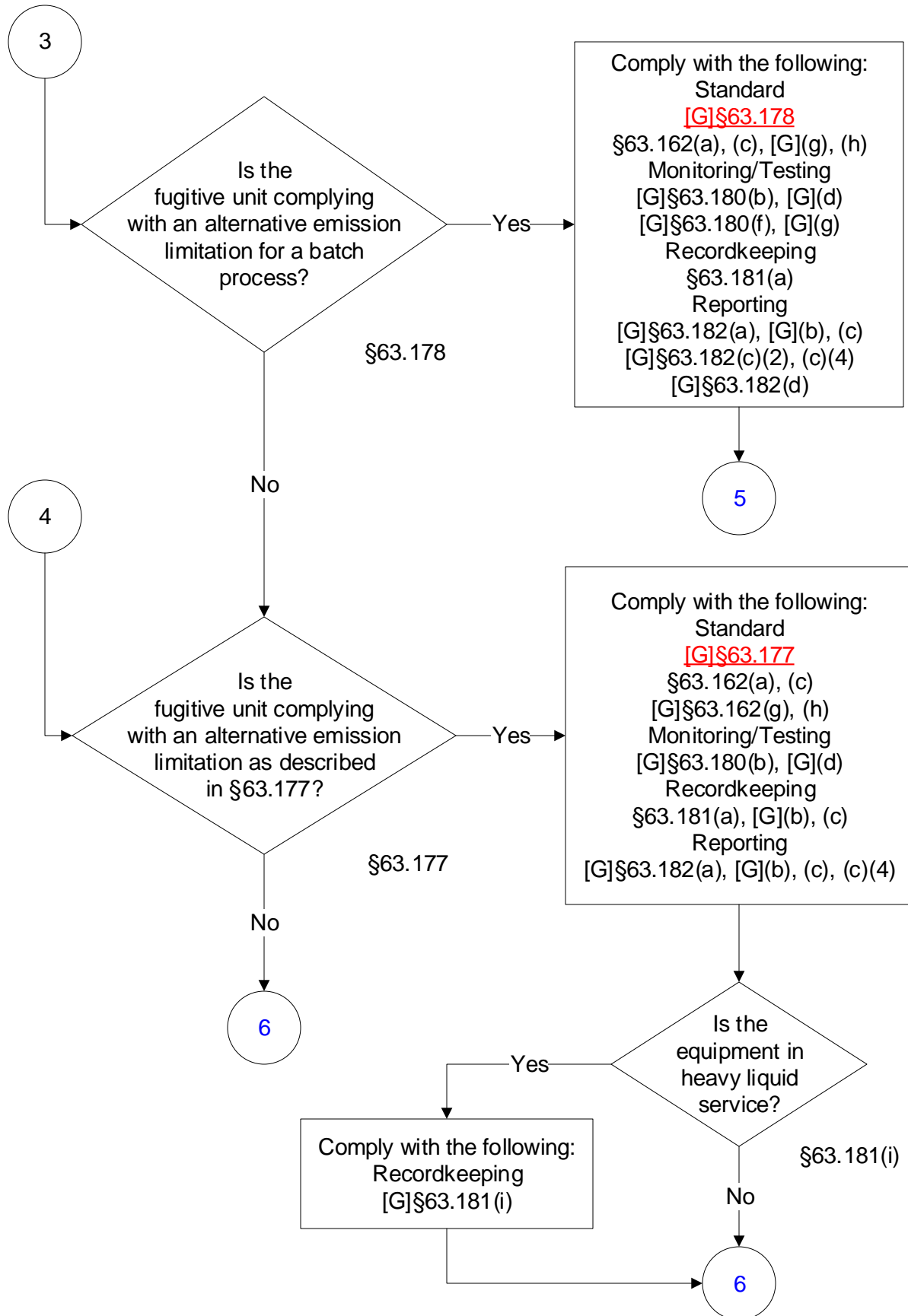
# 40 CFR Part 63, Subpart H

(3 of 21)



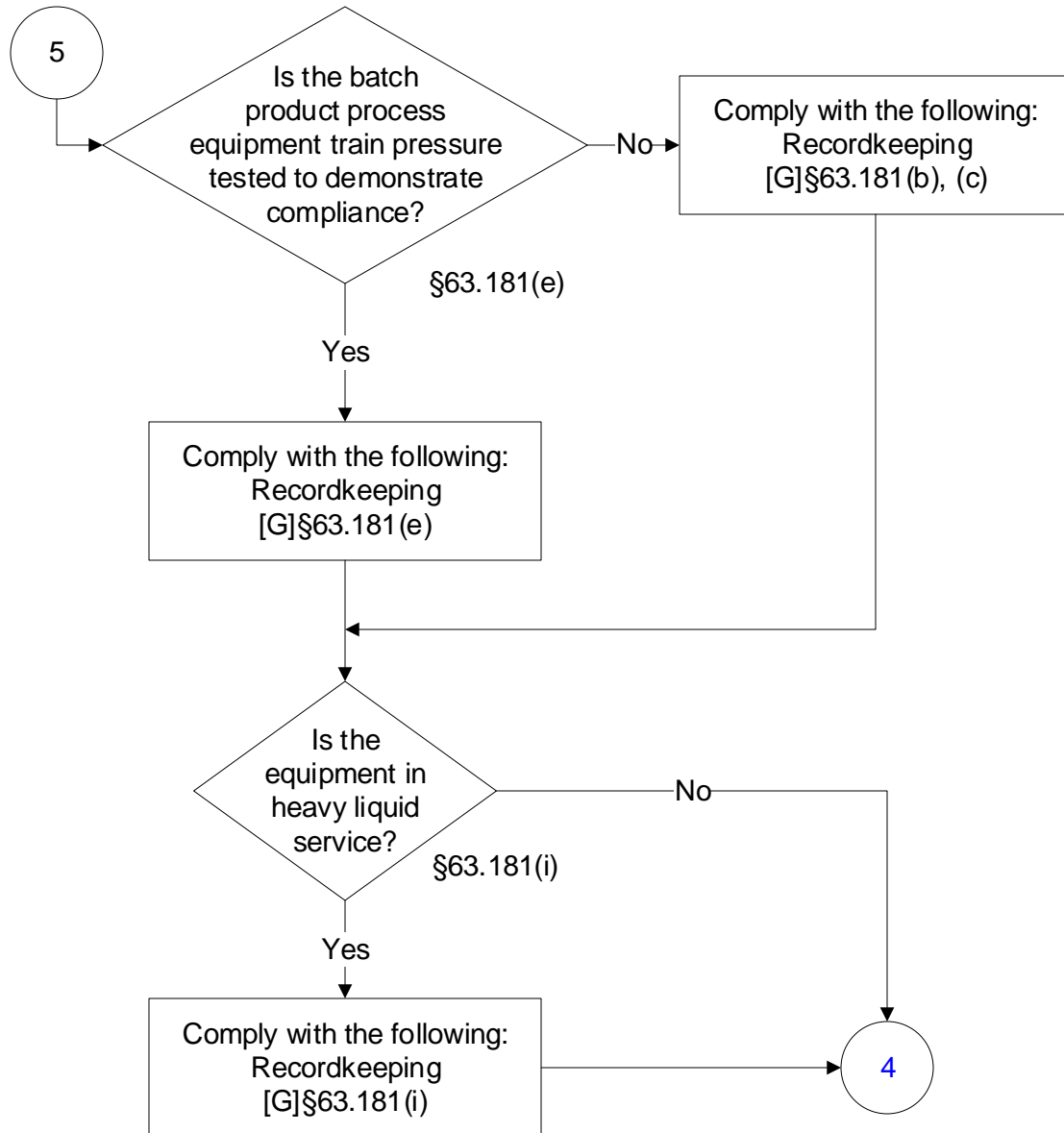
# 40 CFR Part 63, Subpart H

(4 of 21)



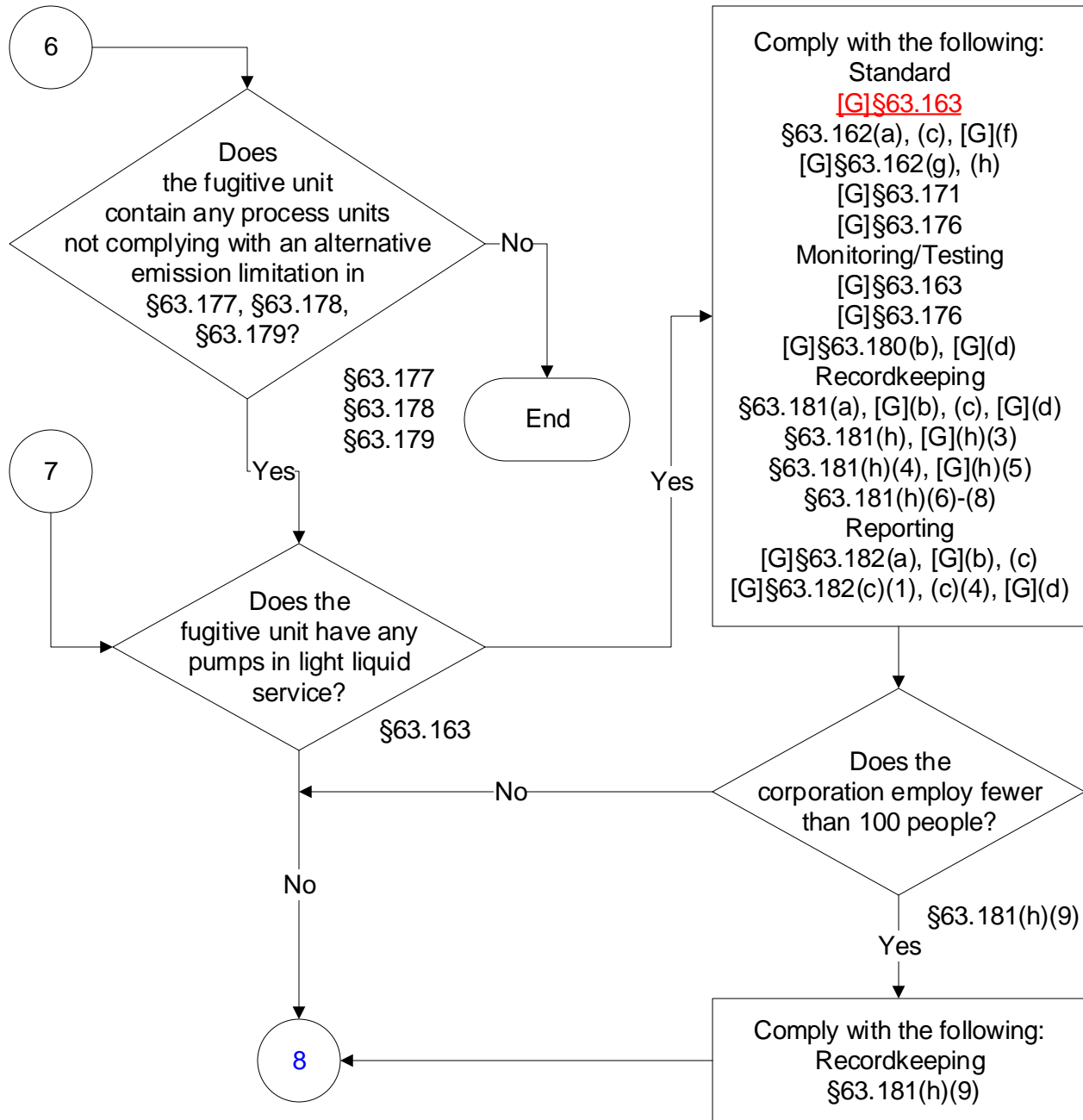
# 40 CFR Part 63, Subpart H

(5 of 21)



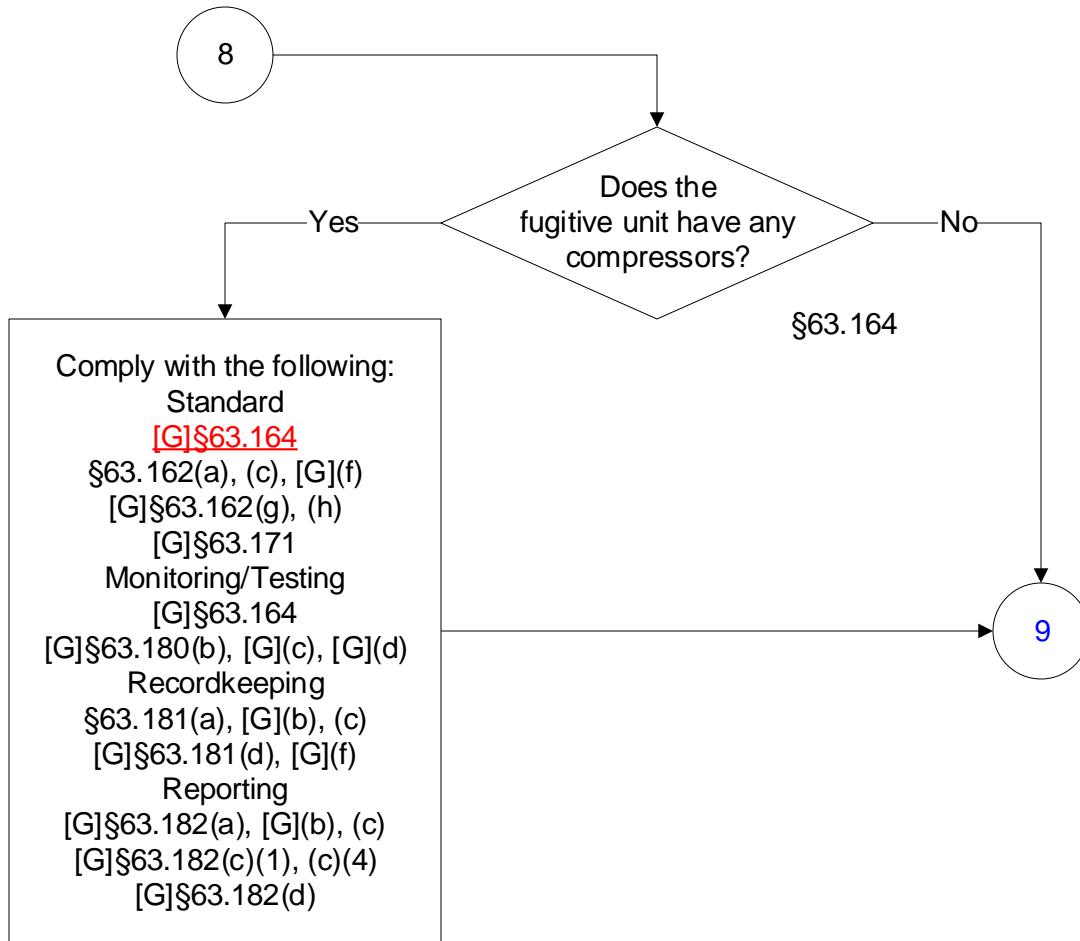
# 40 CFR Part 63, Subpart H

(6 of 21)



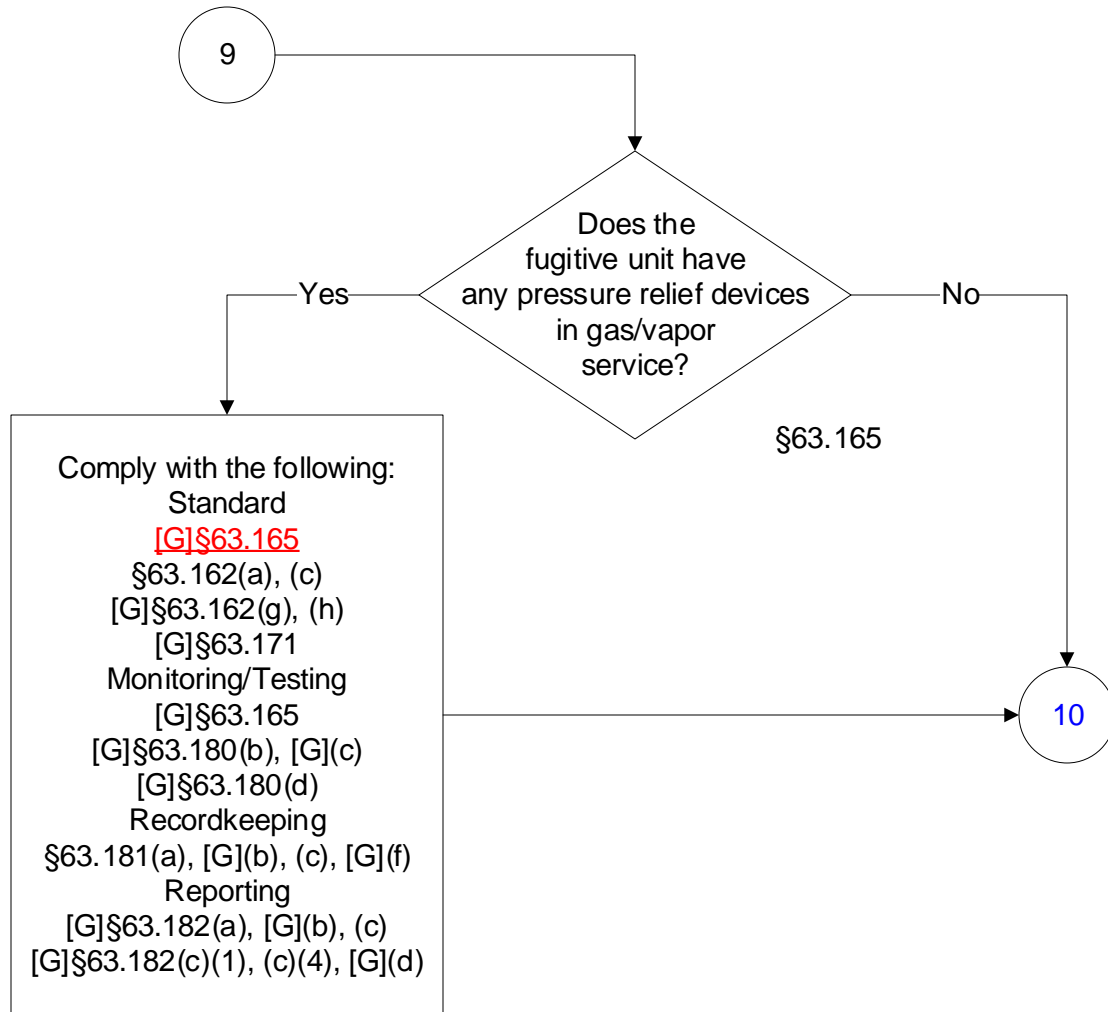
# 40 CFR Part 63, Subpart H

(7 of 21)



# 40 CFR Part 63, Subpart H

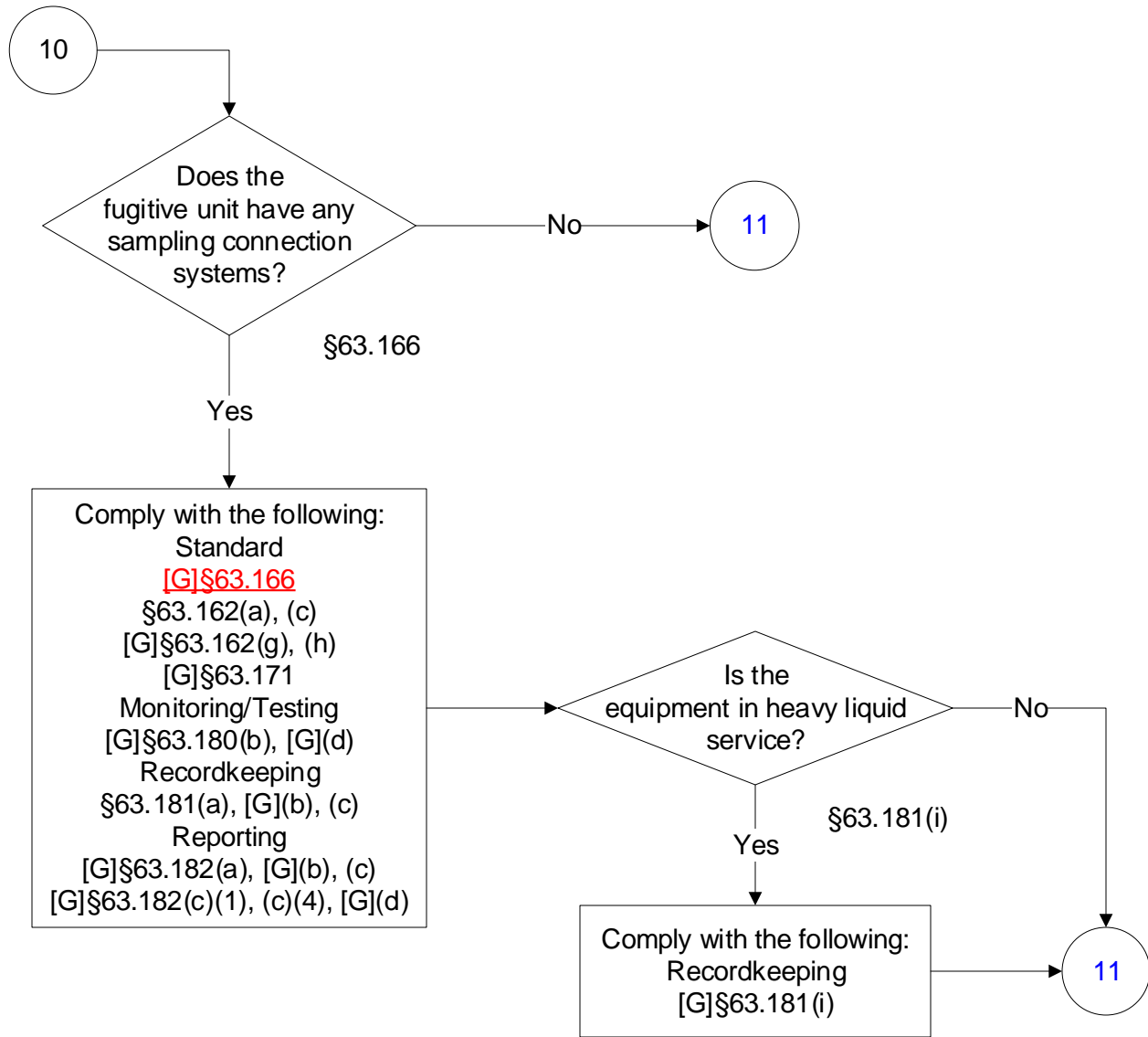
(8 of 21)





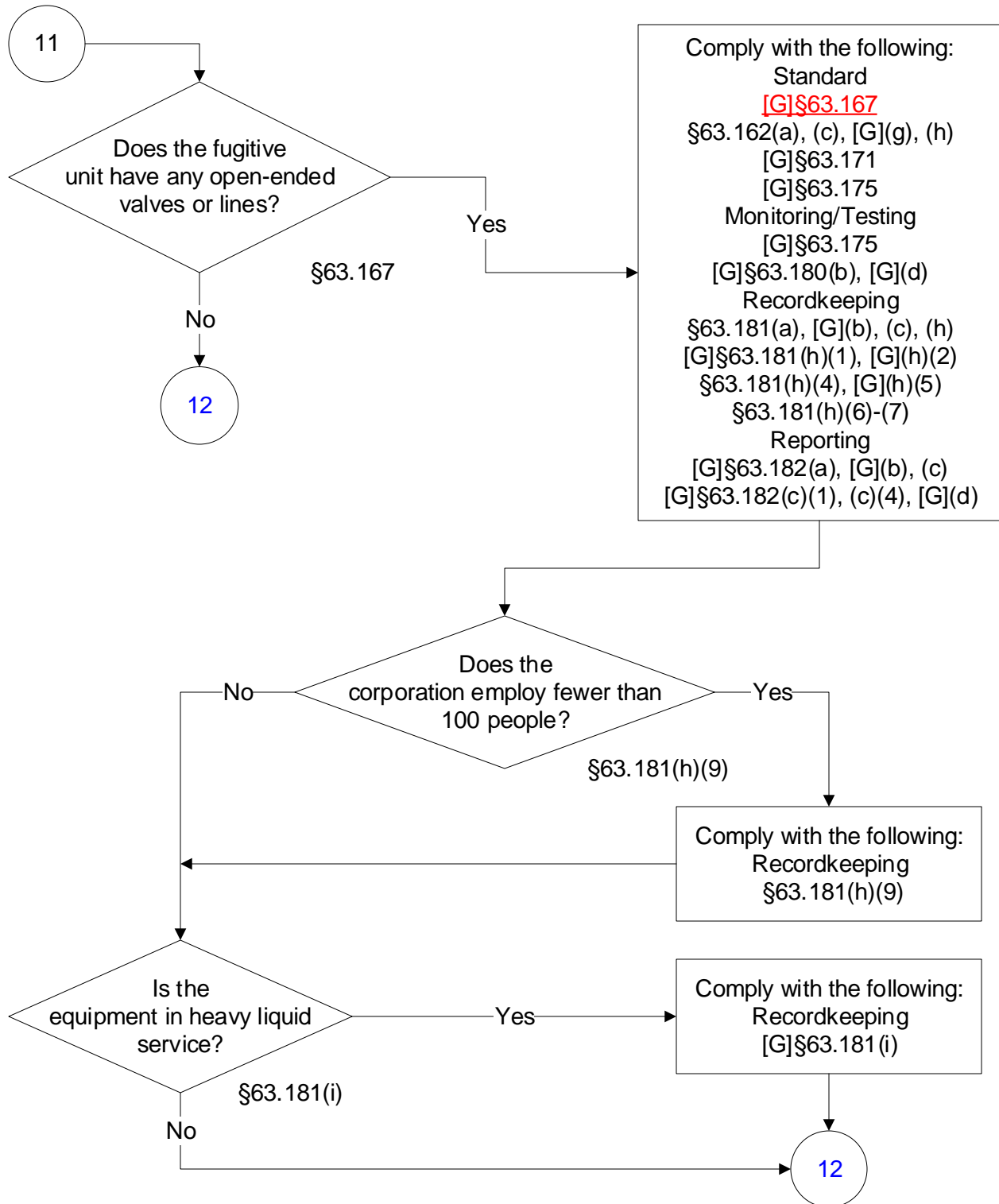
# 40 CFR Part 63, Subpart H

(9 of 21)



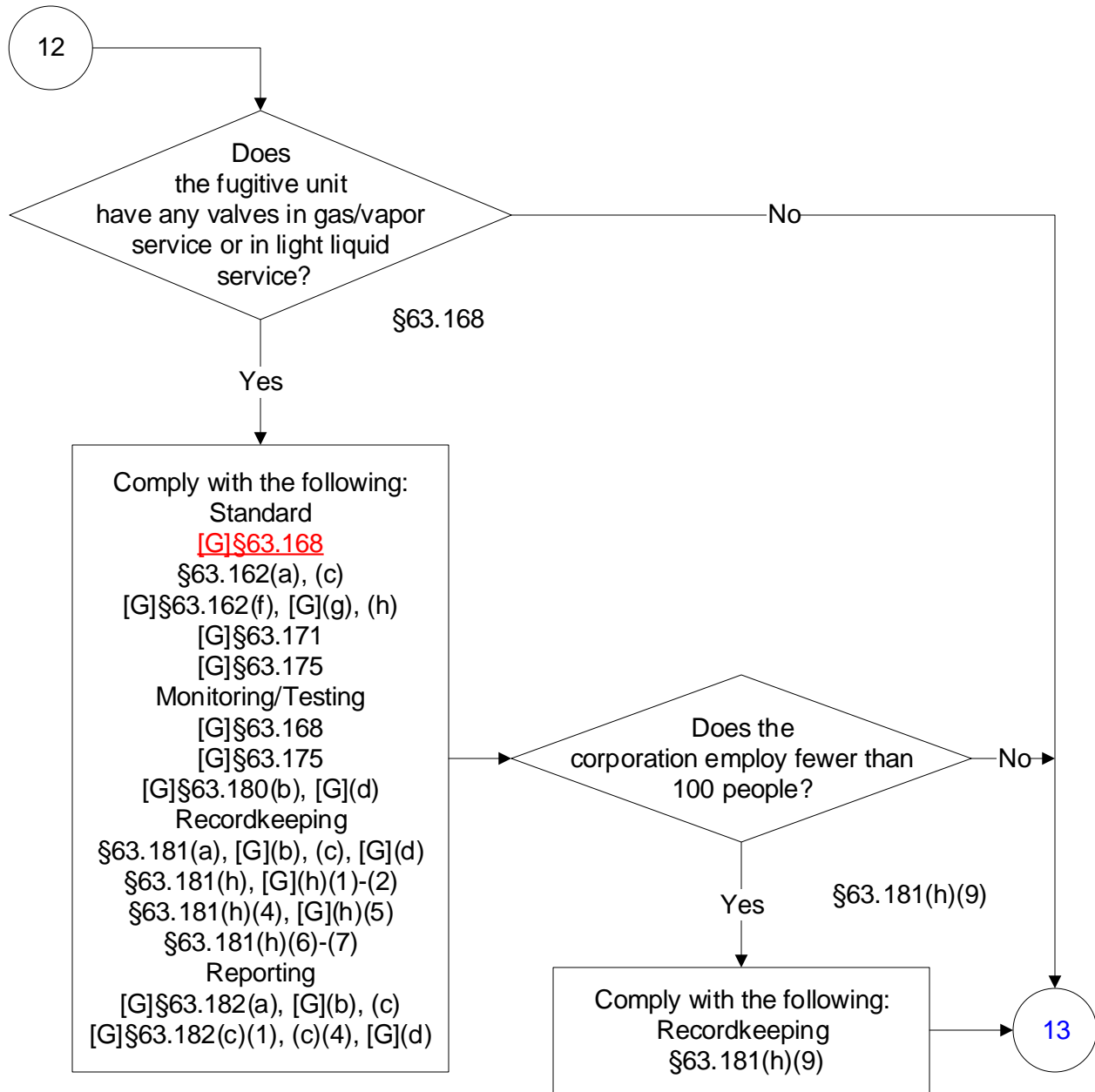
# 40 CFR Part 63, Subpart H

(10 of 21)



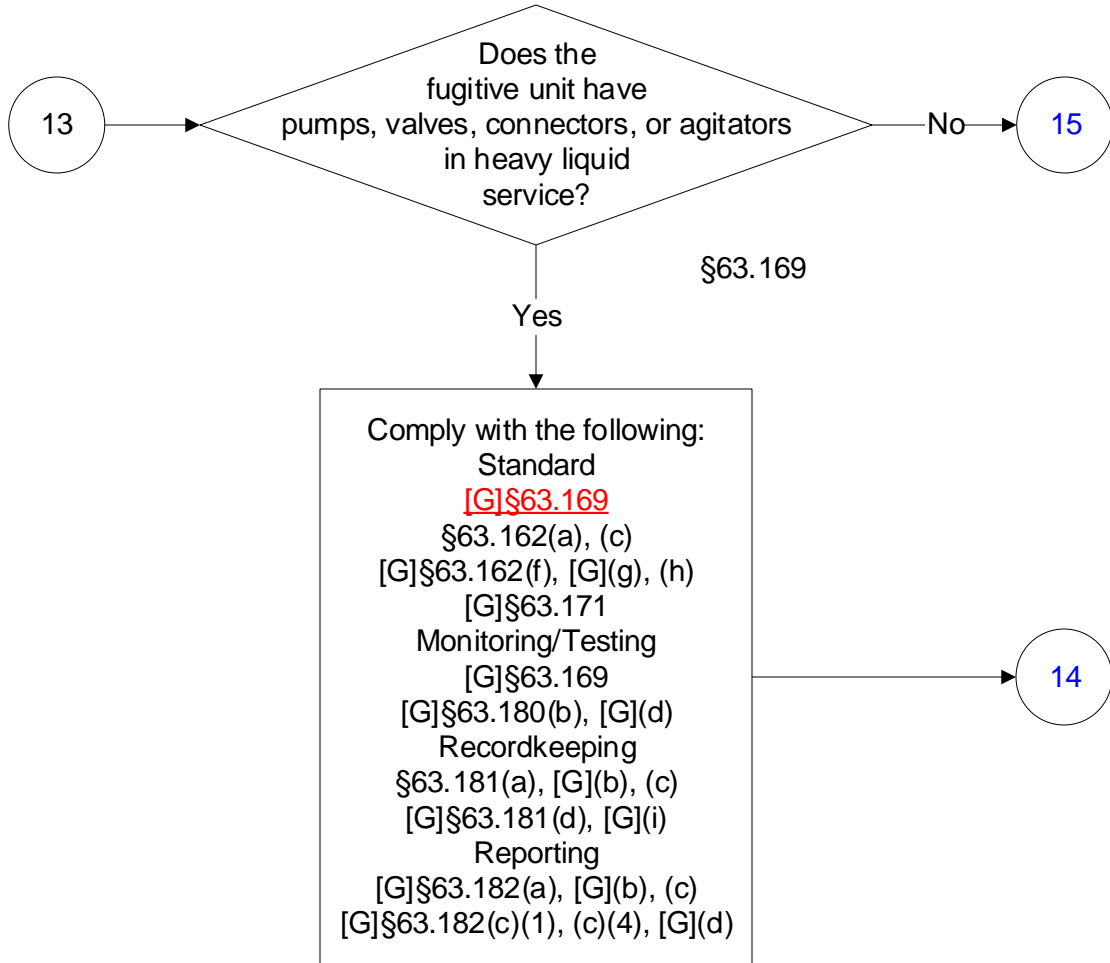
# 40 CFR Part 63, Subpart H

(11 of 21)



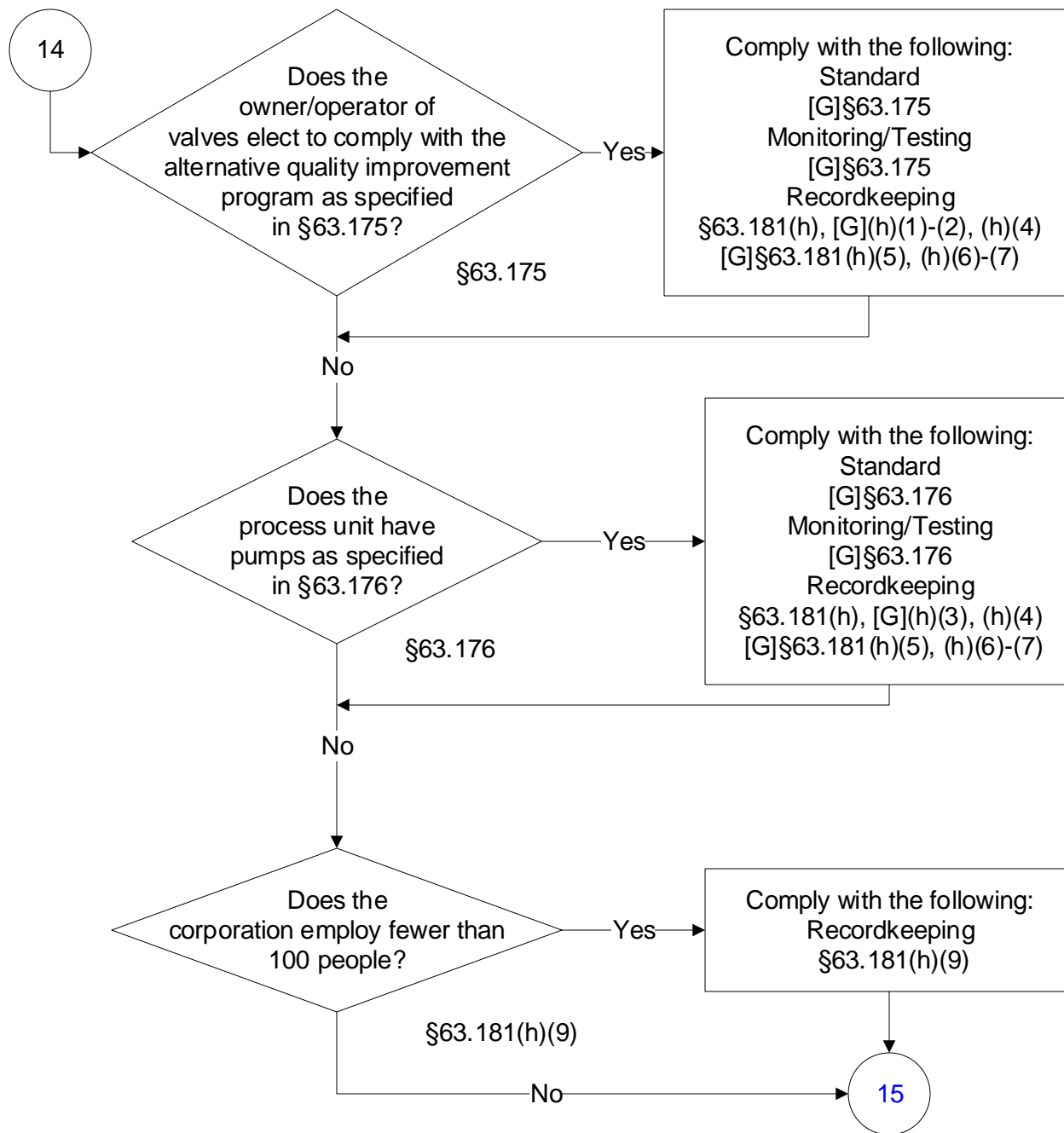
# 40 CFR Part 63, Subpart H

(12 of 21)



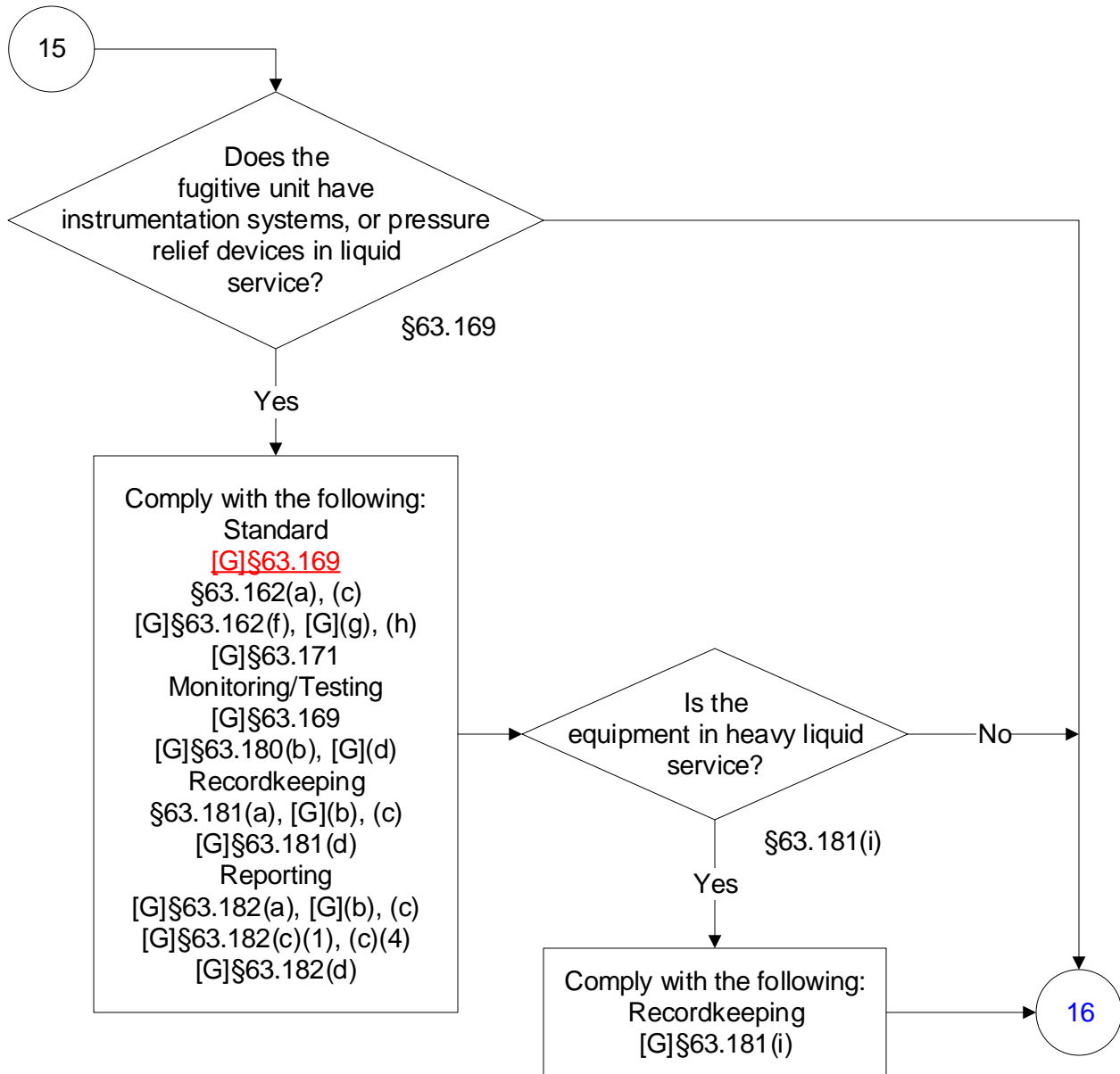
# 40 CFR Part 63, Subpart H

(13 of 21)



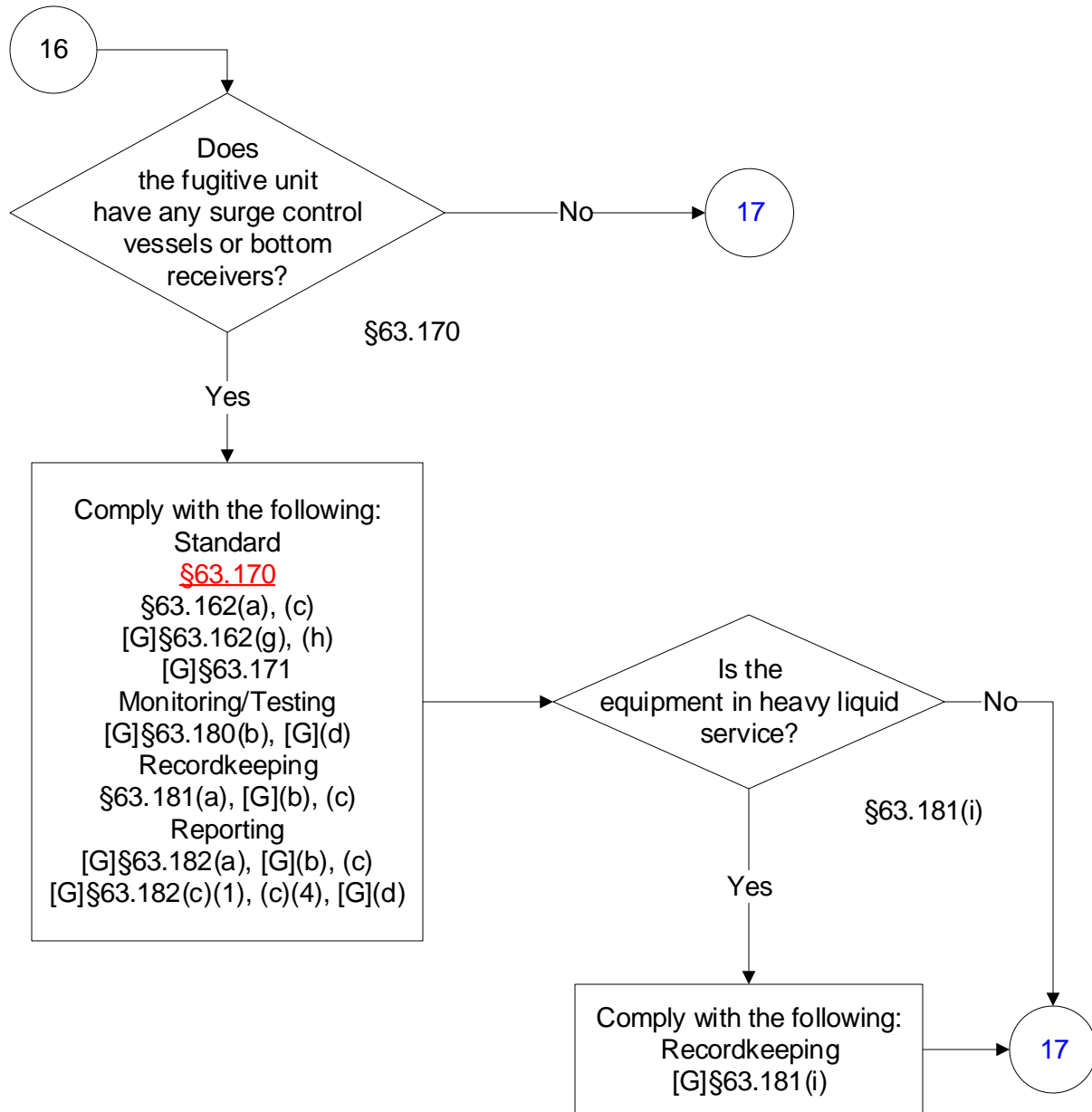
# 40 CFR Part 63, Subpart H

(14 of 21)



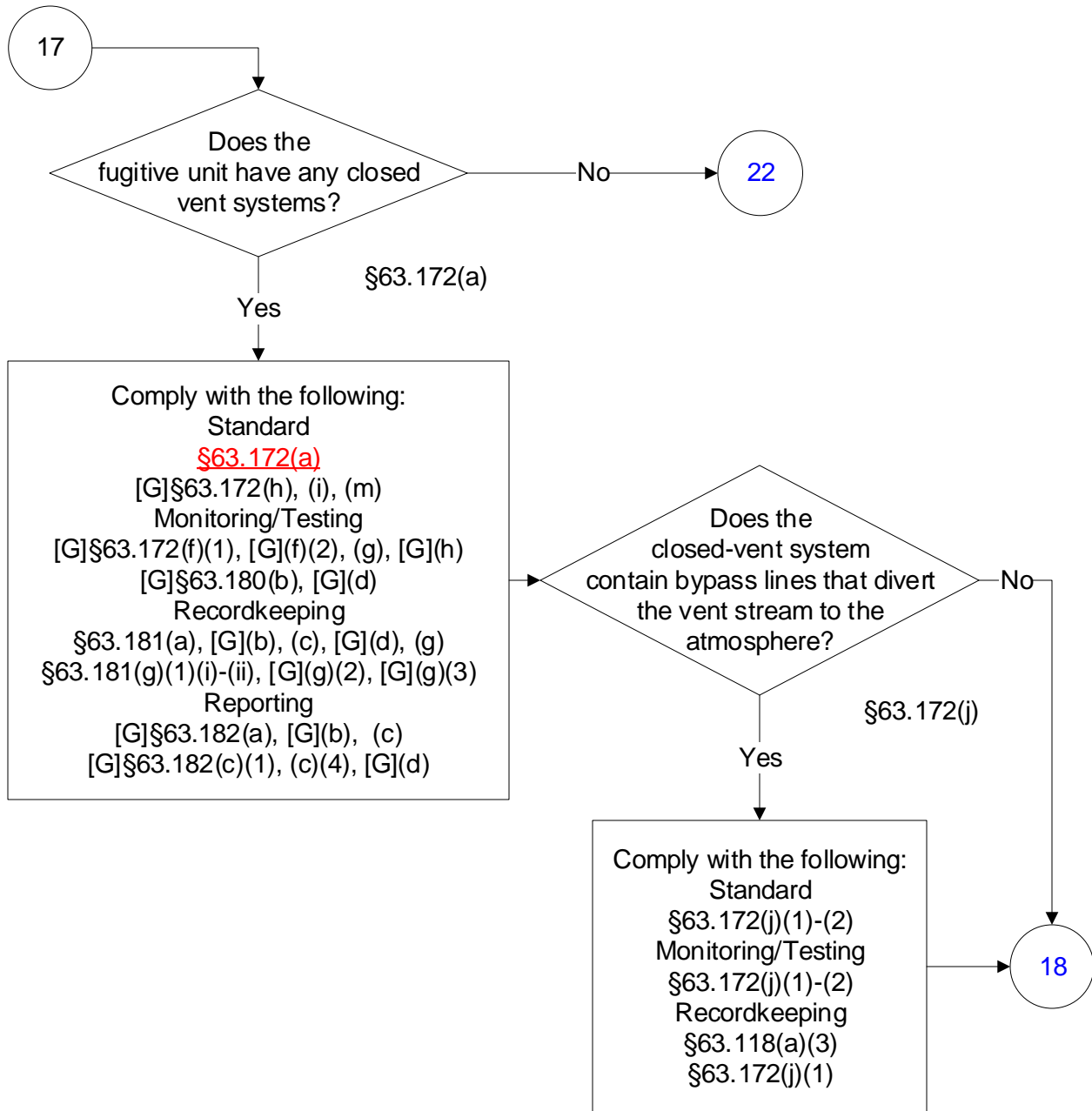
# 40 CFR Part 63, Subpart H

(15 of 21)



# 40 CFR Part 63, Subpart H

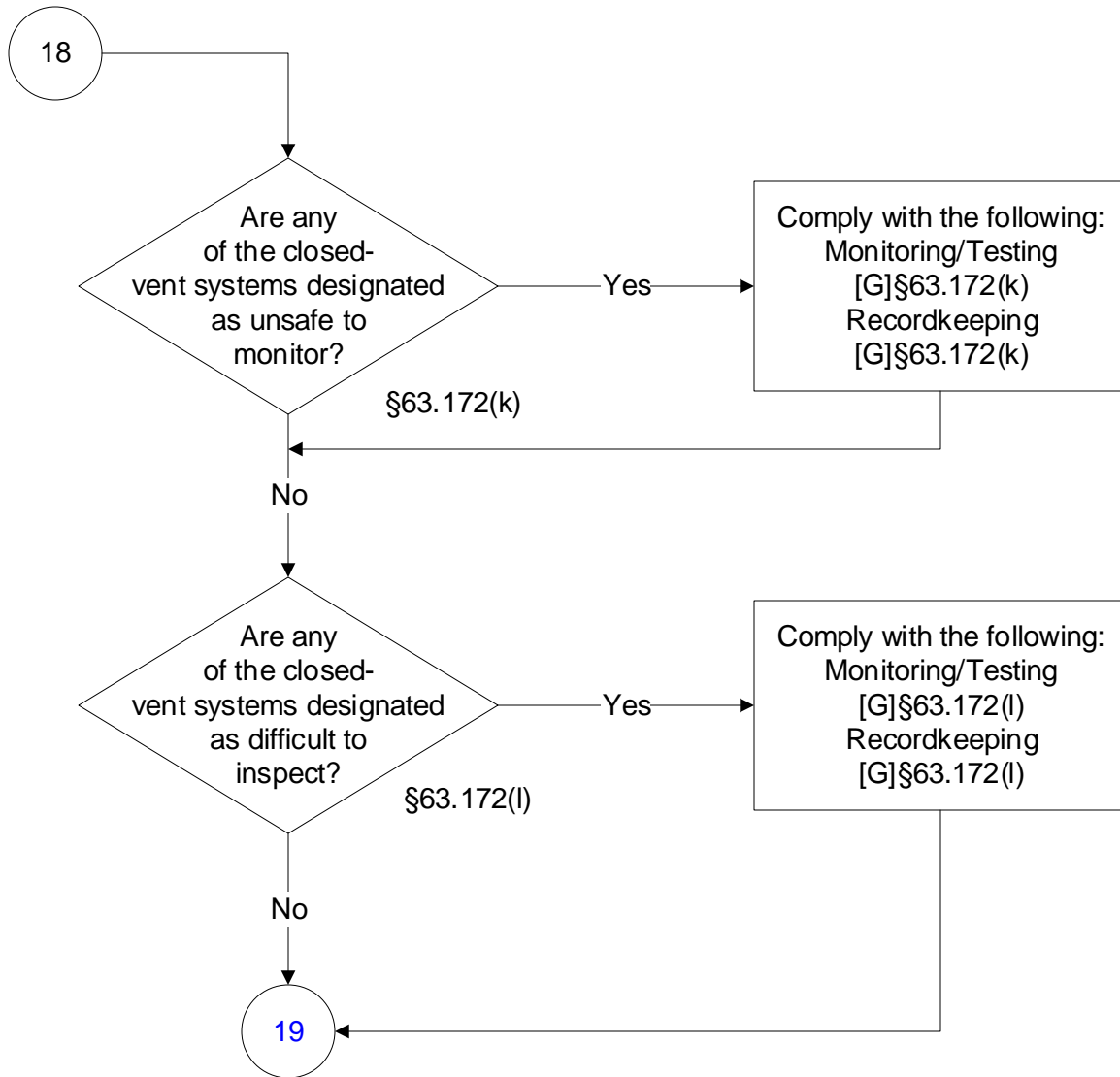
(16 of 21)





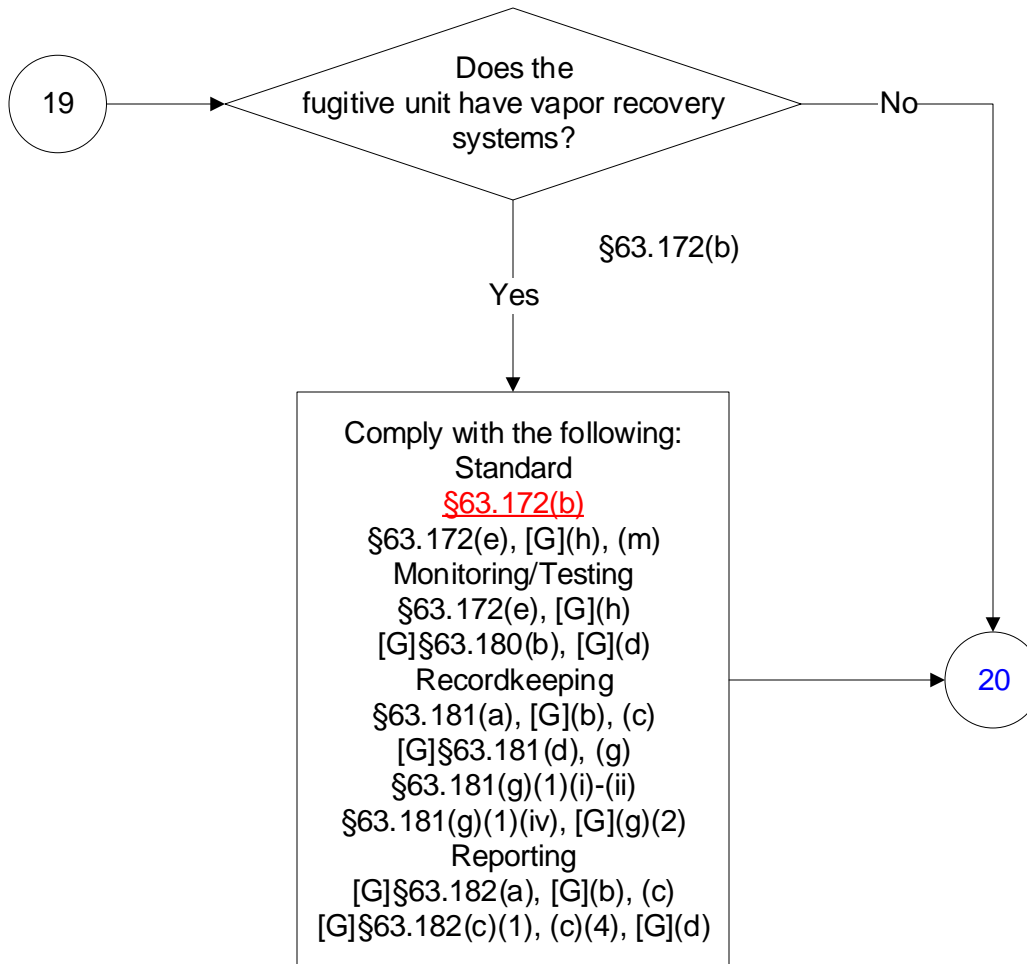
# 40 CFR Part 63, Subpart H

(17 of 21)



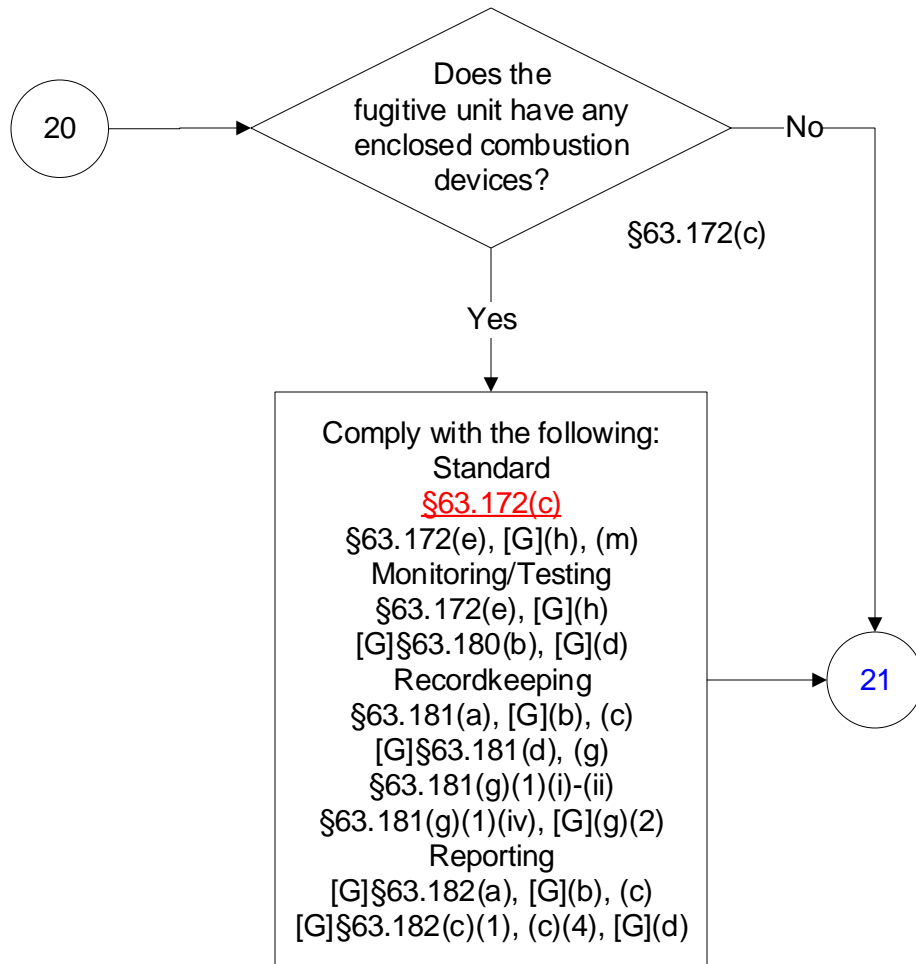
# 40 CFR Part 63, Subpart H

(18 of 21)



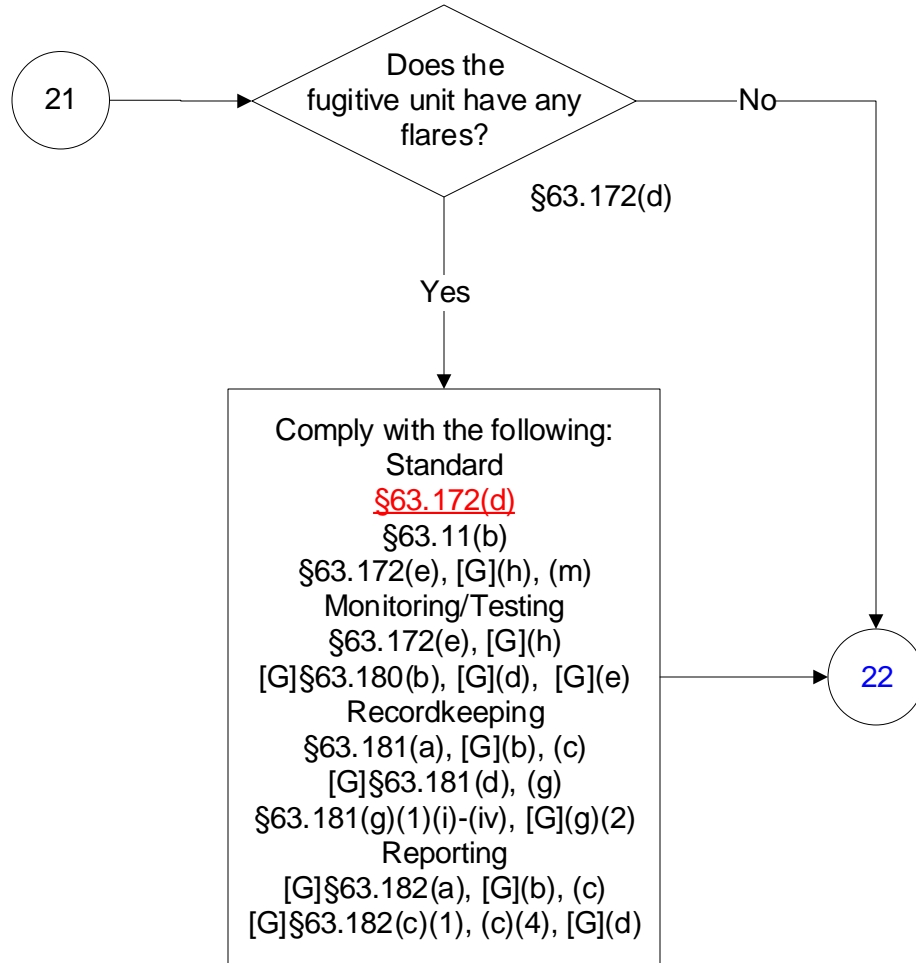
# 40 CFR Part 63, Subpart H

(19 of 21)



# 40 CFR Part 63, Subpart H

(20 of 21)



# 40 CFR Part 63, Subpart H

(21 of 21)

