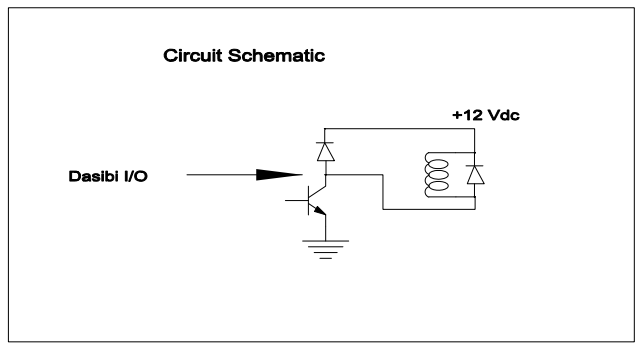
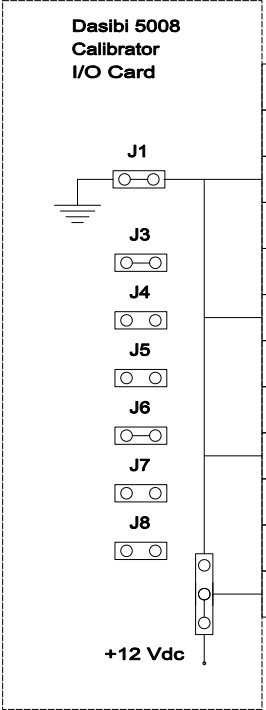
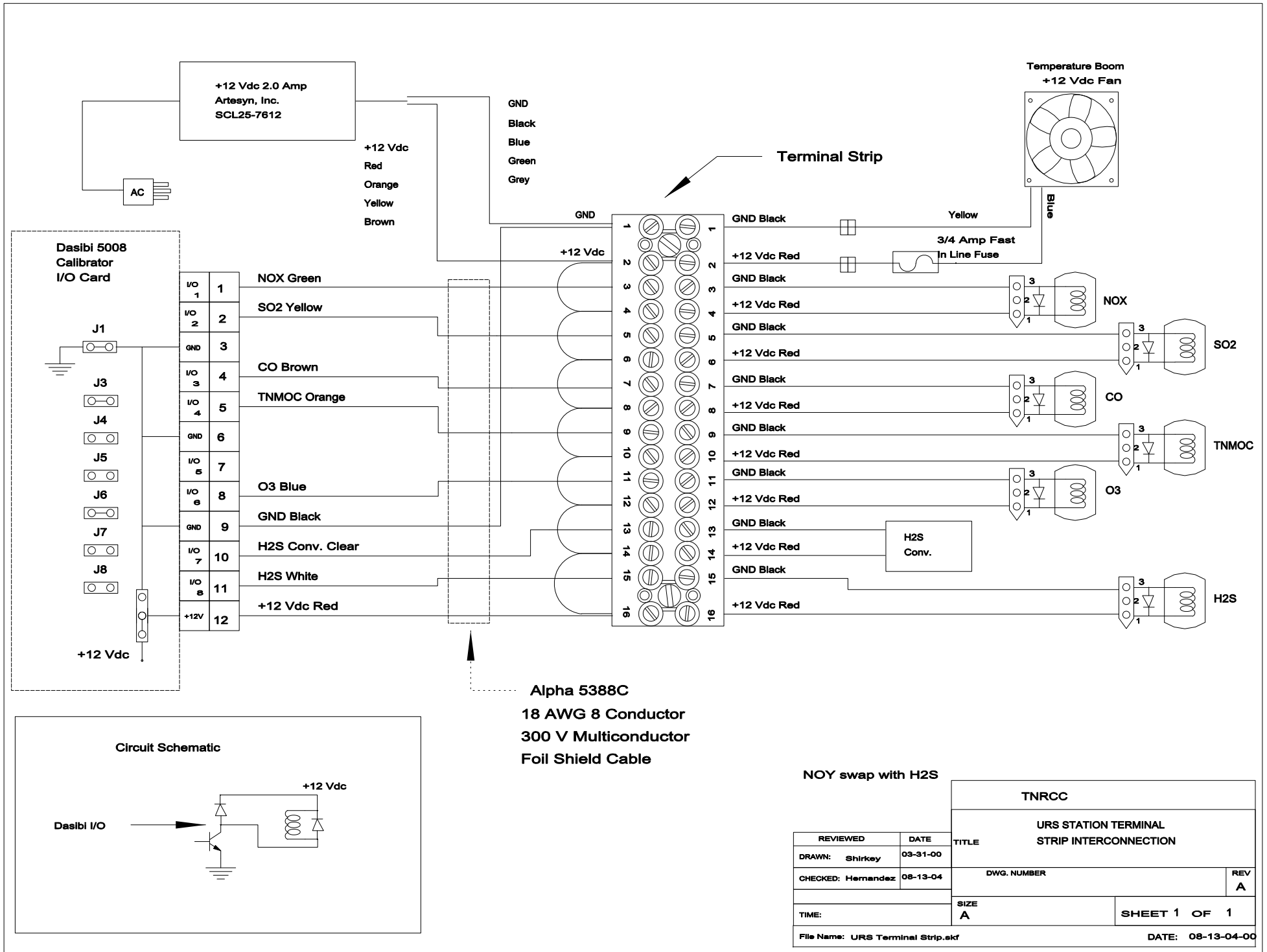


URS Station Terminal Strip Interconnection



NOY swap with H2S

| REVIEWED | | DATE | TITLE | |
|-----------------------------------|--|--------------|--|-------------------|
| DRAWN: Shirkey | | 03-31-00 | TNRCC | |
| CHECKED: Hernandez | | 08-13-04 | URS STATION TERMINAL STRIP INTERCONNECTION | |
| TIME: | | SIZE A | DWG. NUMBER | REV A |
| File Name: URS Terminal Strip.ekf | | SHEET 1 OF 1 | | DATE: 08-13-04-00 |