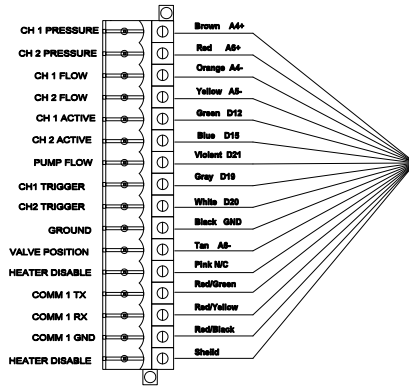
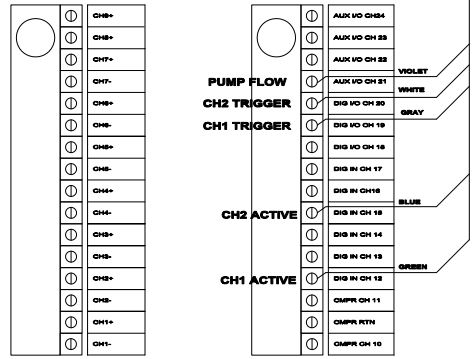
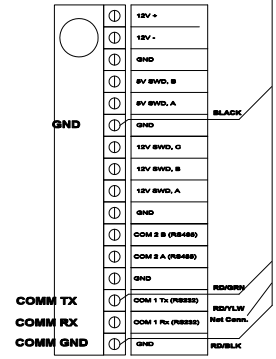
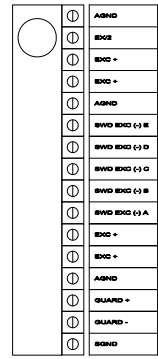
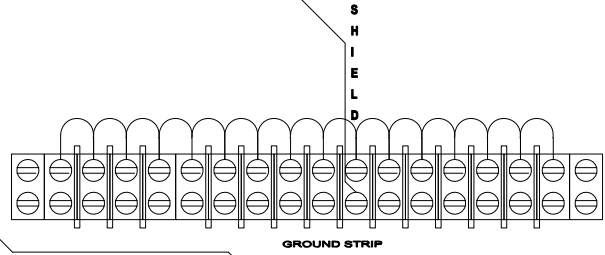
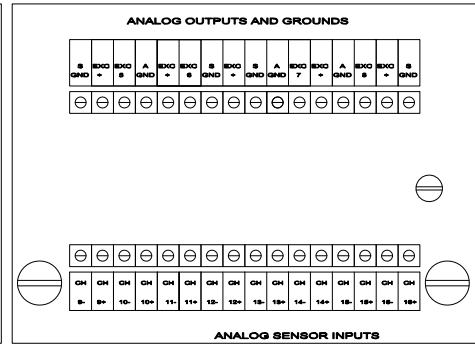
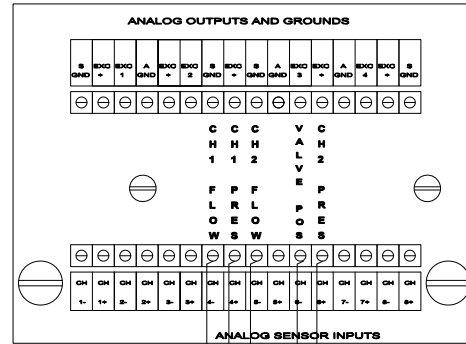


# ACSS ZENO Panel Wiring



Cable:  
**MANHATTAN/CDT**  
**M4668**  
**15CDR 20 AWG (7/28) O/A**  
**Foil Shld 300V CM**  
**GRY**



Note: Rev.F is only disconnecting the red/yellow wire from com 1 RX (R8232) on J2.

REVIEWED	DATE	<b>TCEQ</b>
DRAWN: Shirkey	11-05-03	
CHECKED: Hernandez	11-05-03	
CHECKED: Watson	07-30-03	
CHECKED: Smith	07-30-03	
CHECKED: Braun	07-30-03	<b>ACSS Zeno Panel Wiring</b>
TIME:		DWG. NUMBER
FILE Name: ACSS zeno panel Rev F		REV <b>F</b>
SIZE <b>A</b>		SHEET 1 OF 1
DATE: 11-05-03		