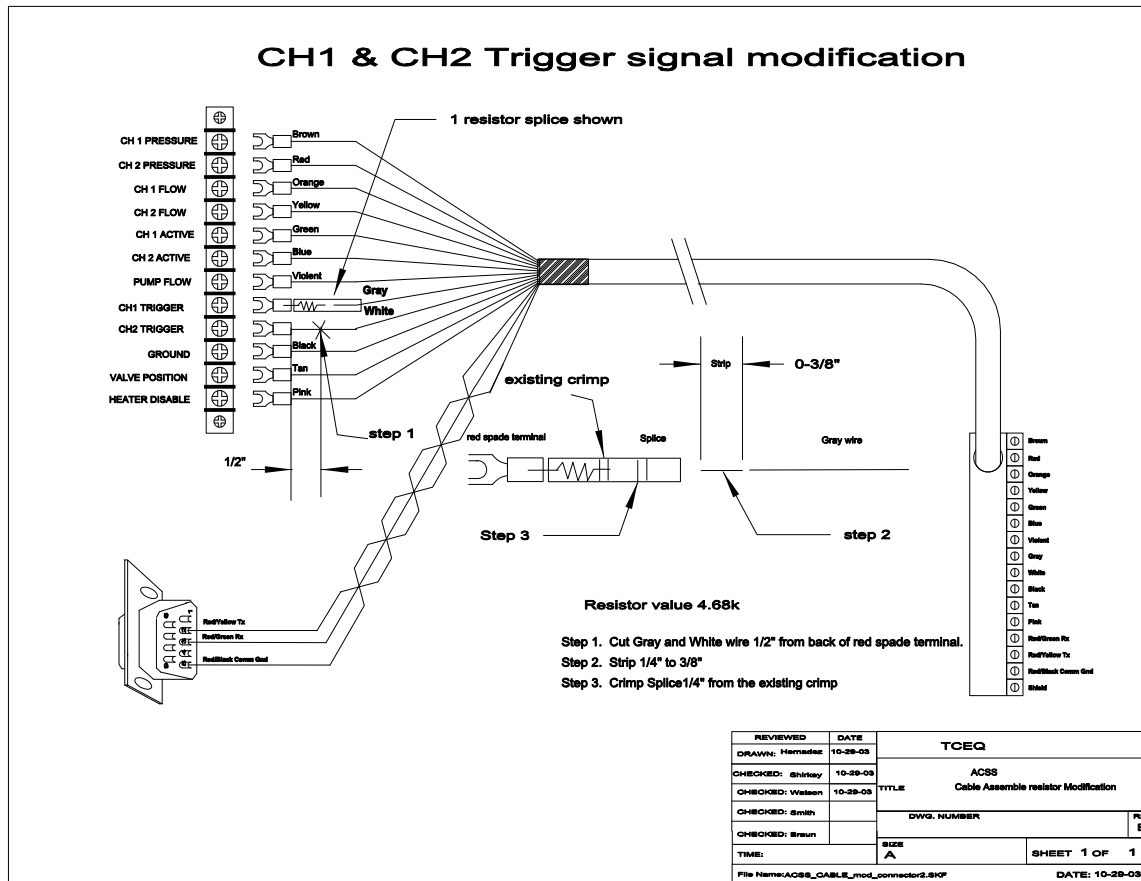
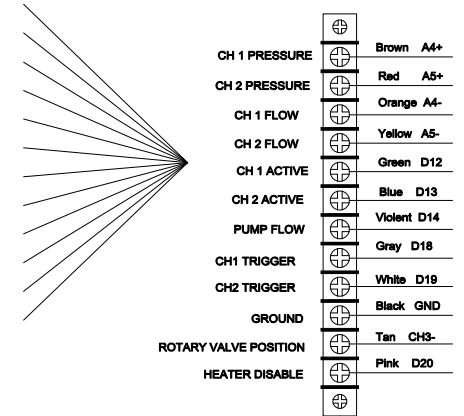


CH1 & CH2 Trigger Signal Modification



- CH 1 PRESSURE
- CH 2 PRESSURE
- CH 1 FLOW
- CH 2 FLOW
- CH 1 ACTIVE
- CH 2 ACTIVE
- PUMP FLOW
- CH1 TRIGGER
- CH2 TRIGGER
- GROUND
- VALVE POSITION
- HEATER DISABLE



- Brown A4+
- Red A5+
- Orange A4-
- Yellow A5-
- Green D12
- Blue D13
- Violent D14
- Gray D18
- Tan D19
- White D19
- Black GND
- Red/Yellow Tc
- Tan CH3-
- Pink D20
- Red/Gm

1/4" Stripped & Thread