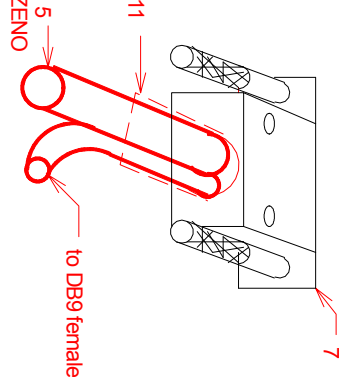
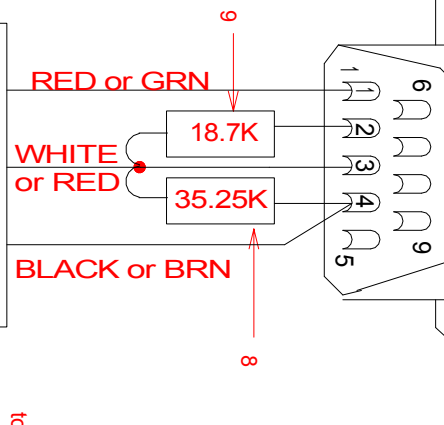
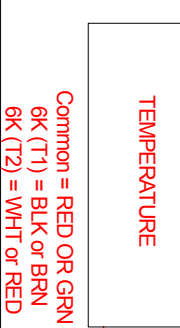


CONNECTOR	COLOR	SIGNAL NAME	LOCATION
DB25P-25	purple	TEOM 90% LOAD	2.5 TEOM
Contact Closure 2	gray	LOAD GND	Sutron, DIO 1 CH6
DB25P-13	gray	LOAD GND	Sutron, DIO 1 GND
DB25P-1	red	MASS	Sutron, AIO 1 CH7
DB25P-14	black	MASS GND	Sutron, AIO 1 CH8
DB25P-24	blue	TEOM STATUS	Sutron, DIO 1 CH5
DB25P-12	white	STATUS GND	Sutron, DIO 1 GND
DB9S-1	yellow	TEMP +2.5V EXC	Sutron, AIO 1 VREF
DB9S-2	orange	TEMP GND	Sutron, AIO 1 GND
DB9S-3	green	TEMP SIGNAL	Sutron, AIO 1 CH2
NOT CON.	brown	NOT USED, SPARE, cut off	
NOT CON.	shield	NOT USED, SPARE, cut off	



ITEM	QTY	DESCRIPTION
1	1	temperature probe, climatronics, tnrc 12-024
2	2	connector, DB25 male, solder cup, tnrc 102-???
3	3	connector, DB9 male, solder cup, tnrc 102-089
4	4	connector, DB9 female, solder cup, tnrc 102-088
5	5	cable, 10 conductor, 24 awg., tnrc supply
6	2	hood, DB9, tnrc 102-090
7	1	hood, DB25, tnrc 102-???
8	1	resistor, 35.25K 1/4 w, tnrc 12-044
9	1	resistor, 18.7K 1/4 w, tnrc 12-045
10	15	heat shrink, 1/8" x 81/2", altex
11	1	heat shrink, 3/8" x 3", altex
12	2	spacer, hex, 1/4" x 3/16", 4-40
13		



REVIEWED	DATE
HERNANDEZ	8-29-16
CHECKED: P. Boydston	8-29-16
FILE NAME:	Sutron TEOM 1405 SKF

TITLE	DATE	SHEET	OF
Sutron TEOM 1405 TEMP CABLE ASSEMBLY	12-14-16	1	1