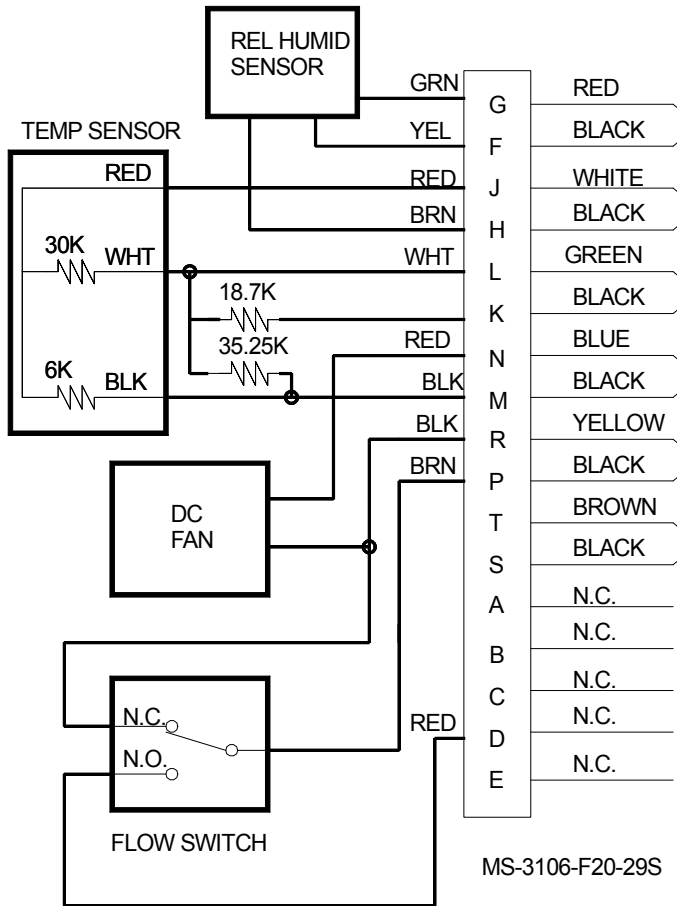


Dew Point and Temp Cable

SENSOR BOOOM



FUNCTION

SUTRON

Terminal	Color	Function	Color	Sutron Connection
G	RED	REL. HUMID. RETURN	RED	GND PS - 10
F	BLACK	REL. HUMID. PWR.	BLACK	12V PS - 5
J	WHITE	TEMP 2.5 V EXC.	WHITE	AIO 1 VREF
H	BLACK	REL. HUMID. SIGNAL	BLACK	AIO 1 CH3
L	GREEN	TEMP SIGNAL	GREEN	AIO 1 CH4
K	BLACK	TEMP EXC. RETURN	BLACK	AIO 1 AGND
N	BLUE	12VDC	BLUE	12V PS - 7
M	BLACK	node at boom	BLACK	DO NOT CONNECT
R	YELLOW	GND	YELLOW	GND PS - 11
P	BLACK	SAIL SWITCH SIGNAL	BLACK	DIO 1 CH3
T	BROWN	NONE	BROWN	NOT CONNECT
S	BLACK	NONE	BLACK	NOT CONNECT
A	N.C.			
B	N.C.			
C	N.C.			
D	N.C.			
E	N.C.			
		shield	WHITE/BLACK	GROUND TERMINAL

Dew Point/ Temp Cable

Note: CAMS 70 Grapevine as of today has this cable

TNRCC

REVIEWED	DATE	TITLE	Dew Point and Temp Cable RELATIVE HUMIDITY 6 TWISTED PAIR	
DRAWN: R. HERNANDEZ	4/15/14			
CHECKED: M. NELSEN	4/15/14			
File Name: Sutron temp6pr.skf	SIZE A	DWG. NUMBER		REV