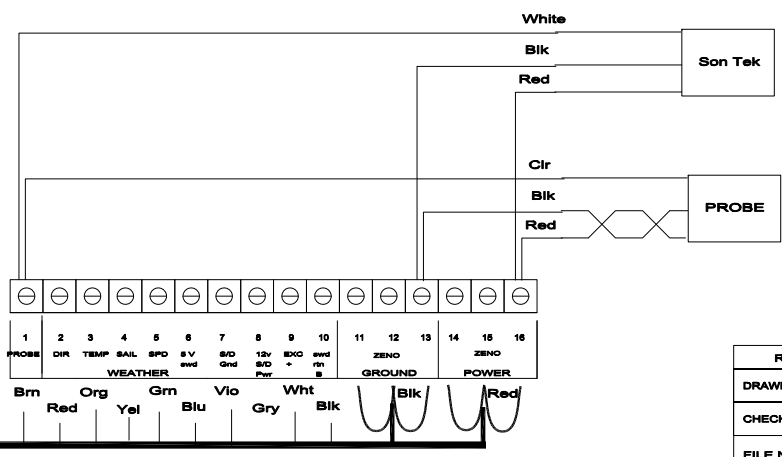
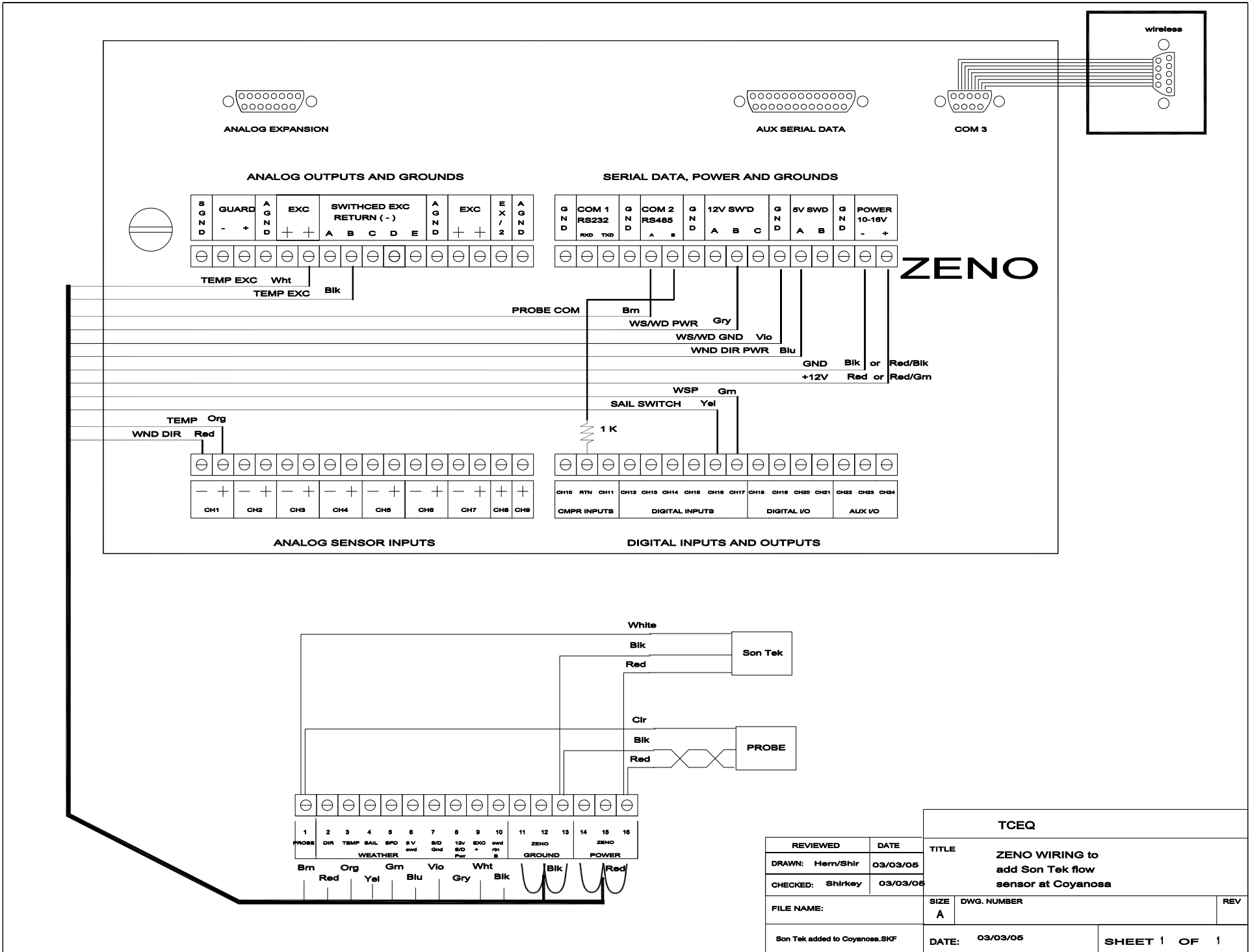


ZENO Wiring



REVIEWED		DATE	TCEQ		
DRAWN: Hem/Shir		03/03/05	TITLE		
CHECKED: Shirkey		03/03/05	ZENO WIRING to add Son Tek flow sensor at Coyanosa		
FILE NAME:		SIZE	DWG. NUMBER		REV
Son Tek added to Coyanosa.SKF		A			
DATE: 03/03/05		SHEET 1 OF 1			