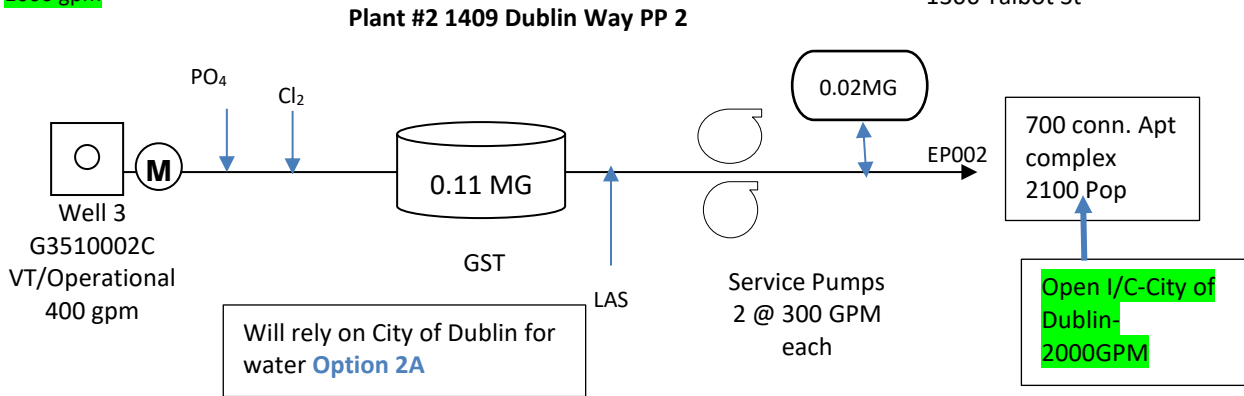
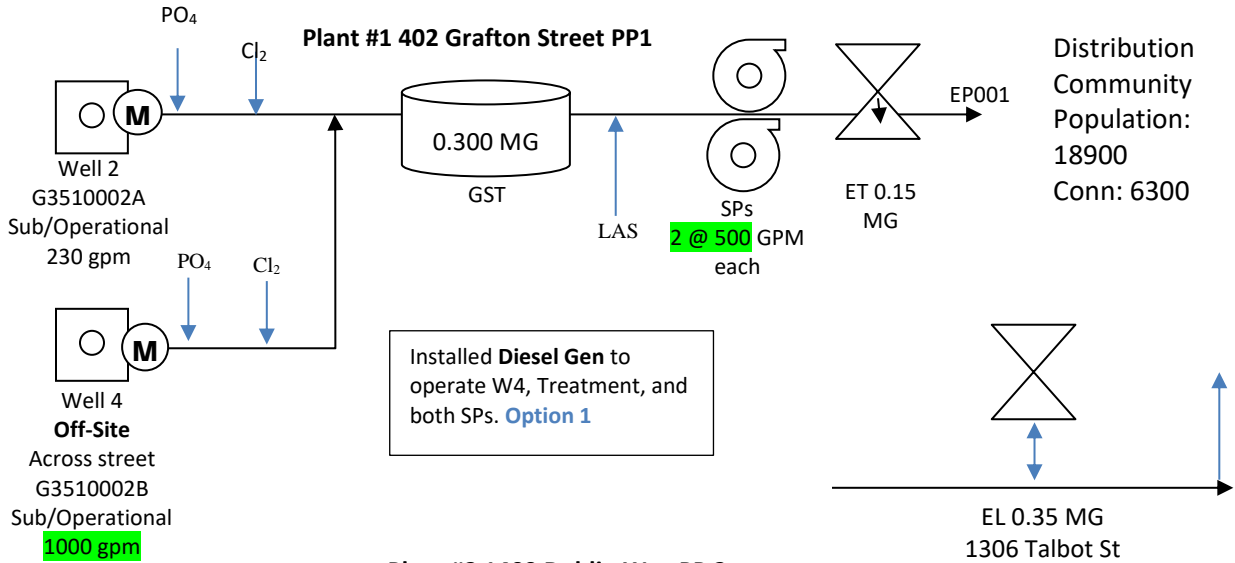
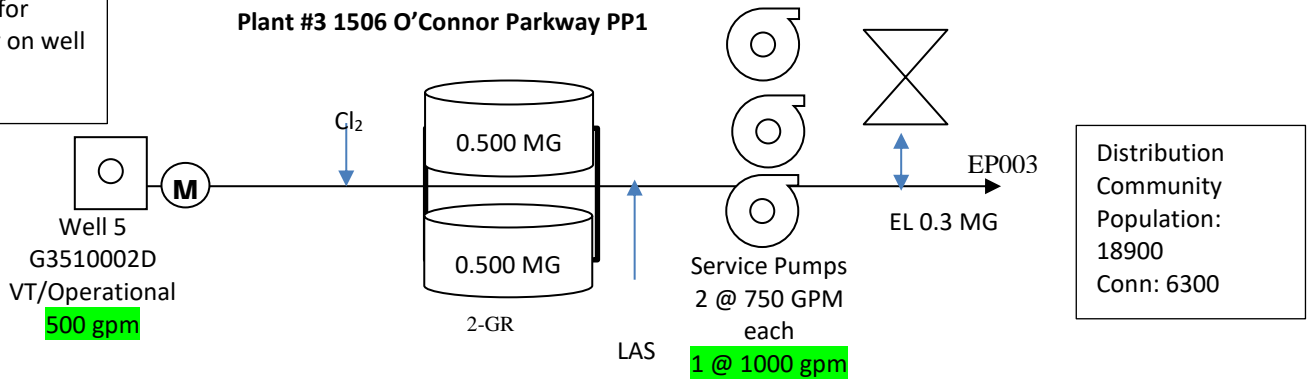


PWS - SYSTEM FLOW DIAGRAM

Name of System:	City of Galway	Additional ID:	3510002
Description of Sources, Treatment, Entry Points and Distribution Labelling: owner's source names and TCEQ water source code designation, types of treatment and chemicals, entry points to distribution, entry point sample taps, booster disinfection, distribution connections and layout.			



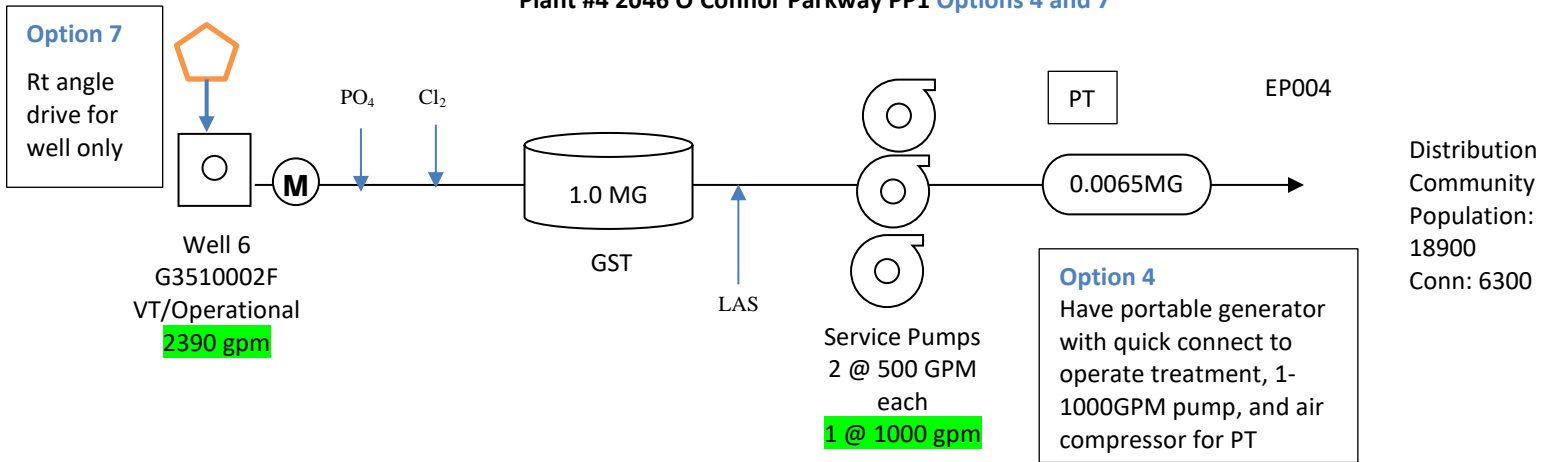
Options 2B Using TXWARN for generator on well only



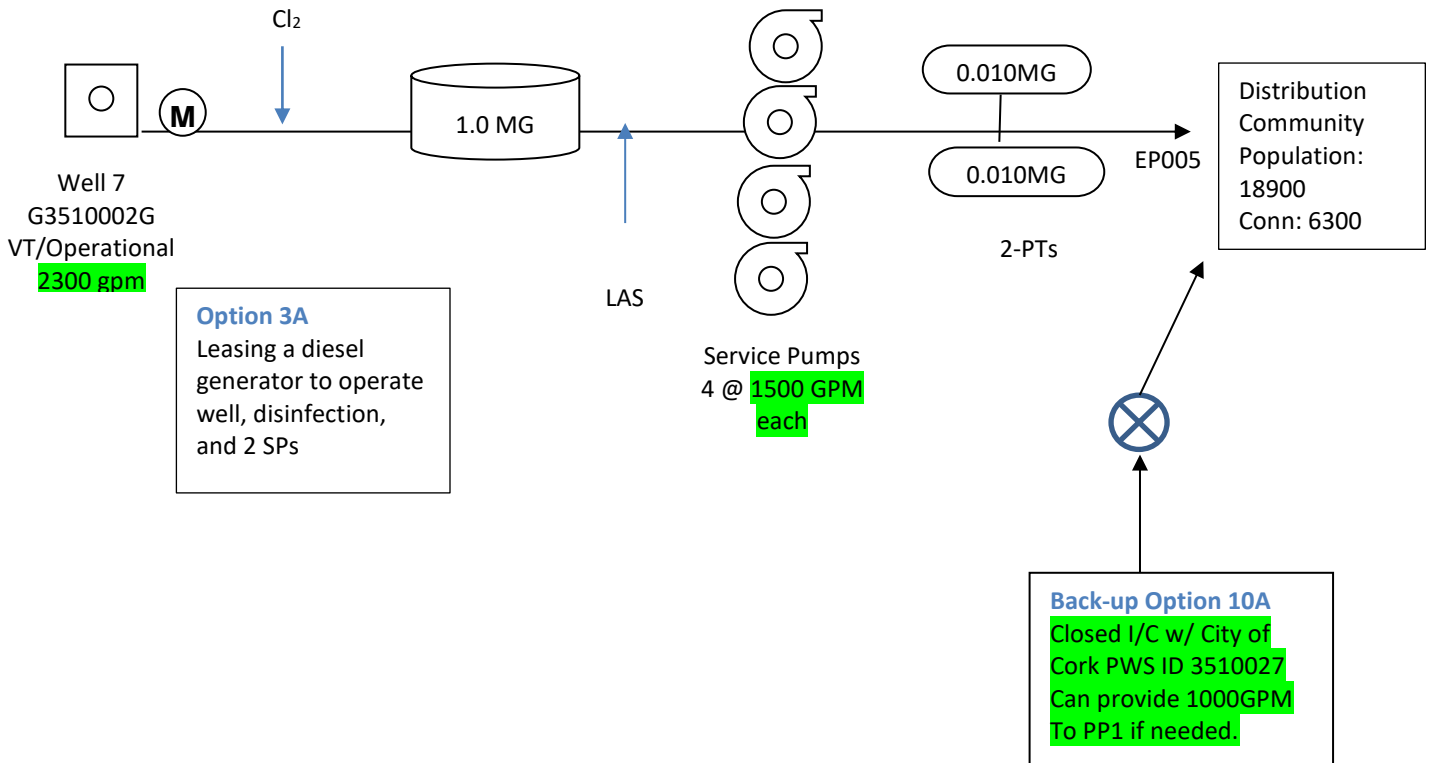
PWS - SYSTEM FLOW DIAGRAM

Name of System:	City of Galway	Additional ID:	3510002
Description of Sources, Treatment, Entry Points and Distribution Labelling: owner's source names and TCEQ water source code designation, types of treatment and chemicals, entry points to distribution, entry point sample taps, booster disinfection, distribution connections and layout.			

Plant #4 2046 O'Connor Parkway PP1 Options 4 and 7



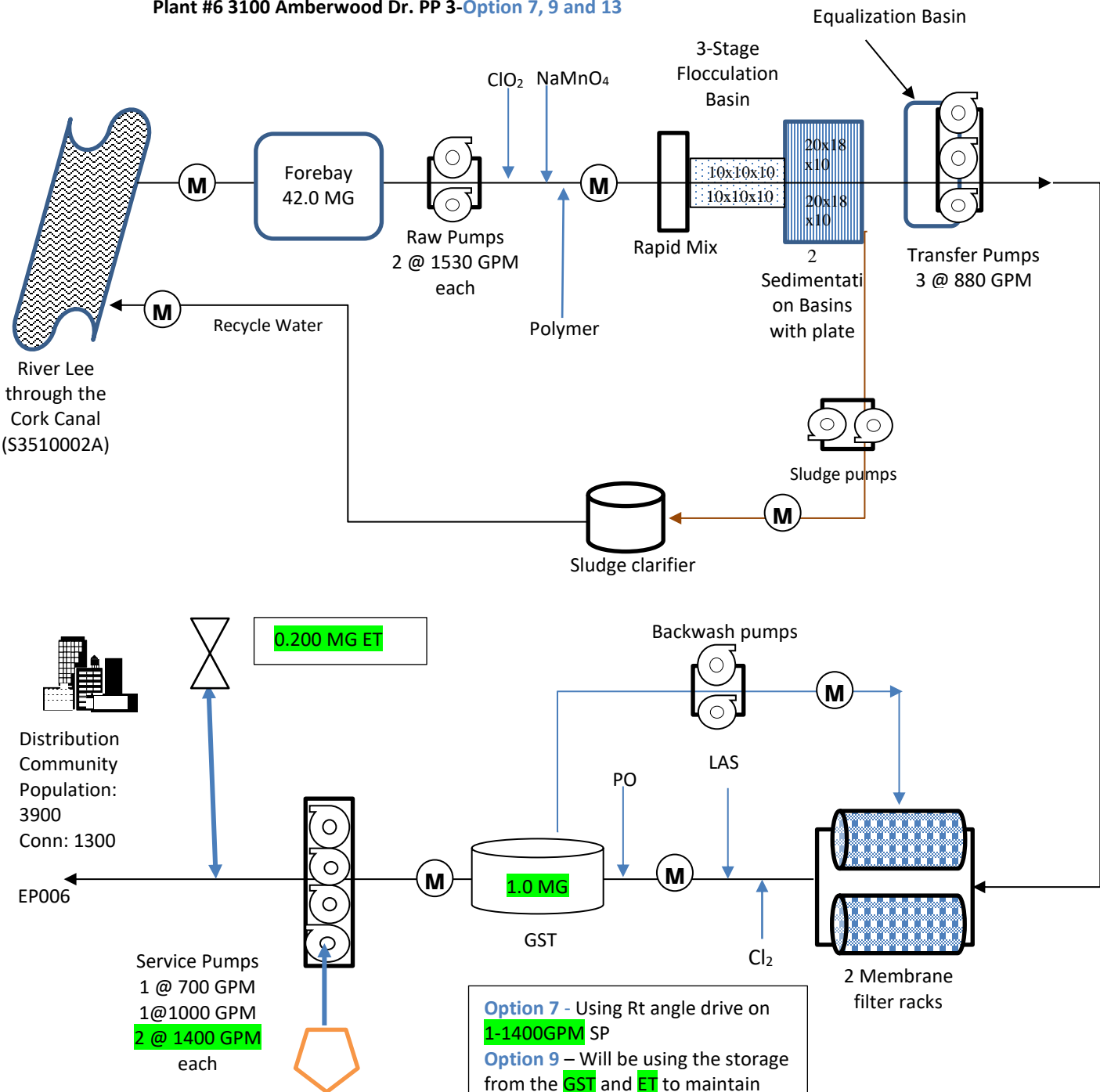
Plant #5 2500 Cork Way PP1 Option 3A and 10A-Back-Up option



PWS - SYSTEM FLOW DIAGRAM

Name of System:	City of Galway	Additional ID:	3510002
Description of Sources, Treatment, Entry Points and Distribution Labelling: owner's source names and TCEQ water source code designation, types of treatment and chemicals, entry points to distribution, entry point sample taps, booster disinfection, distribution connections and layout.			

Plant #6 3100 Amberwood Dr. PP 3-Option 7, 9 and 13



Option 7 - Using Rt angle drive on 1-1400GPM SP
Option 9 - Will be using the storage from the GST and ET to maintain 20psi
Option 13 - Will activate Drought Plan starting at Stage 4

Usage for PP 3
 MDD of 1.29MGD
 Emergency use max. 0.468 MGD
 Emergency use min. 0.374 MGD