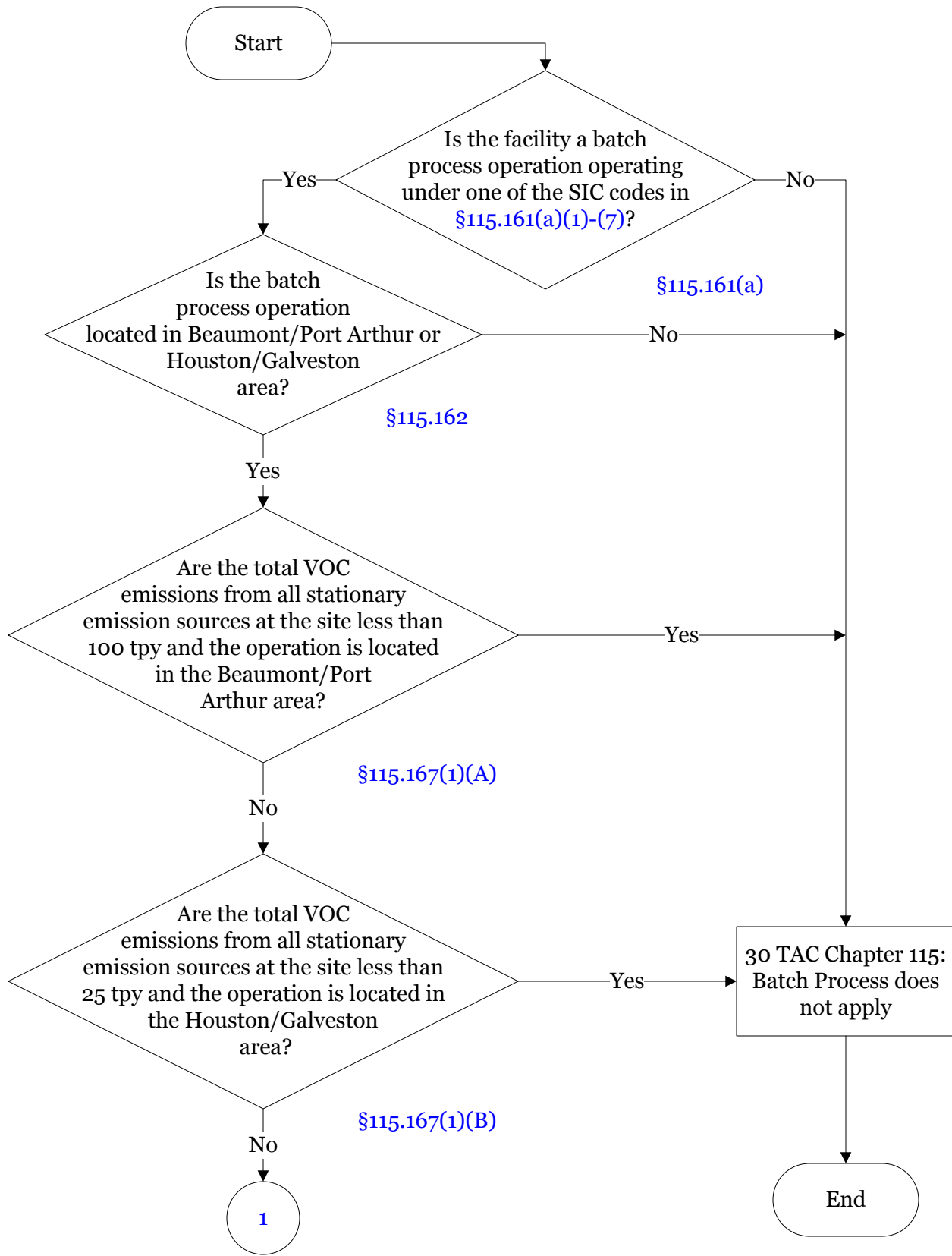


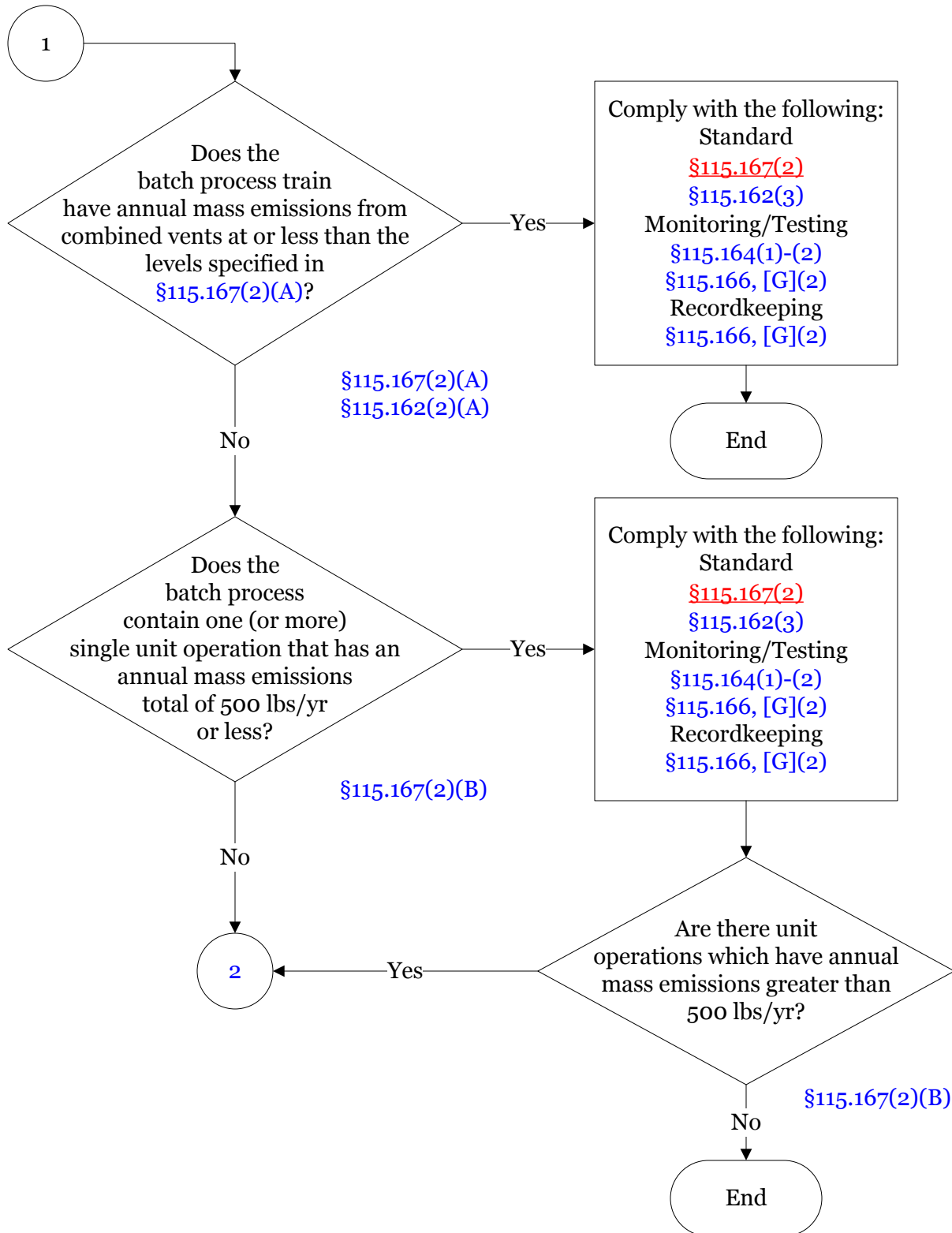


Below is a flowchart describing 30 TAC Chapter 115, Batch Processes.
For the text of the statute/rule, please go to
[30 TAC Chapter 115, Batch Processes](#)

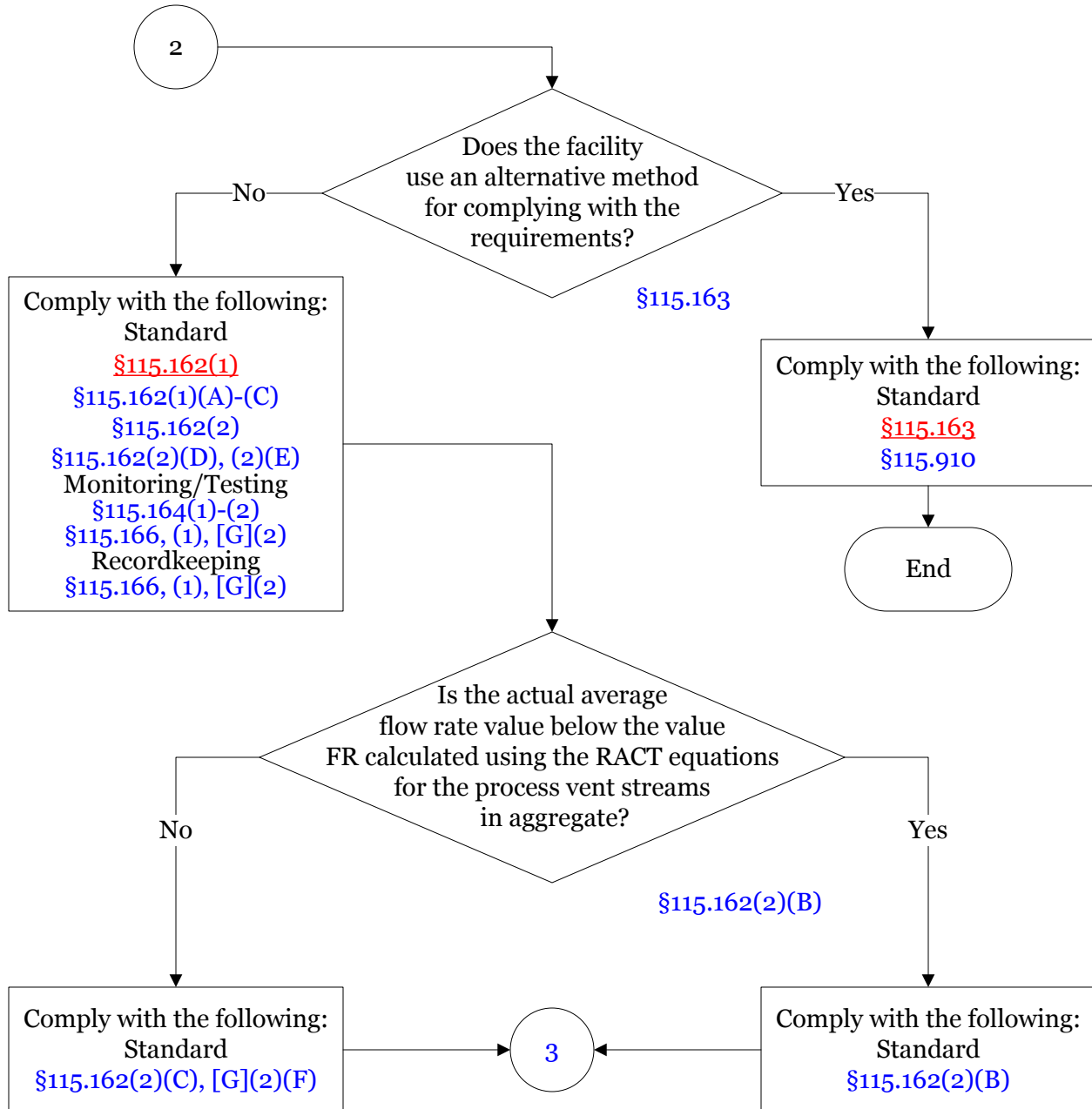
(1 of 7)



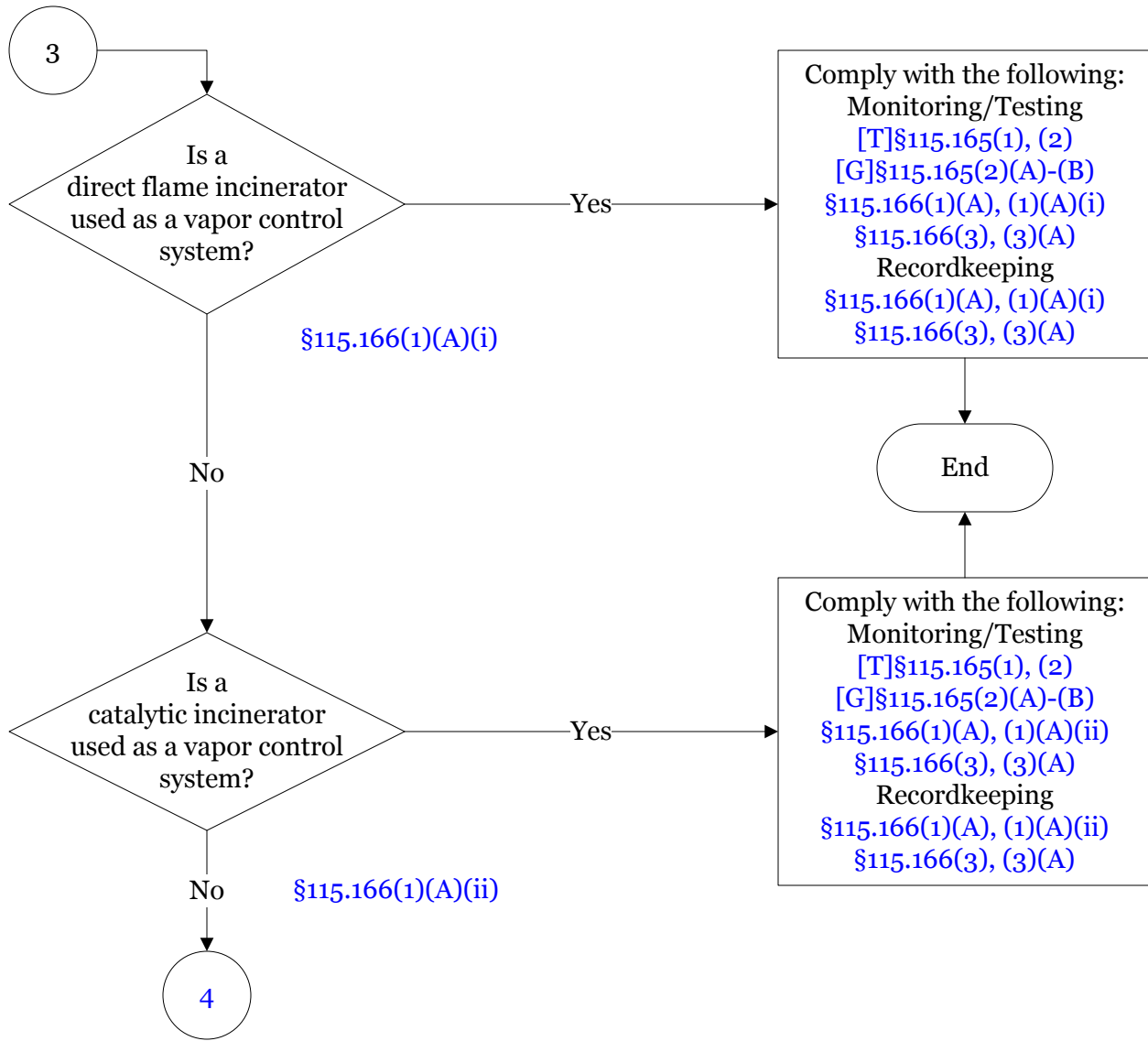
30 TAC Chapter 115, Subchapter B, Division 6: Batch Processes (2 of 7)



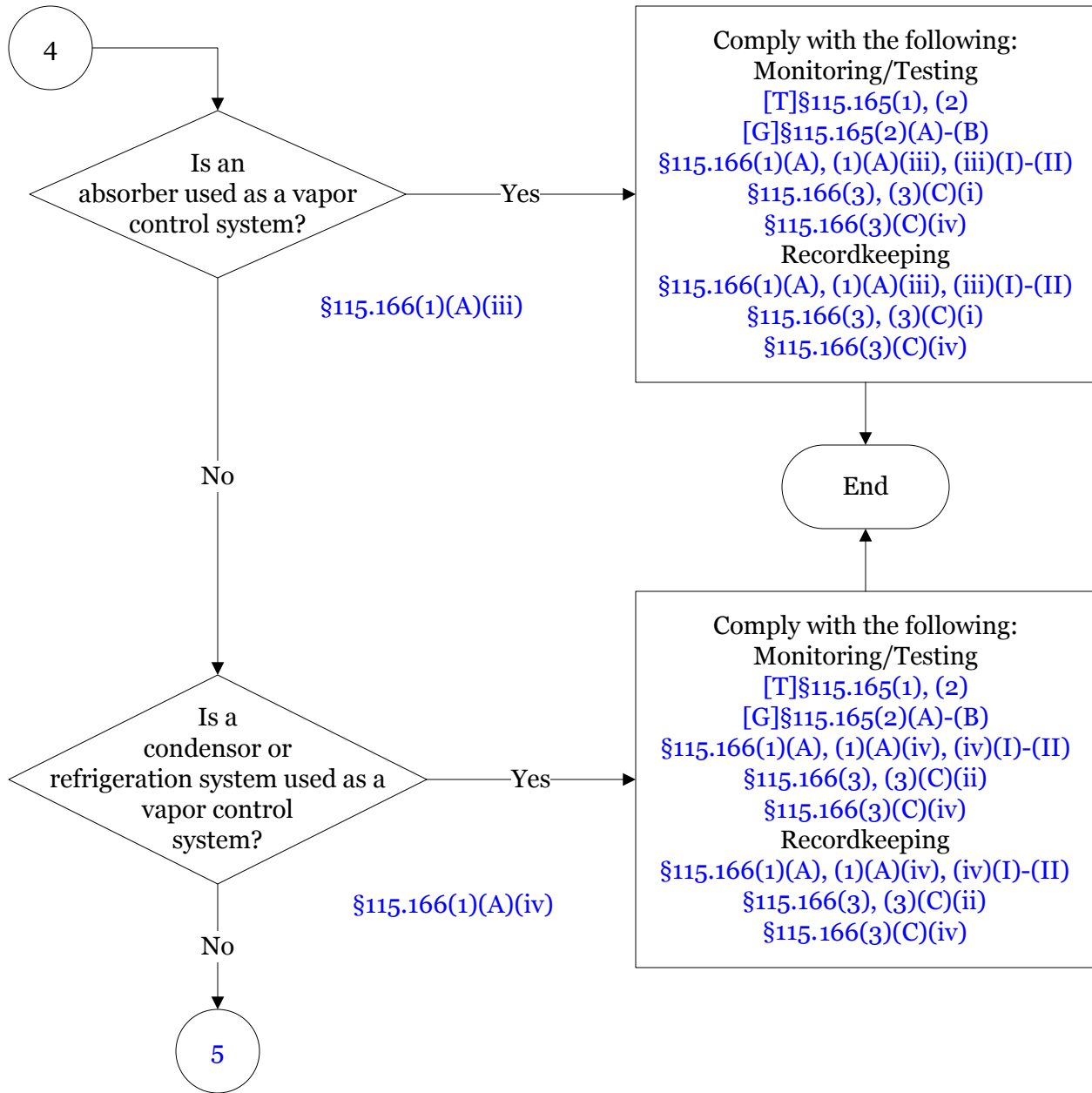
30 TAC Chapter 115, Subchapter B, Division 6: Batch Processes (3 of 7)



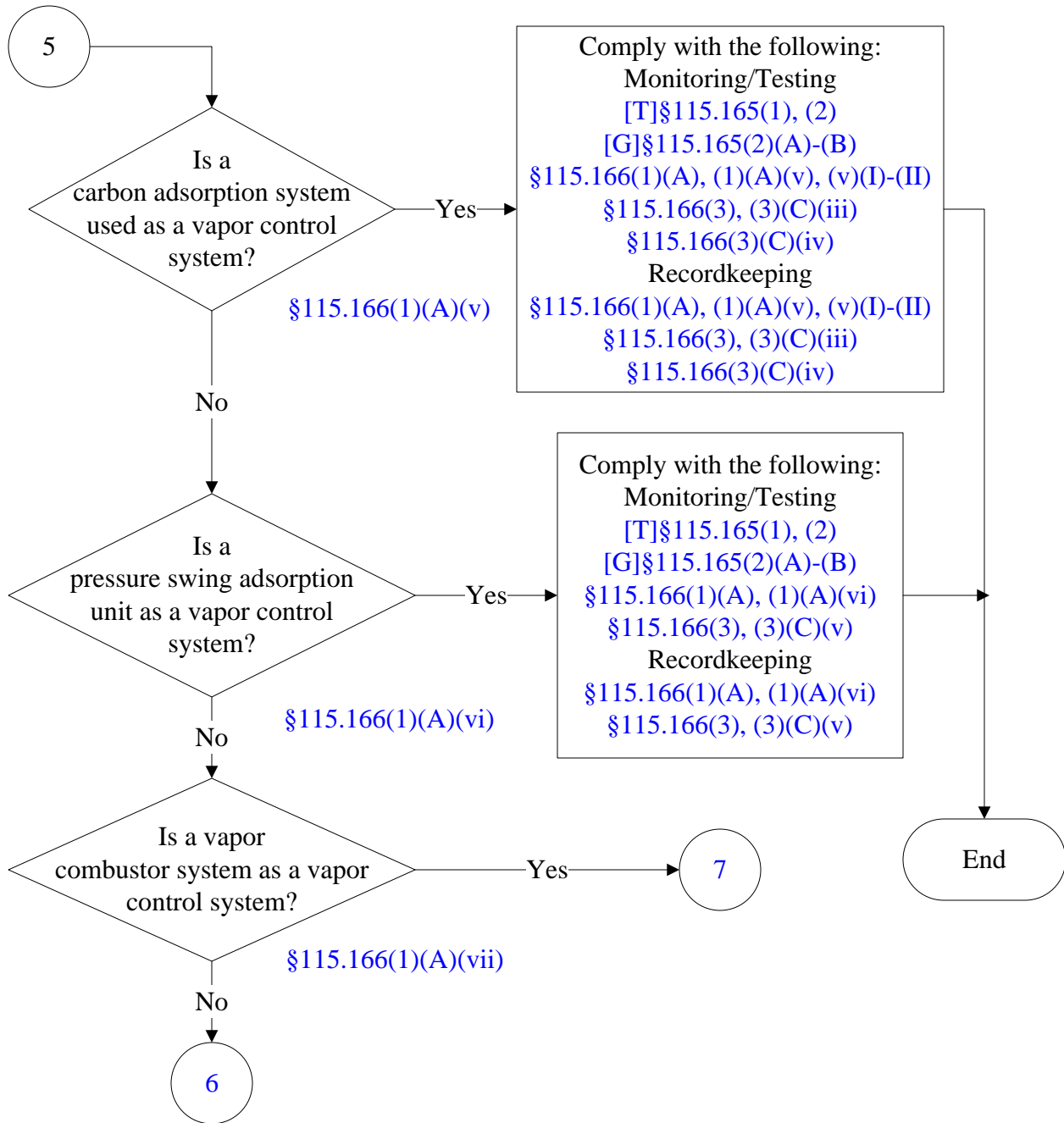
30 TAC Chapter 115, Subchapter B,
Division 6: Batch Processes
(4 of 7)



**30 TAC Chapter 115, Subchapter B,
Division 6: Batch Processes
(5 of 7)**



30 TAC Chapter 115, Subchapter B, Division 6: Batch Processes (6 of 7)



30 TAC Chapter 115, Subchapter B, Division 6: Batch Processes (7 of 7)

