

ADDRESS 1978 S. AUSTIN AVENUE GEORGETOWN, TX 78626	PHONE 512.930.9412
WEB STEGEBIZZELL.COM	
SERVICES > > ENGINEERS > > PLANNERS > > SURVEYORS	
TEXAS REGISTERED ENGINEERING FIRM F-181	

WATER POLLUTION ABATEMENT PLAN EXCEPTION REQUEST

For

**GEORGETOWN HIGH SCHOOL
AG FACILITY
GEORGETOWN I.S.D**

In the

City of Georgetown
Williamson County, Texas

STEGER BIZZELL Job Number: 22888

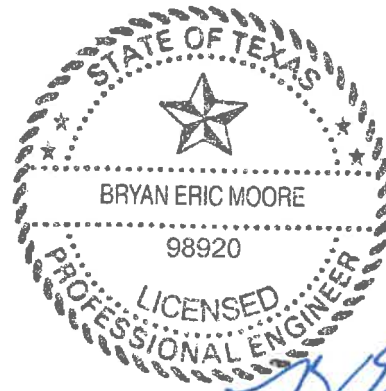
WATER POLLUTION ABATEMENT PLAN EXCEPTION REQUEST

For

**GEORGETOWN HIGH SCHOOL
AG FACILITY
GEORGETOWN I.S.D**

In the

City of Georgetown
Williamson County, Texas



F-181
[Signature]
3/21/2024

Texas Commission on Environmental Quality

Edwards Aquifer Application Cover Page

Our Review of Your Application

The Edwards Aquifer Program staff conducts an administrative and technical review of all applications. The turnaround time for administrative review can be up to 30 days as outlined in 30 TAC 213.4(e). Generally administrative completeness is determined during the intake meeting or within a few days of receipt. The turnaround time for technical review of an administratively complete Edwards Aquifer application is 90 days as outlined in 30 TAC 213.4(e). Please know that the review and approval time is directly impacted by the quality and completeness of the initial application that is received. In order to conduct a timely review, it is imperative that the information provided in an Edwards Aquifer application include final plans, be accurate, complete, and in compliance with [30 TAC 213](#).

Administrative Review

1. [Edwards Aquifer applications](#) must be deemed administratively complete before a technical review can begin. To be considered administratively complete, the application must contain completed forms and attachments, provide the requested information, and meet all the site plan requirements. The submitted application and plan sheets should be final plans. Please submit one full-size set of plan sheets with the original application, and half-size sets with the additional copies.

To ensure that all applicable documents are included in the application, the program has developed tools to guide you and web pages to provide all forms, checklists, and guidance. Please visit the below website for assistance: <http://www.tceq.texas.gov/field/eapp>.

2. This Edwards Aquifer Application Cover Page form (certified by the applicant or agent) must be included in the application and brought to the administrative review meeting.
3. Administrative reviews are scheduled with program staff who will conduct the review. Applicants or their authorized agent should call the appropriate regional office, according to the county in which the project is located, to schedule a review. The average meeting time is one hour.
4. In the meeting, the application is examined for administrative completeness. Deficiencies will be noted by staff and emailed or faxed to the applicant and authorized agent at the end of the meeting, or shortly after. Administrative deficiencies will cause the application to be deemed incomplete and returned.

An appointment should be made to resubmit the application. The application is re-examined to ensure all deficiencies are resolved. The application will only be deemed administratively complete when all administrative deficiencies are addressed.

5. If an application is received by mail, courier service, or otherwise submitted without a review meeting, the administrative review will be conducted within 30 days. The applicant and agent will be contacted with the results of the administrative review. If the application is found to be administratively incomplete, it can be retrieved from the regional office or returned by regular mail. If returned by mail, the regional office may require arrangements for return shipping.
6. If the geologic assessment was completed before October 1, 2004 and the site contains “possibly sensitive” features, the assessment must be updated in accordance with the *Instructions to Geologists* (TCEQ-0585 Instructions).

Technical Review

1. When an application is deemed administratively complete, the technical review period begins. The regional office will distribute copies of the application to the identified affected city, county, and groundwater conservation district whose jurisdiction includes the subject site. These entities and the public have 30 days to provide comments on the application to the regional office. All comments received are reviewed by TCEQ.
2. A site assessment is usually conducted as part of the technical review, to evaluate the geologic assessment and observe existing site conditions. The site must be accessible to our staff. The site boundaries should be

clearly marked, features identified in the geologic assessment should be flagged, roadways marked and the alignment of the Sewage Collection System and manholes should be staked at the time the application is submitted. If the site is not marked the application may be returned.

3. We evaluate the application for technical completeness and contact the applicant and agent via Notice of Deficiency (NOD) to request additional information and identify technical deficiencies. There are two deficiency response periods available to the applicant. There are 14 days to resolve deficiencies noted in the first NOD. If a second NOD is issued, there is an additional 14 days to resolve deficiencies. If the response to the second notice is not received, is incomplete or inadequate, or provides new information that is incomplete or inadequate, the application must be withdrawn or if not withdrawn the application will be denied and the application fee will be forfeited.
4. The program has 90 calendar days to complete the technical review of the application. If the application is technically adequate, such that it complies with the Edwards Aquifer rules, and is protective of the Edwards Aquifer during and after construction, an approval letter will be issued. Construction or other regulated activity may not begin until an approval is issued.

Mid-Review Modifications

It is important to have final site plans prior to beginning the permitting process with TCEQ to avoid delays.

Occasionally, circumstances arise where you may have significant design and/or site plan changes after your Edwards Aquifer application has been deemed administratively complete by TCEQ. This is considered a “Mid-Review Modification”. Mid-Review Modifications may require redistribution of an application that includes the proposed modifications for public comment.

If you are proposing a Mid-Review Modification, two options are available to you:

- You can withdraw your application, and your fees will be refunded or credited for a resubmittal.
- TCEQ can continue the technical review of the application as it was submitted, and a modification application can be submitted at a later time.

If the application is withdrawn, the resubmitted application will be subject to the administrative and technical review processes and will be treated as a new application. The application will be redistributed to the effected jurisdictions.

Please contact the regional office if you have questions. If your project is located in Williamson, Travis, or Hays County, contact TCEQ’s Austin Regional Office at 512-339-2929. If your project is in Comal, Bexar, Medina, Uvalde, or Kinney County, contact TCEQ’s San Antonio Regional Office at 210-490-3096

Please fill out all required fields below and submit with your application.

1. Regulated Entity Name: GEORGETOWN HIGH SCHOOL AG FACILITY					2. Regulated Entity No.: 106218407				
3. Customer Name: GEORGETOWN INDEPENDENT SCHOOL DISTRICT					4. Customer No.: 600916712				
5. Project Type: (Please circle/check one)	New		Modification			Extension		<u>Exception</u>	
6. Plan Type: (Please circle/check one)	WPAP	CZP	SCS	UST	AST	EXP	EXT	Technical Clarification	Optional Enhanced Measures
7. Land Use: (Please circle/check one)	Residential		<u>Non-residential</u>			8. Site (acres):		94.67	
9. Application Fee:	\$500		10. Permanent BMP(s):			EXISTING SED/FILTRATION PONDS			
11. SCS (Linear Ft.):	N/A		12. AST/UST (No. Tanks):						
13. County:	WILLIAMSON		14. Watershed:			PECAN BRANCH			

Application Distribution

Instructions: Use the table below to determine the number of applications required. One original and one copy of the application, plus additional copies (as needed) for each affected incorporated city, county, and groundwater conservation district are required. Linear projects or large projects, which cross into multiple jurisdictions, can require additional copies. Refer to the “Texas Groundwater Conservation Districts within the EAPP Boundaries” map found at:

http://www.tceq.texas.gov/assets/public/compliance/field_ops/eapp/EAPP%20GWCD%20map.pdf

For more detailed boundaries, please contact the conservation district directly.

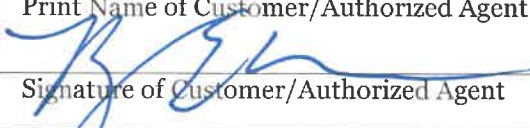
Austin Region			
County:	Hays	Travis	Williamson
Original (1 req.)	___	___	__X__
Region (1 req.)	___	___	X
County(ies)	___	___	__X__
Groundwater Conservation District(s)	___ Edwards Aquifer Authority ___ Barton Springs/ Edwards Aquifer ___ Hays Trinity ___ Plum Creek	___ Barton Springs/ Edwards Aquifer	NA
City(ies) Jurisdiction	___ Austin ___ Buda ___ Dripping Springs ___ Kyle ___ Mountain City ___ San Marcos ___ Wimberley ___ Woodcreek	___ Austin ___ Bee Cave ___ Pflugerville ___ Rollingwood ___ Round Rock ___ Sunset Valley ___ West Lake Hills	___ Austin ___ Cedar Park ___ Florence __X__ Georgetown ___ Jerrell ___ Leander ___ Liberty Hill ___ Pflugerville ___ Round Rock

San Antonio Region					
County:	Bexar	Comal	Kinney	Medina	Uvalde
Original (1 req.)	___	___	___	___	___
Region (1 req.)	___	___	___	___	___
County(ies)	___	___	___	___	___
Groundwater Conservation District(s)	___ Edwards Aquifer Authority ___ Trinity-Glen Rose	___ Edwards Aquifer Authority	___ Kinney	___ EAA ___ Medina	___ EAA ___ Uvalde
City(ies) Jurisdiction	___ Castle Hills ___ Fair Oaks Ranch ___ Helotes ___ Hill Country Village ___ Hollywood Park ___ San Antonio (SAWS) ___ Shavano Park	___ Bulverde ___ Fair Oaks Ranch ___ Garden Ridge ___ New Braunfels ___ Schertz	NA	___ San Antonio ETJ (SAWS)	NA

I certify that to the best of my knowledge, that the application is complete and accurate. This application is hereby submitted to TCEQ for administrative review and technical review.

BRYAN E. MOORE, P.E.

Print Name of Customer/Authorized Agent



Date

3/21/2024

****FOR TCEQ INTERNAL USE ONLY****

Date(s) Reviewed:		Date Administratively Complete:	
Received From:		Correct Number of Copies:	
Received By:		Distribution Date:	
EAPP File Number:		Complex:	
Admin. Review(s) (No.):		No. AR Rounds:	
Delinquent Fees (Y/N):		Review Time Spent:	
Lat./Long. Verified:		SOS Customer Verification:	
Agent Authorization Complete/Notarized (Y/N):		Fee Check:	Payable to TCEQ (Y/N):
Core Data Form Complete (Y/N):			Signed (Y/N):
Core Data Form Incomplete Nos.:			Less than 90 days old (Y/N):

General Information Form

Texas Commission on Environmental Quality

For Regulated Activities on the Edwards Aquifer Recharge and Transition Zones and Relating to 30 TAC §213.4(b) & §213.5(b)(2)(A), (B) Effective June 1, 1999

To ensure that the application is administratively complete, confirm that all fields in the form are complete, verify that all requested information is provided, consistently reference the same site and contact person in all forms in the application, and ensure forms are signed by the appropriate party.

Note: Including all the information requested in the form and attachments contributes to more streamlined technical reviews.

Signature

To the best of my knowledge, the responses to this form accurately reflect all information requested concerning the proposed regulated activities and methods to protect the Edwards Aquifer. This **General Information Form** is hereby submitted for TCEQ review. The application was prepared by:

Print Name of Customer/Agent: BRYAN E. MOORE, P.E.

Date: 3/20/2024

Signature of Customer/Agent:



Project Information

1. Regulated Entity Name: GEORGETOWN HIGH SCHOOL AG FACILITY

2. County: WILLIAMSON

3. Stream Basin: PECAN BRANCH

4. Groundwater Conservation District (If applicable): N/A

5. Edwards Aquifer Zone:

Recharge Zone

Transition Zone

6. Plan Type:

WPAP

SCS

Modification

AST

UST

Exception Request

7. Customer (Applicant):

Contact Person: JIMMY JONES

Entity: GEORGETOWN ISD

Mailing Address: 507 E UNIVERSITY AVE

City, State: GEORGETOWN, TX

Zip: 78626

Telephone: 512-943-5000

FAX: _____

Email Address: JONESJ10@GEORGETOWNISD.ORG

8. Agent/Representative (If any):

Contact Person: BRYAN E. MOORE, P.E.

Entity: STEGER BIZZELL

Mailing Address: 1978 S AUSTIN AVE

City, State: GEORGETOWN, TX

Zip: 78626

Telephone: 512-930-9412

FAX: _____

Email Address: BMOORE@STEGERBIZZELL.COM

9. Project Location:

The project site is located inside the city limits of GEORGETOWN.

The project site is located outside the city limits but inside the ETJ (extra-territorial jurisdiction) of _____.

The project site is not located within any city's limits or ETJ.

10. The location of the project site is described below. The description provides sufficient detail and clarity so that the TCEQ's Regional staff can easily locate the project and site boundaries for a field investigation.

THE SITE IS LOCATED AT THE INTERSECTION OF N. AUSTIN AVE. AND STADIUM DRIVE.

11. **Attachment A – Road Map.** A road map showing directions to and the location of the project site is attached. The project location and site boundaries are clearly shown on the map.

12. **Attachment B - USGS / Edwards Recharge Zone Map.** A copy of the official 7 ½ minute USGS Quadrangle Map (Scale: 1" = 2000') of the Edwards Recharge Zone is attached.

The map(s) clearly show:

Project site boundaries.

USGS Quadrangle Name(s).

Boundaries of the Recharge Zone (and Transition Zone, if applicable).

Drainage path from the project site to the boundary of the Recharge Zone.

13. **The TCEQ must be able to inspect the project site or the application will be returned.** Sufficient survey staking is provided on the project to allow TCEQ regional staff to locate the boundaries and alignment of the regulated activities and the geologic or manmade features noted in the Geologic Assessment.

Survey staking will be completed by this date: 3/20/2024 The project is located at the existing AG Facility Barn.

14. **Attachment C – Project Description.** Attached at the end of this form is a detailed narrative description of the proposed project. The project description is consistent throughout the application and contains, at a minimum, the following details:

- Area of the site
- Offsite areas
- Impervious cover
- Permanent BMP(s)
- Proposed site use
- Site history
- Previous development
- Area(s) to be demolished

15. Existing project site conditions are noted below:

- Existing commercial site
- Existing industrial site
- Existing residential site
- Existing paved and/or unpaved roads
- Undeveloped (Cleared)
- Undeveloped (Undisturbed/Uncleared)
- Other: EXISTING HIGH SCHOOL

Prohibited Activities

16. I am aware that the following activities are prohibited on the Recharge Zone and are not proposed for this project:

- (1) Waste disposal wells regulated under 30 TAC Chapter 331 of this title (relating to Underground Injection Control);
- (2) New feedlot/concentrated animal feeding operations, as defined in 30 TAC §213.3;
- (3) Land disposal of Class I wastes, as defined in 30 TAC §335.1;
- (4) The use of sewage holding tanks as parts of organized collection systems; and
- (5) New municipal solid waste landfill facilities required to meet and comply with Type I standards which are defined in §330.41(b), (c), and (d) of this title (relating to Types of Municipal Solid Waste Facilities).
- (6) New municipal and industrial wastewater discharges into or adjacent to water in the state that would create additional pollutant loading.

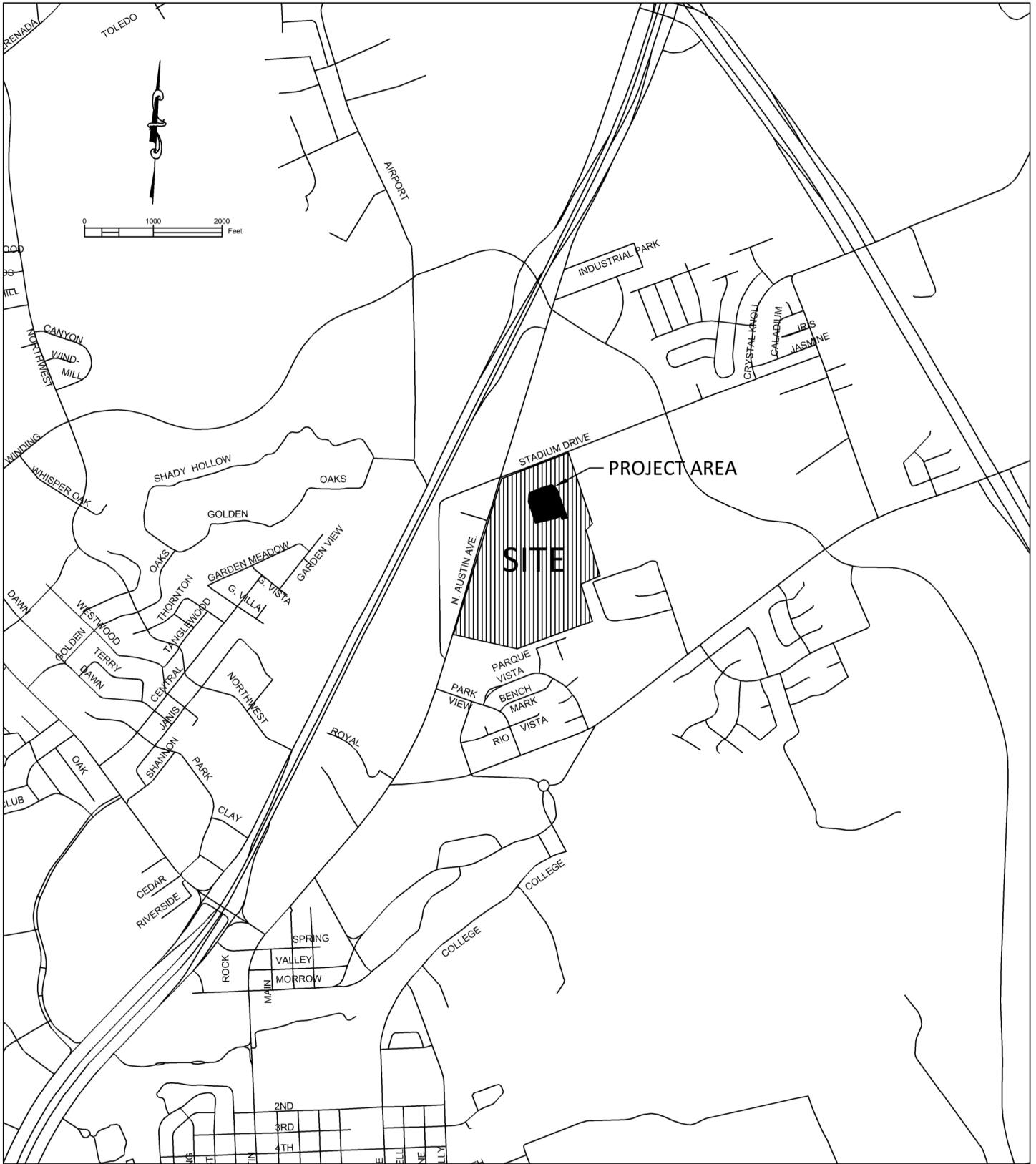
17. I am aware that the following activities are prohibited on the Transition Zone and are not proposed for this project:

- (1) Waste disposal wells regulated under 30 TAC Chapter 331 (relating to Underground Injection Control);
- (2) Land disposal of Class I wastes, as defined in 30 TAC §335.1; and
- (3) New municipal solid waste landfill facilities required to meet and comply with Type I standards which are defined in §330.41 (b), (c), and (d) of this title.

Administrative Information

18. The fee for the plan(s) is based on:

- For a Water Pollution Abatement Plan or Modification, the total acreage of the site where regulated activities will occur.
 - For an Organized Sewage Collection System Plan or Modification, the total linear footage of all collection system lines.
 - For a UST Facility Plan or Modification or an AST Facility Plan or Modification, the total number of tanks or piping systems.
 - A request for an exception to any substantive portion of the regulations related to the protection of water quality.
 - A request for an extension to a previously approved plan.
19. Application fees are due and payable at the time the application is filed. If the correct fee is not submitted, the TCEQ is not required to consider the application until the correct fee is submitted. Both the fee and the Edwards Aquifer Fee Form have been sent to the Commission's:
- TCEQ cashier
 - Austin Regional Office (for projects in Hays, Travis, and Williamson Counties)
 - San Antonio Regional Office (for projects in Bexar, Comal, Kinney, Medina, and Uvalde Counties)
20. Submit one (1) original and one (1) copy of the application, plus additional copies as needed for each affected incorporated city, groundwater conservation district, and county in which the project will be located. The TCEQ will distribute the additional copies to these jurisdictions. The copies must be submitted to the appropriate regional office.
21. No person shall commence any regulated activity until the Edwards Aquifer Protection Plan(s) for the activity has been filed with and approved by the Executive Director.



**ATTACHMENT A
ROAD MAP**

STEGER BIZZELL

ADDRESS		1978 S. AUSTIN AVENUE	GEORGETOWN, TX 78626	
METRO	512.930.9412	TEXAS REGISTERED ENGINEERING FIRM F-181 TBPLS FIRM No.10003700	WEB	STEGERBIZZELL.COM
SERVICES		>>ENGINEERS	>>PLANNERS	>>SURVEYORS

DATE: NOVEMBER 2022

JOB NO. 22888

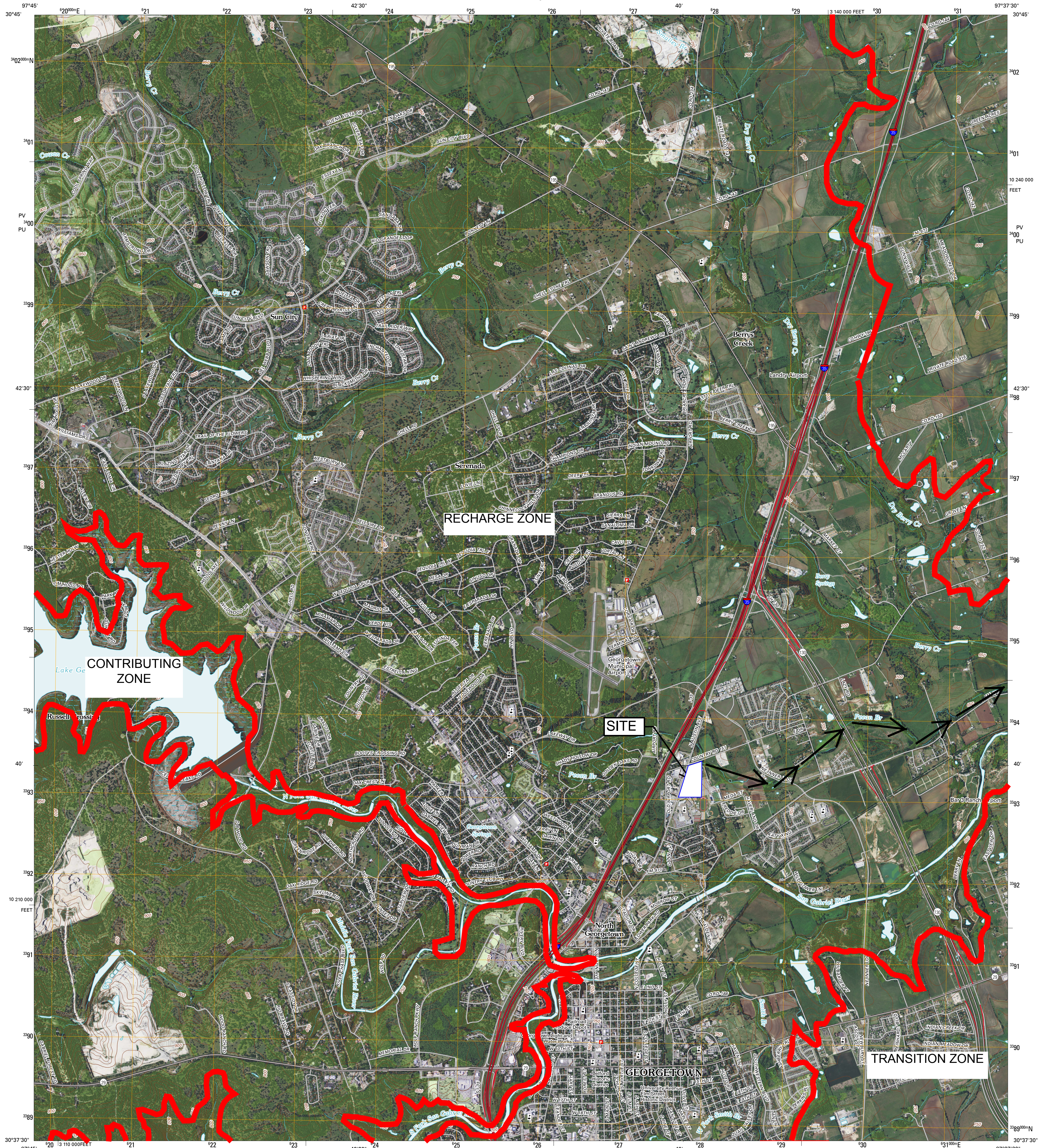
ATTACHMENT B



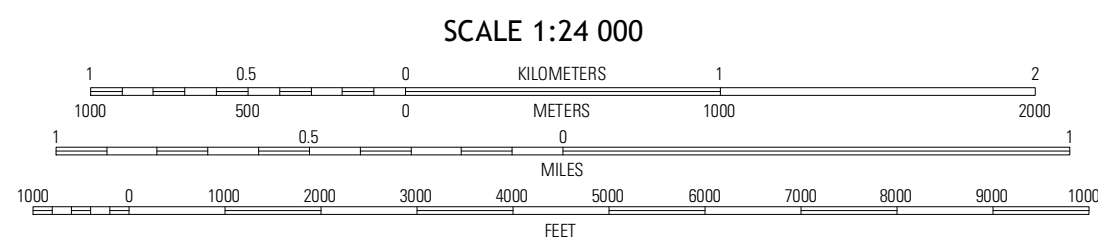
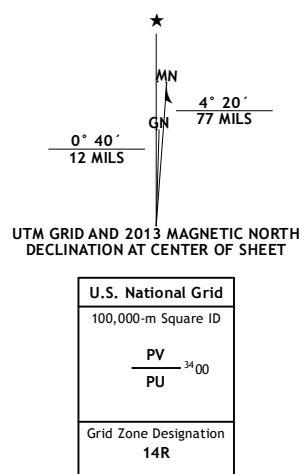
U.S. DEPARTMENT OF THE INTERIOR
U. S. GEOLOGICAL SURVEY



GEORGETOWN QUADRANGLE
TEXAS-WILLIAMSON CO.
7.5-MINUTE SERIES



Produced by the United States Geological Survey
North American Datum of 1983 (NAD83)
World Geodetic System of 1984 (WGS84). Projection and
1 000-meter grid: Universal Transverse Mercator, Zone 14R
10 000-foot ticks: Texas Coordinate System of 1983 (central
zone)



Florence	Ohls Cavern	Jarrill
Leander NE	Georgetown	Weir
Leander	Round Rock	Hutto

ROAD CLASSIFICATION	
Interstate Route	State Route
US Route	Local Road
Ramp	4WD
Interstate Route	US Route
	State Route

Imagery.....NAIP, May 2010
Roads.....©2006-2012 TomTom
Names.....©2006-2012 TomTom
Hydrography.....National Hydrography Dataset, 2010
Contours.....National Elevation Dataset, 2004
Boundaries.....Census, IBWC, BC, USGS, 1972 - 2012

CONTOUR INTERVAL 10 FEET
NORTH AMERICAN VERTICAL DATUM OF 1988

This map was produced to conform with the
National Geospatial Program US Topo Product Standard, 2011.
A metadata file associated with this product is draft version 0.6.7

GEORGETOWN, TX
2013

ADJOINING 7.5 QUADRANGLES

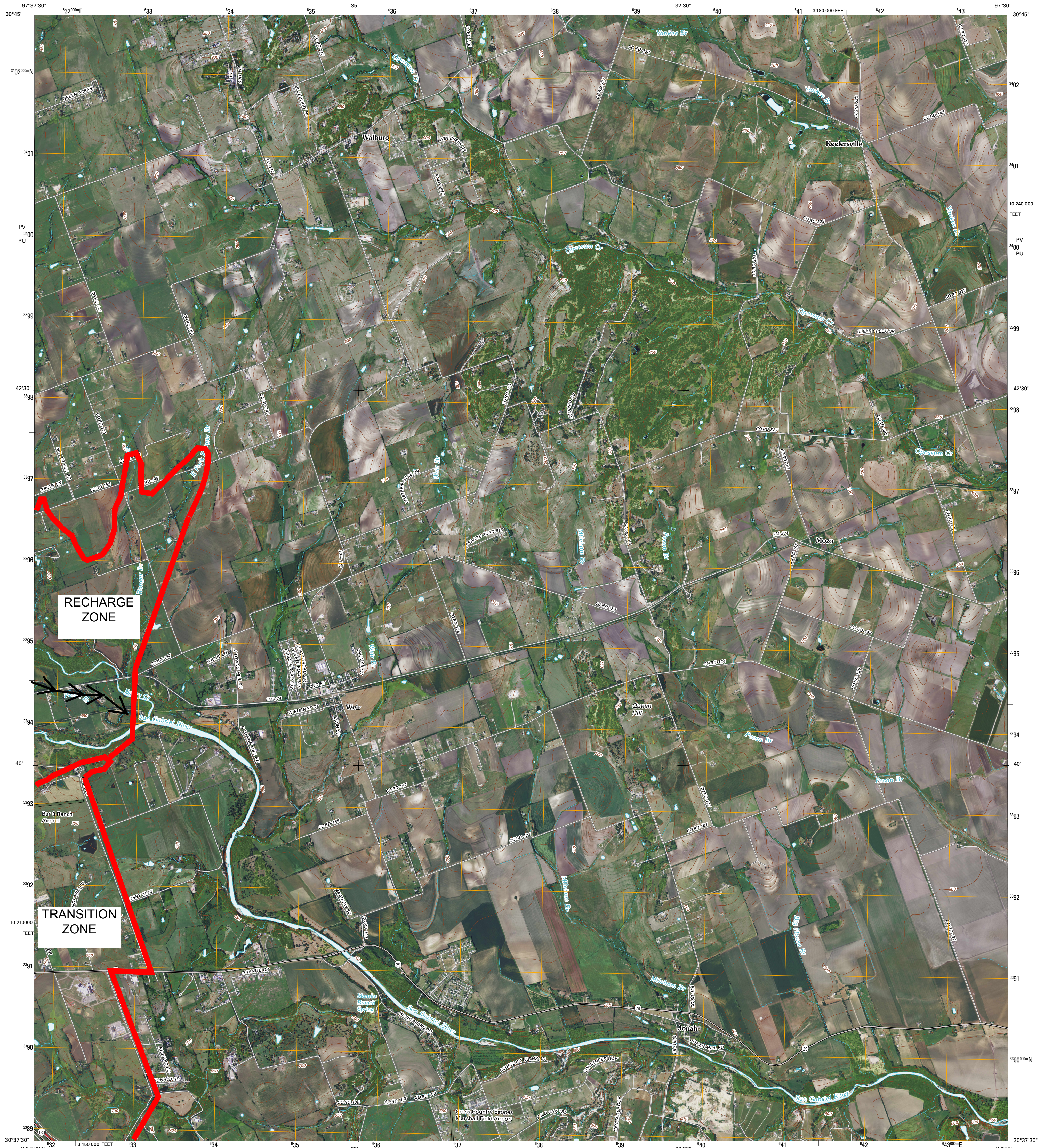
ATTACHMENT B (CONT.)



U.S. DEPARTMENT OF THE INTERIOR
U. S. GEOLOGICAL SURVEY



WEIR QUADRANGLE
TEXAS-WILLIAMSON CO.
7.5-MINUTE SERIES

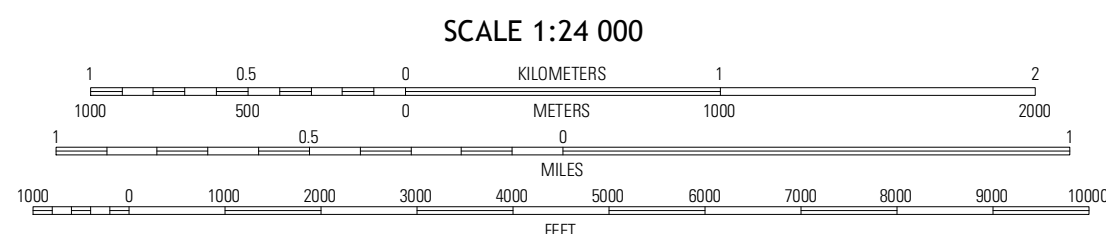
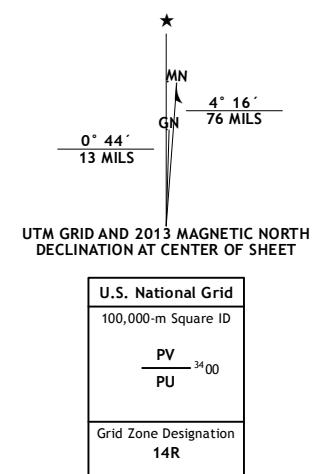


RECHARGE ZONE

TRANSITION ZONE

Produced by the United States Geological Survey
North American Datum of 1983 (NAD83)
World Geodetic System of 1984 (WGS84), Projection and
1 000-meter grid: Universal Transverse Mercator, Zone 14R
10 000-foot ticks: Texas Coordinate System of 1983 (central zone)

Imagery:.....NAIP, May 2010
Roads:.....©2006-2012 TomTom
Names:.....©2006-2012 TomTom
Hydrography:.....National Hydrography Dataset, 2010
Contours:.....National Elevation Dataset, 2004
Boundaries:.....Census, IBWC, B.C. USGS, 1972 - 2012



CONTOUR INTERVAL 10 FEET
NORTH AMERICAN VERTICAL DATUM OF 1988
This map was produced to conform with the
National Geospatial Program US Topo Product Standard, 2011.
A metadata file associated with this product is draft version 0.6.7



Cuba Cavern	Jarrell	Bartlett
Georgetown	Weir	Granger
Round Rock	Hutto	Taylor

ROAD CLASSIFICATION	
Interstate Route	State Route
US Route	Local Road
Ramp	4WD
Interstate Route	US Route
	State Route

WEIR, TX
2013

ADJOINING 7.5 QUADRANGLES

Attachment C – Project Description

Development of the Georgetown High School (GHS) campus began in the 1970's with construction of the original High School Building, Athletic Field House, parking areas, tennis courts and athletic field. Over the years, new buildings, building additions, parking areas and athletic fields have been constructed throughout the campus.

In 1997, a WPAP application was submitted to and subsequently approved by the TCEQ Edwards office to cover construction of a 9th Grade Center, Performing Arts Center and parking lot expansions. A copy of the approval letter is attached directly behind this page. As a part of this construction project, water quality ponds and detention ponds were constructed to mitigate storm water from the expansion project area.

In 2006, an additional 5-acre tract was added to the campus area. The total area of the campus was enlarged 94.57 acres. A WPAP was filed with the TCEQ to cover the construction of a new stadium and new stadium parking areas at GHS. Four buildings were constructed under the visitor side. The project also included removing existing buildings at the Bus barn lot and resurfacing the parking lot. A remote playing field was also replaced with an artificial turf system. Surface fill from the project was placed within the flood plain.

In 2011, construction began on the expansion of the Georgetown High School gym, cafeteria and library. Major renovation inside of the main building also took place. In addition to the proposed building expansion and renovation, existing parking lots on the west, north and east side of the main building were removed or reconstructed. At the main entrance on the west side of the existing building, the parking layout was revised to accommodate a building expansion and realignment of the existing driveway. The project was constructed in one phase over two years. Additional BMP's were not required as the scope of the project improvements did not increase the overall amount of impervious cover on the site.

In 2019-2020, Georgetown ISD constructed an enclosed corridor from the main High School building to the Annex to improve campus security for students and staff. Revisions to existing driveways were required to accommodate the corridor.

The site has an approved impervious cover amount of 1,874,689 sf (43.04 acres). This represents 45% of the 94.67-acre site. With the proposed corridor project improvements, the impervious cover decreased to 1,843,330 sf (42.3 acres). This represents 44.7% of the site. This proposed impervious cover amount included the planned demolition and site improvements and excluded the planned "Senior" parking lot that was approved with the 2011 Site Plan and never constructed.

This is a request for an exception to providing a WPAP Modification for the proposed site improvements associated with the construction of Ag Facilities on the GHS campus. The project includes the demolition of the existing Ag facilities and the construction of a new Ag building with associated parking and utility extension. The utility improvements include wastewater, water and fire lines.

With the construction of these Ag improvements, the amount of impervious cover associated with this project (42.97 acres) will be less than the impervious cover previously approved (43.04 acres) in 2011. A detailed summary of the impervious cover along with planned demolition and site improvements are included in the construction plans attached at the end of the WPAP application.

The site qualifies for an exception request due to the minor improvements proposed and that runoff from the improvements drain to an existing sedimentation/filtration pond located on Stadium Drive.

Geologic Assessment

Texas Commission on Environmental Quality

For Regulated Activities on The Edwards Aquifer Recharge/transition Zones and Relating to 30 TAC §213.5(b)(3), Effective June 1, 1999

To ensure that the application is administratively complete, confirm that all fields in the form are complete, verify that all requested information is provided, consistently reference the same site and contact person in all forms in the application, and ensure forms are signed by the appropriate party.

Note: Including all the information requested in the form and attachments contributes to more streamlined technical reviews.

Signature

To the best of my knowledge, the responses to this form accurately reflect all information requested concerning the proposed regulated activities and methods to protect the Edwards Aquifer. My signature certifies that I am qualified as a geologist as defined by 30 TAC Chapter 213.

Print Name of Geologist: Kenneth L. Crider

Telephone: 512-930-1600

Date: 11-22-22

Fax: N/A

Representing: _____ (Name of Company and TBPG or TBPE registration number)

Steger Bizzell Engineering TBPE # F-181, Texas Land Surveying, Inc. Firm #50536

Signature of Geologist:

 11-22-22

Regulated Entity Name: Georgetown High School AG Facilities Georgetown I.S.D.



Project Information

1. Date(s) Geologic Assessment was performed: 11-22-22

2. Type of Project:

WPAP

AST

SCS

UST

3. Location of Project:

Recharge Zone

Transition Zone

Contributing Zone within the Transition Zone

4. **Attachment A - Geologic Assessment Table.** Completed Geologic Assessment Table (Form TCEQ-0585-Table) is attached.
5. Soil cover on the project site is summarized in the table below and uses the SCS Hydrologic Soil Groups* (Urban Hydrology for Small Watersheds, Technical Release No. 55, Appendix A, Soil Conservation Service, 1986). If there is more than one soil type on the project site, show each soil type on the site Geologic Map or a separate soils map.

Table 1 - Soil Units, Infiltration Characteristics and Thickness

Soil Name	Group*	Thickness(feet)
Denton Silty Clay DnB	C	up to 3

* Soil Group Definitions (Abbreviated)

- A. Soils having a high infiltration rate when thoroughly wetted.
- B. Soils having a moderate infiltration rate when thoroughly wetted.
- C. Soils having a slow infiltration rate when thoroughly wetted.
- D. Soils having a very slow infiltration rate when thoroughly wetted.

6. **Attachment B – Stratigraphic Column.** A stratigraphic column showing formations, members, and thicknesses is attached. The outcropping unit, if present, should be at the top of the stratigraphic column. Otherwise, the uppermost unit should be at the top of the stratigraphic column.
7. **Attachment C – Site Geology.** A narrative description of the site specific geology including any features identified in the Geologic Assessment Table, a discussion of the potential for fluid movement to the Edwards Aquifer, stratigraphy, structure(s), and karst characteristics is attached.
8. **Attachment D – Site Geologic Map(s).** The Site Geologic Map must be the same scale as the applicant's Site Plan. The minimum scale is 1": 400'
 Applicant's Site Plan Scale: 1" = _____'
 Site Geologic Map Scale: 1" = 60'
 Site Soils Map Scale (if more than 1 soil type): 1" = _____'
9. Method of collecting positional data:
 - Global Positioning System (GPS) technology.
 - Other method(s). Please describe method of data collection: _____
10. The project site and boundaries are clearly shown and labeled on the Site Geologic Map.
11. Surface geologic units are shown and labeled on the Site Geologic Map.

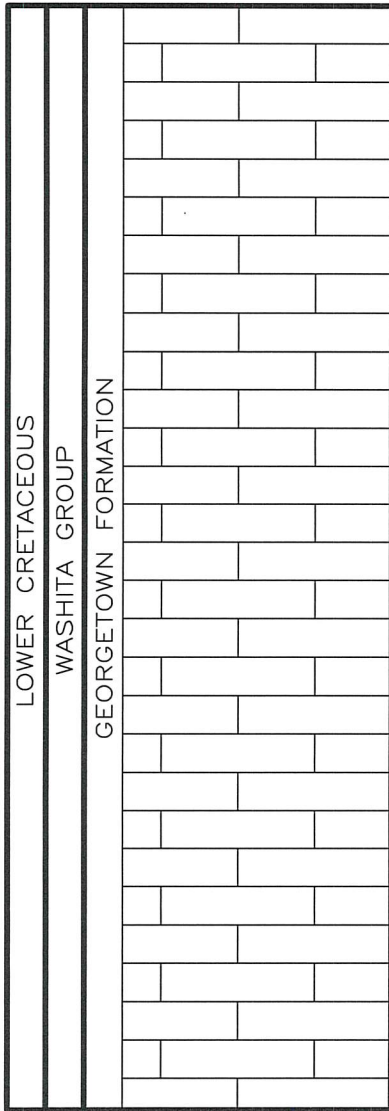
12. Geologic or manmade features were discovered on the project site during the field investigation. They are shown and labeled on the Site Geologic Map and are described in the attached Geologic Assessment Table.
- Geologic or manmade features were not discovered on the project site during the field investigation.
13. The Recharge Zone boundary is shown and labeled, if appropriate.
14. All known wells (test holes, water, oil, unplugged, capped and/or abandoned, etc.): If applicable, the information must agree with Item No. 20 of the WPAP Application Section.
- There are _____ (#) wells present on the project site and the locations are shown and labeled. (Check all of the following that apply.)
- The wells are not in use and have been properly abandoned.
- The wells are not in use and will be properly abandoned.
- The wells are in use and comply with 16 TAC Chapter 76.
- There are no wells or test holes of any kind known to exist on the project site.

Administrative Information

15. Submit one (1) original and one (1) copy of the application, plus additional copies as needed for each affected incorporated city, groundwater conservation district, and county in which the project will be located. The TCEQ will distribute the additional copies to these jurisdictions. The copies must be submitted to the appropriate regional office.

ATTACHMENT B – STRATIGRAPHIC COLUMN

GEORGETOWN HIGH SCHOOL AG FACILITIES GEORGETOWN I.S.D.



GEORGETOWN FORMATION (Kgt) COVERED, TYPICALLY LIMESTONE AND SOME MARL, LIMESTONE NODULAR TO BEDDED, GRAY TO TAN, SOFT TO HARD AND BRITTLE NUMEROUS MARINE FOSSILS, THICKNESS 30' TO 80' THINS SOUTHWARD PER THE GEOLOGIC ATLAS OF TEXAS AUSTIN SHEET, 65' TO 110' THICKENS NORTHWARD PER GEOLOGY OF THE GEORGETOWN REGION BY E.W. COLLINS

Texas Land Surveying, Inc.

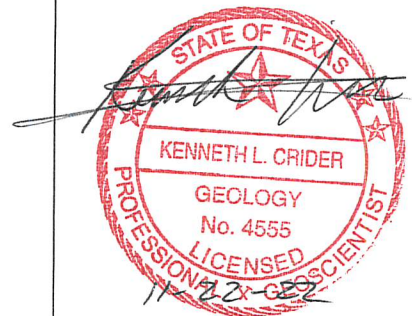
—A Land Surveying and Geoscience Firm—

3613 Williams Drive, Suite 903 — Georgetown, Texas 78628

(512) 930-1600/(512) 930-9389 fax

www.texas-ls.com

TBPLS FIRM NO.10056200
GEOSCIENCE FIRM NO. 50538



KENNETH L. CRIDER P.G. #4555

ATTACHMENT C – SITE GEOLOGY
GEORGETOWN HIGH SCHOOL AG FACILITIES GEORGETOWN I.S.D.

The site is a portion of the Georgetown High School Campus being roughly 5.2 acres in size. The majority of the site is covered by existing paved drives, paved parking, a practice field, a putting green, a detention pond and buildings.

The geologic formation within the site is the Georgetown Formation. The formation is covered within the site but outcrops can be seen along the banks of Pecan Branch Creek approximately 300 feet to the northeast.

There were no Karst features such as caves or sinkholes found within the site.

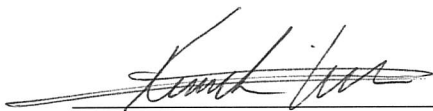
There were no structural features such as faults or fracture zones found within the site. There are no faults mapped through the site on area geologic maps. There is a dominant northeast trending fault approximately 1800 feet northwest of the site as shown on a map of the Geology of the Georgetown Quadrangle, prepared by E. W. Collins.

There were no manmade features found within the site. Surface evidence indicates that underground utilities such as but not limited to water and sanitary sewer exist within the site. None of these utilities had trench subsidence indicating the leaching of fines by ground water and were not considered as potential recharge features.

Given the lack of recharge features combined with the clay soil cover the potential for rapid fluid movement to the Edward's Aquifer is very low.

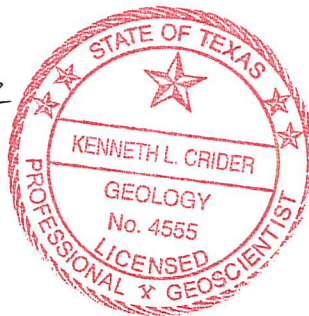
In regards to the City of Georgetown's Water Quality Regulations (Ordinance 2013-59) I Kenneth L. Crider do hereby certify that there are no streams within the site. There are no springs within the site. There are no seeps within the site. I further certify that the site is not within 300 meters (984 feet) of an occupied site.

NOTE: It is the intent of this assessment to identify all potential recharge features. Smaller features within the site could be covered or otherwise camouflaged. In the event a sensitive feature is discovered during the construction phase of this project work around the feature should be halted and TCEQ notified.

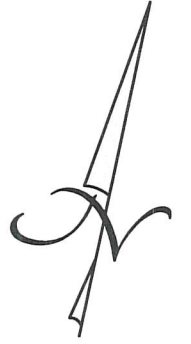


Kenneth L. Crider, PG #4555
Texas Land Surveying, Inc.
3613 Williams Drive, Suite 903
Georgetown Texas 78628
Geoscience FIRM #50538

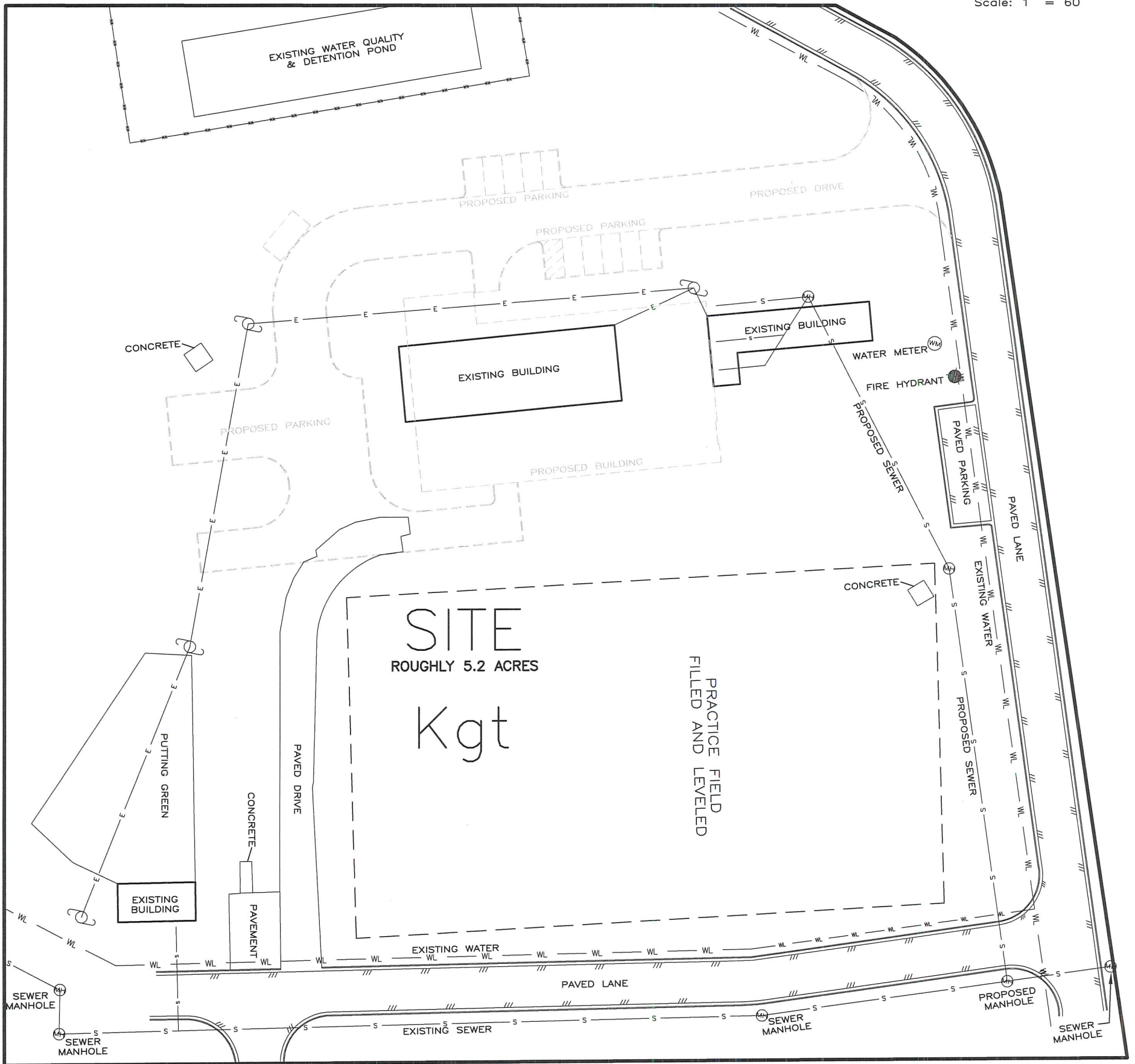
11-2222



ATTACHMENT D SITE GEOLOGIC MAP
 GEORGETOWN HIGH SCHOOL AG FACILITIES GEORGETOWN I.S.D.



Scale: 1" = 60'



GEORGETOWN FORMATION (Kgt) COVERED, TYPICALLY LIMESTONE AND SOME MARL, LIMESTONE NODULAR TO BEDDED, GRAY TO TAN, SOFT TO HARD AND BRITTLE NUMEROUS MARINE FOSSILS, THICKNESS 30' TO 80' THINS SOUTHWARD PER THE GEOLOGIC ATLAS OF TEXAS AUSTIN SHEET, 65' TO 110' THICKENS NORTHWARD PER GEOLOGY OF THE GEORGETOWN REGION BY E.W. COLLINS

OVERLAY OF IMPROVEMENTS AND SITE PLAN SHOWN HEREON PROVIDED BY THE PROJECT ENGINEER, STEGER BIZZELL. 1978 SOUTH AUSTIN AVENUE, GEORGETOWN TEXAS, 78626

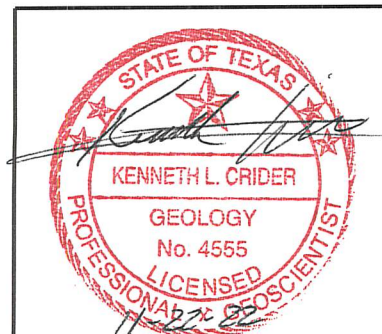
THIS AREA DOES NOT APPEAR TO BE IN SPECIAL FLOOD HAZARD AREAS PER FEMA'S FLOOD INSURANCE RATE MAP #48491C0295E, DATED SEPT. 26, 2008.

THIS SITE LIES ENTIRELY WITHIN THE EDWARDS AQUIFER RECHARGE ZONE

JOB NO:221561

Texas Land Surveying, Inc.

—A Land Surveying and Geoscience Firm—
 3613 Williams Drive, Suite 903 — Georgetown, Texas 78628
 (512) 930-1600/(512) 930-9389 fax www.texas-ls.com
 TBPLS FIRM NO.10056200 GEOSCIENCE FIRM NO.50538



KENNETH L. CRIDER, PG #4555

Recharge and Transition Zone Exception Request Form

Texas Commission on Environmental Quality

30 TAC §213.9 Effective June 1, 1999

To ensure that the application is administratively complete, confirm that all fields in the form are complete, verify that all requested information is provided, consistently reference the same site and contact person in all forms in the application, and ensure forms are signed by the appropriate party.

Note: Including all the information requested in the form and attachments contributes to more streamlined technical reviews.

Signature

To the best of my knowledge, the responses to this form accurately reflect all information requested concerning the proposed regulated activities and methods to protect the Edwards Aquifer. This **Recharge and Transition Zone Exception Request Form** is hereby submitted for TCEQ review and executive director approval. The request was prepared by:

Print Name of Customer/Agent: BRYAN E. MOORE, P.E.

Date: 3/20/2024

Signature of Customer/Agent:



Regulated Entity Name: GEORGETOWN HIGH SCHOOL AG FACILITY

Exception Request

- Attachment A - Nature of Exception.** A narrative description of the nature of each exception requested is attached. All provisions of 30 TAC §213 Subchapter A for which an exception is being requested have been identified in the description.
- Attachment B - Documentation of Equivalent Water Quality Protection.** Documentation demonstrating equivalent water quality protection for the Edwards Aquifer is attached.

Administrative Information

- Submit one (1) original and one (1) copy of the application, plus additional copies as needed for each affected incorporated city, groundwater conservation district, and county in which the project will be located. The TCEQ will distribute the additional copies to these jurisdictions. The copies must be submitted to the appropriate regional office.
- The applicant understands that no exception will be granted for a prohibited activity in Chapter 213.
- The applicant understands that prior approval under this section must be obtained from the executive director for the exception to be authorized.

Attachment A – Nature of Exception

Development of the Georgetown High School (GHS) campus began in the 1970's with construction of the original High School Building, Athletic Field House, parking areas, tennis courts and athletic field. Over the years, new buildings, building additions, parking areas and athletic fields have been constructed throughout the campus.

In 1997, a WPAP application was submitted to and subsequently approved by the TCEQ Edwards office to cover construction of a 9th Grade Center, Performing Arts Center and parking lot expansions. A copy of the approval letter is attached directly behind this page. As a part of this construction project, water quality ponds and detention ponds were constructed to mitigate storm water from the expansion project area.

In 2006, an additional 5-acre tract was added to the campus area. The total area of the campus was enlarged 94.57 acres. A WPAP was filed with the TCEQ to cover the construction of a new stadium and new stadium parking areas at GHS. Four buildings were constructed under the visitor side. The project also included removing existing buildings at the Bus barn lot and resurfacing the parking lot. A remote playing field was also replaced with an artificial turf system. Surface fill from the project was placed within the flood plain.

In 2011, construction began on the expansion of the Georgetown High School gym, cafeteria and library. Major renovation inside of the main building also took place. In addition to the proposed building expansion and renovation, existing parking lots on the west, north and east side of the main building were removed or reconstructed. At the main entrance on the west side of the existing building, the parking layout was revised to accommodate a building expansion and realignment of the existing driveway. The project was constructed in one phase over two years. Additional BMP's were not required as the scope of the project improvements did not increase the overall amount of impervious cover on the site.

In 2019-2020, Georgetown ISD constructed an enclosed corridor from the main High School building to the Annex to improve campus security for students and staff. Revisions to existing driveways were required to accommodate the corridor.

The site has an approved impervious cover amount of 1,874,689 sf (43.04 acres). This represents 45.5% of the 94.67-acre site. With the proposed corridor project improvements, the impervious cover decreased to 1,843,330 sf (42.3 acres). This represents 44.7% of the site. This proposed impervious cover amount included the planned demolition and site improvements and excluded the planned "Senior" parking lot that was approved with the 2011 Site Plan and never constructed.

This is a request for an exception to providing a WPAP Modification for the proposed site improvements associated with the construction of Ag Facilities on the

GHS campus. the project includes the demolition of the existing Ag facilities and the construction of a new Ag building with associated parking and utility extensions. The utility improvements include wastewater, water and fire lines.

With the construction of these Ag improvements, the amount of impervious cover associated with this project (42.97 acres) will be less than the impervious cover previously approved (43.04 acres) in 2011. A detailed summary of the impervious cover along with planned demolition and site improvements are included in the construction plans attached at the end of this WPAP Exception application.

This is a request for an exception to providing a WPAP Modification for the proposed site improvements mentioned above. The site qualifies for an exception request due to minor improvements proposed and that runoff from the improvements drain to an existing sedimentation/filtration pond located on Stadium Drive.

Attachment B – Documentation of Equivalent Water Quality

In the proposed state, the site will have 45.4% impervious cover. The equivalent water quality protection is the existing sedimentation/sand filtration water quality pond located on Stadium Drive and the minimal increase in overall impervious cover.

Temporary Stormwater Section

Texas Commission on Environmental Quality

for Regulated Activities on the Edwards Aquifer Recharge Zone and Relating to 30 TAC §213.5(b)(4)(A), (B), (D)(I) and (G); Effective June 1, 1999

To ensure that the application is administratively complete, confirm that all fields in the form are complete, verify that all requested information is provided, consistently reference the same site and contact person in all forms in the application, and ensure forms are signed by the appropriate party.

Note: Including all the information requested in the form and attachments contributes to more streamlined technical reviews.

Signature

To the best of my knowledge, the responses to this form accurately reflect all information requested concerning the proposed regulated activities and methods to protect the Edwards Aquifer. This **Temporary Stormwater Section** is hereby submitted for TCEQ review and executive director approval. The application was prepared by:

Print Name of Customer/Agent: BRYAN E. MOORE, P.E.

Date: 4/08/2024

Signature of Customer/Agent:



Regulated Entity Name: GEORGETOWN HIGH SCHOOL AG FACILITY

Project Information

Potential Sources of Contamination

Examples: Fuel storage and use, chemical storage and use, use of asphaltic products, construction vehicles tracking onto public roads, and existing solid waste.

1. Fuels for construction equipment and hazardous substances which will be used during construction:

The following fuels and/or hazardous substances will be stored on the site: _____

These fuels and/or hazardous substances will be stored in:

- Aboveground storage tanks with a cumulative storage capacity of less than 250 gallons will be stored on the site for less than one (1) year.

- Aboveground storage tanks with a cumulative storage capacity between 250 gallons and 499 gallons will be stored on the site for less than one (1) year.
- Aboveground storage tanks with a cumulative storage capacity of 500 gallons or more will be stored on the site. An Aboveground Storage Tank Facility Plan application must be submitted to the appropriate regional office of the TCEQ prior to moving the tanks onto the project.
- Fuels and hazardous substances will not be stored on the site.
- 2. **Attachment A - Spill Response Actions.** A site specific description of the measures to be taken to contain any spill of hydrocarbons or hazardous substances is attached.
- 3. Temporary aboveground storage tank systems of 250 gallons or more cumulative storage capacity must be located a minimum horizontal distance of 150 feet from any domestic, industrial, irrigation, or public water supply well, or other sensitive feature.
- 4. **Attachment B - Potential Sources of Contamination.** A description of any activities or processes which may be a potential source of contamination affecting surface water quality is attached.

Sequence of Construction

- 5. **Attachment C - Sequence of Major Activities.** A description of the sequence of major activities which will disturb soils for major portions of the site (grubbing, excavation, grading, utilities, and infrastructure installation) is attached.
 - For each activity described, an estimate (in acres) of the total area of the site to be disturbed by each activity is given.
 - For each activity described, include a description of appropriate temporary control measures and the general timing (or sequence) during the construction process that the measures will be implemented.
- 6. Name the receiving water(s) at or near the site which will be disturbed or which will receive discharges from disturbed areas of the project: PECAN BRANCH

Temporary Best Management Practices (TBMPs)

Erosion control examples: tree protection, interceptor swales, level spreaders, outlet stabilization, blankets or matting, mulch, and sod. Sediment control examples: stabilized construction exit, silt fence, filter dikes, rock berms, buffer strips, sediment traps, and sediment basins. Please refer to the Technical Guidance Manual for guidelines and specifications. All structural BMPs must be shown on the site plan.

- 7. **Attachment D – Temporary Best Management Practices and Measures.** TBMPs and measures will prevent pollution of surface water, groundwater, and stormwater. The construction-phase BMPs for erosion and sediment controls have been designed to retain sediment on site to the extent practicable. The following information is attached:

- A description of how BMPs and measures will prevent pollution of surface water, groundwater or stormwater that originates upgradient from the site and flows across the site.
 - A description of how BMPs and measures will prevent pollution of surface water or groundwater that originates on-site or flows off site, including pollution caused by contaminated stormwater runoff from the site.
 - A description of how BMPs and measures will prevent pollutants from entering surface streams, sensitive features, or the aquifer.
 - A description of how, to the maximum extent practicable, BMPs and measures will maintain flow to naturally-occurring sensitive features identified in either the geologic assessment, TCEQ inspections, or during excavation, blasting, or construction.
8. The temporary sealing of a naturally-occurring sensitive feature which accepts recharge to the Edwards Aquifer as a temporary pollution abatement measure during active construction should be avoided.
- Attachment E - Request to Temporarily Seal a Feature.** A request to temporarily seal a feature is attached. The request includes justification as to why no reasonable and practicable alternative exists for each feature.
 - There will be no temporary sealing of naturally-occurring sensitive features on the site.
9. **Attachment F - Structural Practices.** A description of the structural practices that will be used to divert flows away from exposed soils, to store flows, or to otherwise limit runoff discharge of pollutants from exposed areas of the site is attached. Placement of structural practices in floodplains has been avoided.
10. **Attachment G - Drainage Area Map.** A drainage area map supporting the following requirements is attached:
- For areas that will have more than 10 acres within a common drainage area disturbed at one time, a sediment basin will be provided.
 - For areas that will have more than 10 acres within a common drainage area disturbed at one time, a smaller sediment basin and/or sediment trap(s) will be used.
 - For areas that will have more than 10 acres within a common drainage area disturbed at one time, a sediment basin or other equivalent controls are not attainable, but other TBMPs and measures will be used in combination to protect down slope and side slope boundaries of the construction area.
 - There are no areas greater than 10 acres within a common drainage area that will be disturbed at one time. A smaller sediment basin and/or sediment trap(s) will be used in combination with other erosion and sediment controls within each disturbed drainage area.

- There are no areas greater than 10 acres within a common drainage area that will be disturbed at one time. Erosion and sediment controls other than sediment basins or sediment traps within each disturbed drainage area will be used.
11. **Attachment H - Temporary Sediment Pond(s) Plans and Calculations.** Temporary sediment pond or basin construction plans and design calculations for a proposed temporary BMP or measure have been prepared by or under the direct supervision of a Texas Licensed Professional Engineer. All construction plans and design information must be signed, sealed, and dated by the Texas Licensed Professional Engineer. Construction plans for the proposed temporary BMPs and measures are attached.
- N/A
12. **Attachment I - Inspection and Maintenance for BMPs.** A plan for the inspection of each temporary BMP(s) and measure(s) and for their timely maintenance, repairs, and, if necessary, retrofit is attached. A description of the documentation procedures, recordkeeping practices, and inspection frequency are included in the plan and are specific to the site and/or BMP.
13. All control measures must be properly selected, installed, and maintained in accordance with the manufacturer's specifications and good engineering practices. If periodic inspections by the applicant or the executive director, or other information indicate a control has been used inappropriately, or incorrectly, the applicant must replace or modify the control for site situations.
14. If sediment escapes the construction site, off-site accumulations of sediment must be removed at a frequency sufficient to minimize offsite impacts to water quality (e.g., fugitive sediment in street being washed into surface streams or sensitive features by the next rain).
15. Sediment must be removed from sediment traps or sedimentation ponds not later than when design capacity has been reduced by 50%. A permanent stake will be provided that can indicate when the sediment occupies 50% of the basin volume.
16. Litter, construction debris, and construction chemicals exposed to stormwater shall be prevented from becoming a pollutant source for stormwater discharges (e.g., screening outfalls, picked up daily).

Soil Stabilization Practices

Examples: establishment of temporary vegetation, establishment of permanent vegetation, mulching, geotextiles, sod stabilization, vegetative buffer strips, protection of trees, or preservation of mature vegetation.

17. **Attachment J - Schedule of Interim and Permanent Soil Stabilization Practices.** A schedule of the interim and permanent soil stabilization practices for the site is attached.

18. Records must be kept at the site of the dates when major grading activities occur, the dates when construction activities temporarily or permanently cease on a portion of the site, and the dates when stabilization measures are initiated.
19. Stabilization practices must be initiated as soon as practicable where construction activities have temporarily or permanently ceased.

Administrative Information

20. All structural controls will be inspected and maintained according to the submitted and approved operation and maintenance plan for the project.
21. If any geologic or manmade features, such as caves, faults, sinkholes, etc., are discovered, all regulated activities near the feature will be immediately suspended. The appropriate TCEQ Regional Office shall be immediately notified. Regulated activities must cease and not continue until the TCEQ has reviewed and approved the methods proposed to protect the aquifer from any adverse impacts.
22. Silt fences, diversion berms, and other temporary erosion and sediment controls will be constructed and maintained as appropriate to prevent pollutants from entering sensitive features discovered during construction.

Attachment A – Spill Response Actions

Because fuels and hazardous substances will be provided by an off-site facility, no on-site containment procedures are provided for in this WPAP.

The objective of this section is to describe measures to prevent or reduce the discharge of pollutants to drainage systems or watercourses from leaks and spills by reducing the chance for spills, stopping the source of spills, containing and cleaning up spills, properly disposing of spill materials, and training employees. The following steps will help reduce the storm water impacts of leaks and spills:

Education

1. Be aware that different materials pollute in different amounts. Make sure that each employee knows what a “significant spill” is for each material they use, and what is the appropriate response for “significant” and “insignificant” spills. Employees should also be aware of when spill must be reported to the TCEQ. Information available in 30 TAC 327.4 and 40 CFR 302.4.
2. Educate employees and subcontractors on potential dangers to humans and the environment from spills and leaks.
3. Hold regular meetings to discuss and reinforce appropriate disposal procedures (incorporate into regular safety meetings).
4. Establish a continuing education program to indoctrinate new employees.
5. Have contractor’s superintendent or representative oversee and enforce proper spill prevention and control measures.

General Measures

1. To the extent that the work can be accomplished safely, spills of oil, petroleum products, and substances listed under 40 CFR parts 110,117, and 302, and sanitary and septic wastes should be contained and cleaned up immediately.
2. Store hazardous materials and wastes in covered containers and protect from vandalism.
3. Place a stockpile of spill cleanup materials where it will be readily accessible.
4. Train employees in spill prevention and cleanup.
5. Designate responsible individuals to oversee and enforce control measures.
6. Spills should be covered and protected from storm water runoff during rainfall to the extent that it doesn’t compromise clean up activities.
7. Do not bury or wash spills with water.
8. Store and dispose of used clean up materials, contaminated materials, and recovered spill material that is no longer suitable for the intended purpose in conformance with the provisions in applicable BMPs.
9. Do not allow water used for cleaning and decontamination to enter storm drains or watercourses. Collect and dispose of contaminated water in accordance with applicable regulations.

10. Contain water overflow or minor water spillage and do not allow it to discharge into drainage facilities or watercourses.
11. Place Material Safety Data Sheets (MSDS), as well as proper storage, cleanup, and spill reporting instructions for hazardous materials stored or used on the project site in an open, conspicuous, and accessible location.
12. Keep waste storage areas clean, well organized, and equipped with ample cleanup supplies as appropriate for the materials being stored. Perimeter controls, containment structures, covers, and liners should be repaired or replaced as needed to maintain proper function.

Cleanup

1. Clean up leaks and spills immediately.
2. Use a rag for small spills on paved surfaces, a damp mop for general cleanup, and absorbent material for larger spills. If the spilled material is hazardous, then the used cleanup materials are also hazardous and must be disposed of as hazardous waste.
3. Never hose down or bury dry material spills. Clean up as much of the material as possible and dispose of properly. See the waste management BMPs in this section for specific information.

Minor Spills

1. Minor spills typically involve small quantities of oil, gasoline, paint, etc. which can be controlled by the first responder at the discovery of the spill.
2. Use absorbent materials on small spills rather than hosing down or burying the spill.
3. Absorbent materials should be promptly removed and disposed of properly.
4. Follow the practice below for a minor spill:
5. Contain the spread of the spill.
6. Recover spilled materials.
7. Clean the contaminated area and properly dispose of contaminated materials.

Semi-Significant Spills

Semi-significant spills still can be controlled by the first responder along with the aid of other personnel such as laborers and the foreman, etc. This response may require the cessation of all other activities.

Spills should be cleaned up immediately:

1. Contain spread of the spill.
2. Notify the project foreman immediately.
3. If the spill occurs on paved or impermeable surfaces, clean up using "dry" methods (absorbent materials, cat litter and/or rags). Contain the spill by encircling with absorbent materials and do not let the spill spread widely.
4. If the spill occurs in dirt areas, immediately contain the spill by constructing an earthen dike. Dig up and properly dispose of contaminated soil.

5. If the spill occurs during rain, cover spill with tarps or other material to prevent contaminating runoff.

Significant/Hazardous Spills

For significant or hazardous spills that are in reportable quantities:

1. Notify the TCEQ by telephone as soon as possible and within 24 hours at 512-339-2929 (Austin) or 210-490-3096 (San Antonio) between 8 AM and 5 PM. After hours, contact the Environmental Release Hotline at 1-800-832-8224. It is the contractor's responsibility to have all emergency phone numbers at the construction site.
2. For spills of federal reportable quantities, in conformance with the requirements in 40 CFR parts 110, 119, and 302, the contractor should notify the National Response Center at (800) 424-8802.
3. Notification should first be made by telephone and followed up with a written report.
4. The services of a spills contractor or a Haz-Mat team should be obtained immediately. Construction personnel should not attempt to clean up until the appropriate and qualified staffs have arrived at the job site.
5. Other agencies which may need to be consulted include, but are not limited to, the City Police Department, County Sheriff Office, Fire Departments, etc.

Vehicle and Equipment Maintenance

1. If maintenance must occur onsite, use a designated area and a secondary containment, located away from drainage courses, to prevent the runoff of storm water and the runoff of spills.
2. Regularly inspect onsite vehicles and equipment for leaks and repair immediately.
3. Check incoming vehicles and equipment (including delivery trucks, and employee and subcontractor vehicles) for leaking oil and fluids. Do not allow leaking vehicles or equipment onsite.
4. Always use secondary containment, such as a drain pan or drop cloth, to catch spills or leaks when removing or changing fluids.
5. Place drip pans or absorbent materials under paving equipment when not in use.
6. Use absorbent materials on small spills rather than hosing down or burying the spill. Remove the absorbent materials promptly and dispose of properly.
7. Promptly transfer used fluids to the proper waste or recycling drums. Don't leave full drip pans or other open containers lying around.
8. Oil filters disposed of in trashcans or dumpsters can leak oil and pollute storm water. Place the oil filter in a funnel over a waste oil-recycling drum to drain excess oil before disposal. Oil filters can also be recycled. Ask the oil supplier or recycler about recycling oil filters.
9. Store cracked batteries in a non-leaking secondary container. Do this with all cracked batteries even if you think all the acid has drained out. If you drop a battery, treat it as if it is cracked. Put it into the containment area until you are sure it is not leaking.

Vehicle and Equipment Fueling

1. If fueling must occur on site, use designated areas, located away from drainage courses, to prevent the runoff of storm water and the runoff of spills.
2. Discourage “topping off” of fuel tanks.
3. Always use secondary containment, such as a drain pan, when fueling to catch spills/ leaks.

If a spill should occur, the person responsible for the spill should contact the TCEQ at (512) 339-2929 or call 911. Also, see the following link to the TCEQ website for additional information https://www.tceq.texas.gov/response/spills/spill_rq.html.

Soil contaminated by spills that occur on-site will be removed and disposed at an approved disposal site.

Attachment B – Potential Sources of Contamination

- Hydraulic and diesel spills.
 - Malfunctioning toilet system and spills on site.
 - Trash from construction workers.
 - Paints, glues, and other building materials.
 - Inadequate maintenance of temporary water pollution abatement measures
- Sediment transfer due to construction activities

Attachment C – Sequence of Major Activities

The following sequence of activities is suggested. The sequence of construction will take place in one phase. The actual sequence may vary, as permitted by the engineer, depending on the contractor or weather conditions.

1. Construction activities will commence with the installation of the required erosion and sedimentation control. The project will be constructed in one phase.
2. Excavation will take place where the proposed building, driveway, and utilities will be situated. Spoils of this material may be placed at a location on the project site as directed by the contractor and approved by the engineer or hauled off-site. These spoils and any other loose granular material will be enclosed by a silt fence. The total area disturbed by construction is approximately 4.8 acres.
3. Grading on the site will consist of the placement and compaction of base or select fill material under and/or around the proposed building and driveways. Approximately 4.8 acres will be disturbed.
4. The installation of utilities will disturb a small portion of the site. Proposed utility improvements include the construction of 18" storm sewer, 2" water line, 8" fire line, and 6" wastewater lines.
5. Subsequent to the construction of the site improvements. Disturbed areas will be hydro-mulched or seeded.
6. Once vegetation is established on the site, Temporary BMPs will be removed as allowed by the engineer.

Attachment D – Temporary Best Management Practices and Measures

The following sequence of activities is suggested. The actual sequence may vary slightly depending on the contractor or weather conditions.

1. Construction activities will commence with the installation of the required erosion and sedimentation control. The project will be constructed in one phase.
2. Excavation will take place where the proposed building, driveway, and utilities will be situated. Spoils of this material may be placed at a location on the project site as directed by the contractor and approved by the engineer or hauled off-site. These spoils and any other loose granular material will be enclosed by a silt fence. The total area disturbed by construction is approximately 4.8 acres. **Silt fence, inlet protection, concrete washout, and Stabilized Construction Entrance will be utilized as the control measure.**
3. Grading on the site will consist of the placement and compaction of base or select fill material under and/or around the proposed building and driveways. Approximately 4.8 acres will be disturbed. **Silt fence, inlet protection, concrete washout, and Stabilized Construction Entrance will be utilized as the control measure.**
4. The installation of utilities will disturb a small portion of the site. Proposed utility improvements include the construction of 18" storm sewer, 2" water line, 8" fire line, and 6" wastewater lines. **Silt fence, inlet protection, concrete washout and Stabilized Construction Entrance will be utilized as the control measure.**
5. Subsequent to the construction of the site improvements. Disturbed areas will be hydro-mulched or seeded. **Silt fence, inlet protection, concrete washout, and Stabilized Construction Entrance will be utilized as the control measure.**
6. Once vegetation is established on the site, Temporary BMPs will be removed as allowed by the engineer.

All surface runoff originating up-gradient or on site will be contained within the proposed silt fence and inlet protection. The silt fence and inlet protection will be the control measures. The silt fence and stabilized construction entrance will trap most pollutants and prevent them from entering off-site surface streams, sensitive features or the aquifer.

Attachment F – Structural Practices

No structural practices will be utilized to divert flows away from exposed soils or to store flows as upstream areas of the site are undeveloped or are being developed under a separate project with temporary BMPs.

A silt fence will be used to limit the runoff discharge of sediments from exposed areas on the site.

Attachment G – Drainage Area Map

A Drainage Map has not been provided in the construction plans. The total limits of construction are 4.8 acres.

Attachment I – Inspection and Maintenance for BMPs

Silt fences

1. Inspect all fences weekly and after any rainfall.
2. Remove sediment when buildup reaches 6 inches or install a second line of fencing parallel to the old fence.
3. Replace any torn fabric or install a second line of fencing parallel to the torn section.
4. Replace or repair any sections crushed or collapsed in the course of construction activity. If a section of fence is obstructing vehicular access, consider relocating it to a spot where it will provide equal protection, but will not obstruct vehicles. A triangular filter dike may be preferable to a silt fence at common vehicle access points.

Concrete Washout Areas

The purpose of concrete washout areas is to prevent or reduce the discharge of pollutants to storm water from concrete waste by conducting washout offsite, performing onsite washout in a designated area, and training employees and subcontractors.

The following steps will help reduce storm water pollution from concrete wastes:

- Incorporate requirements for concrete waste management into material supplier and subcontractor agreements.
- Avoid mixing excess amounts of fresh concrete.
- Perform washout of concrete trucks in designated areas only.
- Do not wash out concrete trucks into storm drains, open ditches, streets, or streams.
- Do not allow excess concrete to be dumped onsite, except in designated areas.

For onsite washout:

- Locate washout area at least 50 feet from sensitive features, storm drains, open ditches, or water bodies. Do not allow runoff from this area by constructing a temporary pit or bermed area large enough for liquid and solid waste.
- Wash out wastes into the temporary pit where the concrete can set, be broken up, and then disposed properly.

Below grade concrete washout facilities are typical. These consist of a lined excavation sufficiently large to hold expected volume of washout material. Above grade facilities are used if excavation is not practical. Temporary concrete washout facility (type above grade) should be constructed as shown on the details at the end of this section, with sufficient quantity and volume to contain all liquid and concrete waste generated by washout operations. Plastic lining material should be a minimum of 10 mil in polyethylene sheeting and should be free of holes, tears, or other defects that compromise the impermeability of the material.

When temporary concrete washout facilities are no longer required for the work, the hardened concrete should be removed and disposed of. Materials used to construct temporary concrete washout facilities should be removed from the site of the work and disposed of. Holes, depressions or other ground disturbance caused by the removal of the temporary concrete washout facilities should be backfilled and repaired.

Temporary Construction Entrance/Exit

1. Inspect the temporary construction entrance/exit weekly and after any rainfall.
2. The entrance should be maintained in a condition, which will prevent tracking or flowing of sediment onto public rights-of-way. This may require periodic top dressing with additional stone as conditions demand and repair and/or cleanout of any measures used to trap sediment.
3. All sediment spilled, dropped, washed or tracked on to public rights-of-way should be removed immediately by the contractor.
4. When necessary, wheels should be cleaned to remove sediment prior to entrance onto public right-of way.

The following sample form should be utilized to document the inspection and maintenance of the proposed temporary BMPs as described above. This form shall be kept on site with the WPAP until the project is completed.

Temporary BMP Log

Date:

Date of last inspection:

Inspection performed by:

Title:

Company:

Status of BMP(s):

Corrective action required (if any):

Date corrective action completed:

Attachment J – Schedule of Interim and Permanent Soil Stabilization Practices

Vehicular traffic should be limited to areas of the project site where construction will take place. The contractor should endeavor to preserve existing vegetation as much as practicable to reduce erosion and lower the cost associated with stabilization. **Records must be kept at the site of the dates when major grading activities occur, the dates when construction activities temporarily or permanently cease on a portion of the site, and the dates when stabilization measures are initiated.**

All disturbed areas shall be stabilized as described below.

Except as provided for below, stabilization measures shall be initiated as soon as practicable in portions of the site where construction activities have temporarily or permanently ceased, but in no case more than 14 days after the construction activity in that portion of the site has temporarily or permanently ceased.

- A. Where the initiation of stabilization measures by the 14th day after construction activity temporarily or permanently ceases is precluded by snow cover or frozen ground conditions, stabilization measures shall be initiated as soon as practicable.
- B. Where construction activity on a portion of the site has temporarily ceased, and earth-disturbing activities will be resumed within 21 days, temporary stabilization measures do not have to be initiated on that portion of the site.
- C. In areas experiencing drought, where the initiation of stabilization measures by the 14th day after construction activity has temporarily or permanently ceased is precluded by seasonal arid conditions, stabilization measures shall be initiated as soon as practicable.

Stabilization measures as described as follows:

All disturbed grass areas should be planted in drought resistant species normally grown as permanent lawns, such as Zoysia, Bermuda and Buffalo. Grass areas may be sodded, plugged, sprigged or seeded except that solid sod shall be used in swales or other areas subject to erosion. All planted areas shall be provided with a readily available water supply and watered as necessary to ensure continuous healthy growth and development. Maintenance shall include the replacement of all dead plant material if that material was used to meet the requirements of this section.

Agent Authorization Form
For Required Signature
Edwards Aquifer Protection Program
Relating to 30 TAC Chapter 213
Effective June 1, 1999

I Jimmy Jones,
Print Name
GISD Director of Construction & Development,
Title - Owner/President/Other
of Georgetown Independent School District,
Corporation/Partnership/Entity Name
have authorized Bryan E. Moore, P.E.
Print Name of Agent/Engineer
of Steger Bizzell
Print Name of Firm

to represent and act on the behalf of the above named Corporation, Partnership, or Entity for the purpose of preparing and submitting this plan application to the Texas Commission on Environmental Quality (TCEQ) for the review and approval consideration of regulated activities.

I also understand that:

1. The applicant is responsible for compliance with 30 Texas Administrative Code Chapter 213 and any condition of the TCEQ's approval letter. The TCEQ is authorized to assess administrative penalties of up to \$10,000 per day per violation.
2. For those submitting an application who are not the property owner, but who have the right to control and possess the property, additional authorization is required from the owner.
3. Application fees are due and payable at the time the application is submitted. The application fee must be sent to the TCEQ cashier or to the appropriate regional office. The application will not be considered until the correct fee is received by the commission.
4. A notarized copy of the Agent Authorization Form must be provided for the person preparing the application, and this form must accompany the completed application.
5. No person shall commence any regulated activity on the Edwards Aquifer Recharge Zone, Contributing Zone or Transition Zone until the appropriate application for the activity has been filed with and approved by the Executive Director.

SIGNATURE PAGE:

[Signature]
Applicant's Signature

3/22/24
Date

THE STATE OF Texas §

County of Williamson §

BEFORE ME, the undersigned authority, on this day personally appeared Jimmy Jones known to me to be the person whose name is subscribed to the foregoing instrument, and acknowledged to me that he executed same for the purpose and consideration therein expressed.

GIVEN under my hand and seal of office on this 22 day of March, 2024.

[Signature]
NOTARY PUBLIC

Rachel Munoz
Typed or Printed Name of Notary



MY COMMISSION EXPIRES: 01/29/2028

Application Fee Form

Texas Commission on Environmental Quality

Name of Proposed Regulated Entity: GEORGETOWN HIGH SCHOOL AG FACILITY

Regulated Entity Location: 2211 N. AUSTIN AVE, GEORGETOWN, TX 78626

Name of Customer: GEORGETOWN ISD

Contact Person: BRYAN E. MOORE, P.E.

Phone: 512-930-9412

Customer Reference Number (if issued): CN 6000916712

Regulated Entity Reference Number (if issued): RN 106218407

Austin Regional Office (3373)

Hays

Travis

Williamson

San Antonio Regional Office (3362)

Bexar

Medina

Uvalde

Comal

Kinney

Application fees must be paid by check, certified check, or money order, payable to the **Texas Commission on Environmental Quality**. Your canceled check will serve as your receipt. **This form must be submitted with your fee payment.** This payment is being submitted to:

Austin Regional Office

San Antonio Regional Office

Mailed to: TCEQ - Cashier

Overnight Delivery to: TCEQ - Cashier

Revenues Section

12100 Park 35 Circle

Mail Code 214

Building A, 3rd Floor

P.O. Box 13088

Austin, TX 78753

Austin, TX 78711-3088

(512)239-0357

Site Location (Check All That Apply):

Recharge Zone

Contributing Zone

Transition Zone

Type of Plan	Size	Fee Due
Water Pollution Abatement Plan, Contributing Zone Plan: One Single Family Residential Dwelling	Acres	\$
Water Pollution Abatement Plan, Contributing Zone Plan: Multiple Single Family Residential and Parks	Acres	\$
Water Pollution Abatement Plan, Contributing Zone Plan: Non-residential	Acres	\$
Sewage Collection System	L.F.	\$
Lift Stations without sewer lines	Acres	\$
Underground or Aboveground Storage Tank Facility	Tanks	\$
Piping System(s)(only)	Each	\$
Exception	1 Each	\$ 500
Extension of Time	Each	\$

Signature: 

Date: 3/20/2024

Application Fee Schedule

Texas Commission on Environmental Quality

Edwards Aquifer Protection Program 30 TAC Chapter 213 (effective 05/01/2008)

Water Pollution Abatement Plans and Modifications

Contributing Zone Plans and Modifications

Project	Project Area in Acres	Fee
One Single Family Residential Dwelling	< 5	\$650
Multiple Single Family Residential and Parks	< 5	\$1,500
	5 < 10	\$3,000
	10 < 40	\$4,000
	40 < 100	\$6,500
	100 < 500	\$8,000
	≥ 500	\$10,000
Non-residential (Commercial, industrial, institutional, multi-family residential, schools, and other sites where regulated activities will occur)	< 1	\$3,000
	1 < 5	\$4,000
	5 < 10	\$5,000
	10 < 40	\$6,500
	40 < 100	\$8,000
	≥ 100	\$10,000

Organized Sewage Collection Systems and Modifications

Project	Cost per Linear Foot	Minimum Fee- Maximum Fee
Sewage Collection Systems	\$0.50	\$650 - \$6,500

Underground and Aboveground Storage Tank System Facility Plans and Modifications

Project	Cost per Tank or Piping System	Minimum Fee- Maximum Fee
Underground and Aboveground Storage Tank Facility	\$650	\$650 - \$6,500

Exception Requests

Project	Fee
Exception Request	\$500

Extension of Time Requests

Project	Fee
Extension of Time Request	\$150



TCEQ Use Only

TCEQ Core Data Form

For detailed instructions regarding completion of this form, please read the Core Data Form Instructions or call 512-239-5175.

SECTION I: General Information

1. Reason for Submission (If other is checked please describe in space provided.)		
<input checked="" type="checkbox"/> New Permit, Registration or Authorization (Core Data Form should be submitted with the program application.)		
<input type="checkbox"/> Renewal (Core Data Form should be submitted with the renewal form)	<input checked="" type="checkbox"/> Other WPAP EXCEPTION REQUEST	
2. Customer Reference Number (if issued)	Follow this link to search for CN or RN numbers in Central Registry**	3. Regulated Entity Reference Number (if issued)
CN 600916712		RN 106218407

SECTION II: Customer Information

4. General Customer Information		5. Effective Date for Customer Information Updates (mm/dd/yyyy)	
<input type="checkbox"/> New Customer		<input type="checkbox"/> Update to Customer Information	
<input type="checkbox"/> Change in Legal Name (Verifiable with the Texas Secretary of State or Texas Comptroller of Public Accounts)		<input type="checkbox"/> Change in Regulated Entity Ownership	
The Customer Name submitted here may be updated automatically based on what is current and active with the Texas Secretary of State (SOS) or Texas Comptroller of Public Accounts (CPA).			
6. Customer Legal Name (If an individual, print last name first: eg: Doe, John)		If new Customer, enter previous Customer below:	
7. TX SOS/CPA Filing Number	8. TX State Tax ID (11 digits)	9. Federal Tax ID (9 digits)	10. DUNS Number (if applicable)
11. Type of Customer:		Partnership: <input type="checkbox"/> General <input type="checkbox"/> Limited	
<input type="checkbox"/> Corporation		<input type="checkbox"/> Individual	
Government: <input type="checkbox"/> City <input type="checkbox"/> County <input type="checkbox"/> Federal <input type="checkbox"/> State <input type="checkbox"/> Other		<input type="checkbox"/> Sole Proprietorship <input type="checkbox"/> Other:	
12. Number of Employees		13. Independently Owned and Operated?	
<input type="checkbox"/> 0-20 <input type="checkbox"/> 21-100 <input type="checkbox"/> 101-250 <input type="checkbox"/> 251-500 <input type="checkbox"/> 501 and higher		<input type="checkbox"/> Yes <input type="checkbox"/> No	
14. Customer Role (Proposed or Actual) – as it relates to the Regulated Entity listed on this form. Please check one of the following:			
<input type="checkbox"/> Owner		<input type="checkbox"/> Operator	
<input type="checkbox"/> Occupational Licensee		<input type="checkbox"/> Owner & Operator	
<input type="checkbox"/> Responsible Party		<input type="checkbox"/> Voluntary Cleanup Applicant	
<input type="checkbox"/> Other:			
15. Mailing Address:			
City	State	ZIP	ZIP + 4
16. Country Mailing Information (if outside USA)		17. E-Mail Address (if applicable)	
18. Telephone Number		19. Extension or Code	20. Fax Number (if applicable)
() -			() -

SECTION III: Regulated Entity Information

21. General Regulated Entity Information (If 'New Regulated Entity' is selected below this form should be accompanied by a permit application)		
<input type="checkbox"/> New Regulated Entity <input type="checkbox"/> Update to Regulated Entity Name <input checked="" type="checkbox"/> Update to Regulated Entity Information		
The Regulated Entity Name submitted may be updated in order to meet TCEQ Agency Data Standards (removal of organizational endings such as Inc, LP, or LLC.)		
22. Regulated Entity Name (Enter name of the site where the regulated action is taking place.)		
GEORGETOWN HIGH SCHOOL AG FACILITY		

23. Street Address of the Regulated Entity: <i>(No PO Boxes)</i>	2211 NORTH AUSTIN AVE							
	City	GEORGETOWN	State	TX	ZIP	78626	ZIP + 4	
24. County								

Enter Physical Location Description if no street address is provided.

25. Description to Physical Location:	1.25 MILES NORTH OF THE AUSTIN AVE. AND WILLIAMS DRIVE INTERSECTION								
26. Nearest City	GEORGETOWN					State	TX	Nearest ZIP Code	78628
27. Latitude (N) In Decimal:	30.666049			28. Longitude (W) In Decimal:	-97.664696				
Degrees	Minutes	Seconds	Degrees	Minutes	Seconds				
29. Primary SIC Code (4 digits)	30. Secondary SIC Code (4 digits)		31. Primary NAICS Code (5 or 6 digits)		32. Secondary NAICS Code (5 or 6 digits)				
8299			611110						
33. What is the Primary Business of this entity? <i>(Do not repeat the SIC or NAICS description.)</i>									
EDUCATIONAL FACILITY									
34. Mailing Address:	506 E. UNIVERSITY AVE.								
	City	GEORGETOWN	State	TX	ZIP	78626	ZIP + 4		
35. E-Mail Address:		jonesj10@georgetownisd.org							
36. Telephone Number			37. Extension or Code		38. Fax Number <i>(if applicable)</i>				
(512) 943-5129					() -				

39. TCEQ Programs and ID Numbers Check all Programs and write in the permits/registration numbers that will be affected by the updates submitted on this form. See the Core Data Form instructions for additional guidance.

<input type="checkbox"/> Dam Safety	<input type="checkbox"/> Districts	<input checked="" type="checkbox"/> Edwards Aquifer	<input type="checkbox"/> Emissions Inventory Air	<input type="checkbox"/> Industrial Hazardous Waste
<input type="checkbox"/> Municipal Solid Waste	<input type="checkbox"/> New Source Review Air	<input type="checkbox"/> OSSF	<input type="checkbox"/> Petroleum Storage Tank	<input type="checkbox"/> PWS
<input type="checkbox"/> Sludge	<input type="checkbox"/> Storm Water	<input type="checkbox"/> Title V Air	<input type="checkbox"/> Tires	<input type="checkbox"/> Used Oil
<input type="checkbox"/> Voluntary Cleanup	<input type="checkbox"/> Waste Water	<input type="checkbox"/> Wastewater Agriculture	<input type="checkbox"/> Water Rights	<input type="checkbox"/> Other:
WPAP EXCEPTION				

SECTION IV: Preparer Information

40. Name:	BRYAN E. MOORE, P.E.	41. Title:	SENIOR ENGINEER
42. Telephone Number	43. Ext./Code	44. Fax Number	45. E-Mail Address
(512) 930-9412		(N/A) -	bmoore@stegerbizzell.com

SECTION V: Authorized Signature

46. By my signature below, I certify, to the best of my knowledge, that the information provided in this form is true and complete, and that I have signature authority to submit this form on behalf of the entity specified in Section II, Field 6 and/or as required for the updates to the ID numbers identified in field 39.

Company:	STEGER BIZZELL	Job Title:	ENGINEER
Name <i>(In Print)</i> :	BRYAN E. MOORE, P.E.	Phone:	(512) 930-9412
Signature:		Date:	3/20/2024

GEORGETOWN HIGH SCHOOL AG FACILITIES GEORGETOWN I.S.D.

2299 N. AUSTIN AVE.
CITY OF GEORGETOWN
WILLIAMSON COUNTY, TEXAS

SITE ADDRESS: 2298 N. Austin Ave.
Georgetown, TX, 78626

OWNER: Georgetown ISD
507 E. University Ave.
Georgetown, TX 78626
512-943-5129
web@georgetownisd.org
https://www.georgetownisd.org/

ARCHITECT: Huckabee
11501 Alterra Parkway, Building 7, Suite 120
Austin, TX 78758
(512) 428-8958
natalie.welch@huckabee-inc.com
https://www.huckabee-inc.com/contact/

MEP: Agnew Associates, Inc.
14205 Burnett Rd., Suite 200
Austin, TX 78628
512-828-0753
info@agnewassociates.com
https://agnewassociates.com/

ENGINEER/SURVEYOR: Steger Bizzell
1978 S. Austin Ave.
Georgetown, TX 78626
(512) 930-9412
info@stegerbizzell.com
https://stegerbizzell.com/

LANDSCAPE ARCHITECT: Studio 1619
305 W Liberty Ave., Suite 100
Round Rock, TX 78664
512-534-8880
bama@studio1619.com
https://studio1619.com/

ORIGINAL DATE: March 15, 2024

REVISION DATE: NOTE REVISIONS

IMPERVIOUS COVER: 70% Permissible

FLOODPLAIN: 100 year floodplain per F.E.M.A. Flood Insurance Rate Map No. 48491C0291F dated December 20, 2019. The Limits of Site Development are not encroached by the Existing 100 Year Floodplain.

ACREAGE: 94.67 Acres

LIMITS OF SITE DEVELOPMENT: 4.7 Acres

LEGAL DESCRIPTION: 5 Acres in the Antonio Flores Survey, Abstract 235, described in a deed to GISD recorded as Document No. 2006109843, Official Records of Williamson County, TX, Lot 1, Georgetown High School Subdivision, Recorded September 9th, 1997. Doc. No. 2001022034

PROPOSED USE: Educational

REQ'D. PARKING SPACES: 10 Parking spaces per Classroom
1 Classroom = 1 x 10 = 10 parking spaces
Total required parking spaces = 10

PROP. PARKING SPACES: 15 Parking Spaces

EXIST. PARKING SPACES: 1,792 - Standard Parking spaces (includes handicap)
An Alternative Parking plan was approved in accordance with Section 9 of the UDC to allow reduced parking based on the planned reduction of the student population and the existing shared Stadium parking.

APPROVED IMPERVIOUS COVER: Buildings 603,868 s.f.
Pavement/Sidewalk 1,270,821 s.f.
Total 1,874,689 s.f. (43.04 ac.)
Total I.C. % = (43.04 ac. / 94.67 ac.) x 100 = 45.5%

CURRENT IMPERVIOUS COVER: Buildings 612,595 s.f.
Pavement/Sidewalk 1,230,735 s.f.
Total 1,843,330 s.f. (42.3 ac.)
Total I.C. % = (42.16 ac. / 94.67 ac.) x 100 = 44.5%
The Impervious cover amount excludes the planned senior parking lot that was approved with the 2011 Site Plan and never constructed.

PROP. IMPERVIOUS COVER: Buildings 614,458 s.f.
Pavement/Sidewalk 1,257,478 s.f.
Total 1,871,936 s.f. (42.97 ac.)
Total I.C. % = (42.97 ac. / 94.67 ac.) x 100 = 45.4%

PROP. UTILITY DATA: Fire Flow - 1500 gpm
Domestic Water - City of Georgetown, Existing
Wastewater - City of Georgetown, Existing
Electric - City of Georgetown and PEC, Existing

FENCING: See Sheet C12 Fencing, Striping, Signage, and Paving Plan

SITE LIGHTING: All site lighting will be in conformance with Section 7.05 of the current City of Georgetown Development Code.

BENCHMARK: See control monumentation on "Existing Condition" sheet

DRAINAGE: Detention and water quality for this site has been provided for in the existing detention pond on the south side of Stadium Drive

TREE SURVEY: There are no protected trees within the limits of site development



Location Map
1" = 800'

Sheet Number	Sheet Title
C1.00	COVER SHEET
C2.00	PLAT
C3.00	GENERAL NOTES
C4.00	OVERALL AREA
C5.00	EXISTING CONDITIONS
C6.00	E&S PLAN
C7.00	E&S DETAILS
C8.00	DEMOLITION PLAN
C9.00	SITE PLAN
C10.00	GRADING PLAN
C11.00	UTILITY & STORMSEWER PLAN
C12.00	WASTEWATER PROFILE
C13.00	FENCING, STRIPING, SIGNAGE & PAVING PLAN
C14.00	DETAILS
C15.00	DETAILS (CONT)
C16.00	WATER DETAILS
C17.00	WASTEWATER DETAILS
C18.00	UNDERGROUND FIRE LINE PLAN & DETAILS
C19.00	ANIMAL YARD STORM SEWER PLAN
LA0.00	LANDSCAPE NOTES & SCHEDULE
LA1.00	LANDSCAPE PLAN
LA5.01	LANDSCAPE DETAILS
SD1.1	FLOOR PLAN AND ELEVATIONS
AS2.01	DUMPSTER ENCLOSURE PLANS & ELEVATIONS
D.1	LIGHTING PHOTOMETRICS
D.2	LIGHTING CUT SHEETS
E.1	ELECTRICAL SITE PLAN - DEMOLITION
E.2	ELECTRICAL SITE PLAN
E.3	ELECTRICAL RISER AND LOADS
UE.1	UTILITY SITE PLAN - DEMOLITION
UE.2	UTILITY PLAN - ELECTRICAL

SHEET REVISIONS

SHEET REVISIONS

SHEET REVISIONS

- SITE PLAN NOTES:**
- It is the responsibility of the property owner, and successors to the current property owner, to ensure the subject property and any improvements are maintained in conformance with this Site Development Plan.
 - This development shall comply with all standards of the Unified Development Code (UDC), the City of Georgetown Construction Standards and Specifications Manual, and the Development Manual.
 - This Site Plan shall meet the UDC Stormwater requirements.
 - All signage requires a separate application and approval from the Inspection Services Department. No signage is approved with the Site Plan.
 - Sidewalks shall be provided in accordance with with UDC.
 - Driveways will require approval by the Development Engineer of the City of Georgetown.
 - Outdoor lighting shall comply with Section 7.04 of the UDC.
 - Screening of mechanical equipment, dumpsters and parking shall comply with Chapter 8 of the UDC. The screening is shown on the Landscape and Architectural Plans, as applicable.
 - The companion Landscape Plan has been designed and plant materials shall be installed to meet all requirements of the UDC.
 - All maintenance of required landscape shall comply with the maintenance standards of Chapter 8 of the UDC.
 - A separate Irrigation Plan shall be required at the time of building permit application.
 - Fire flow requirements of 1,500 gallons per minute are being met by this plan.
 - Any Heritage Tree as noted on this Site Plan is subject, in perpetuity, to the maintenance, care, pruning and removal requirements of the Unified Development Code.
 - The construction portion of these plans were prepared, sealed, signed and dated by a Texas Licenses Professional Engineer. Therefore, based on the engineer's concurrence of compliance, the construction plans for construction of the proposed project are hereby approved subject to the Standard Construction Specifications and Details Manual and all other applicable City, State, and Federal Requirements and Codes.
 - This project is subject to all City Standard Specifications and Details in effect at the time of submittal of the project to the City.
 - For all non-residential and multi-family development where no existing overhead infrastructure exists, underground electric utility lines shall be required along the street and within the site. Where existing overhead lines are to be relocated, they shall be re-installed underground and the existing facilities shall be removed at the discretion of the development engineer.
 - All electric and communication infrastructure must follow all portions of UDC 13.06.
 - Where no existing overhead infrastructure exists, underground electric utility lines shall be located along the street and within the site. Where existing overhead infrastructure is to be relocated, it shall be re-installed underground and the existing facilities shall be removed at the discretion of the Development Engineer.
 - The property subject to this application is subject to the Water Quality Regulations of the City of Georgetown. (for properties located over the Edwards Aquifer Recharge Zone)
 - A Geologic Assessment, in accordance with the City of Georgetown Water Quality Regulations, was completed on November 22, 2022. Any springs and streams as identified in the Geologic Assessment are shown herein.
 - An Administrative Exception for Alternative Building Design for Articulation and Architectural Standards per UDC Section 7.03.050 has been approved. The approved Administrative Exception is 2023-14-AE and is dated July 17, 2023.

NOTE:
CONTRACTOR SHALL UNCOVER AND VERIFY LOCATIONS, BOTH HORIZONTALLY AND VERTICALLY, OF ALL EXISTING UTILITIES ALONG THE PROPOSED ROUTE. IF A CONFLICT EXISTS BETWEEN THE PROPOSED PROJECT AND ANY EXISTING UTILITY, THE CONTRACTOR SHALL NOTIFY THE ENGINEER IMMEDIATELY SO THAT THE CONFLICT CAN BE RESOLVED.

NOTE TO CONTRACTOR:
CONTRACTOR IS TO FURNISH A SET OF CONSTRUCTION PLANS BACK TO THE ENGINEER AT THE END OF THE PROJECT WITH ALL DEVIATIONS NOTED IN RED INK ON THE PLAN SHEETS. CONTRACTOR SHALL NOT RECEIVE FINAL PAYMENT UNTIL COMPLETE "AS-BUILT" SET IS RETURNED TO ENGINEER.

2"x3" SPACE RESERVED FOR CITY APPROVAL STAMP

Warning!
There are existing water pipelines, underground telephone cables and other above and below ground utilities in the vicinity of this project. The Contractor shall contact all appropriate companies prior to any construction in the area and determine if any conflicts exist. If so, the Contractor shall immediately contact the Engineer who shall revise the design as necessary.

Project:
GEORGETOWN HIGH SCHOOL AG FACILITIES
FOR
GEORGETOWN I.S.D.
2299 N. AUSTIN AVE GEORGETOWN, TEXAS 78626

STEGER BIZZELL
1978 S. AUSTIN AVENUE
GEORGETOWN, TX 78626
512-930-9412 VOICE
512-930-9416 FAX
WWW.STEGERBIZZELL.COM
TX REG. ENG. FIRM - F181

Professional Engineer Seal for Bryan Eric Moore, License No. 98920, State of Texas, expires 03/21/2024.

STEGER BIZZELL JOB # 22888

Huckabee
AUSTIN • DALLAS • FORT WORTH • HOUSTON • WACO
www.huckabee-inc.com
800.687.0229

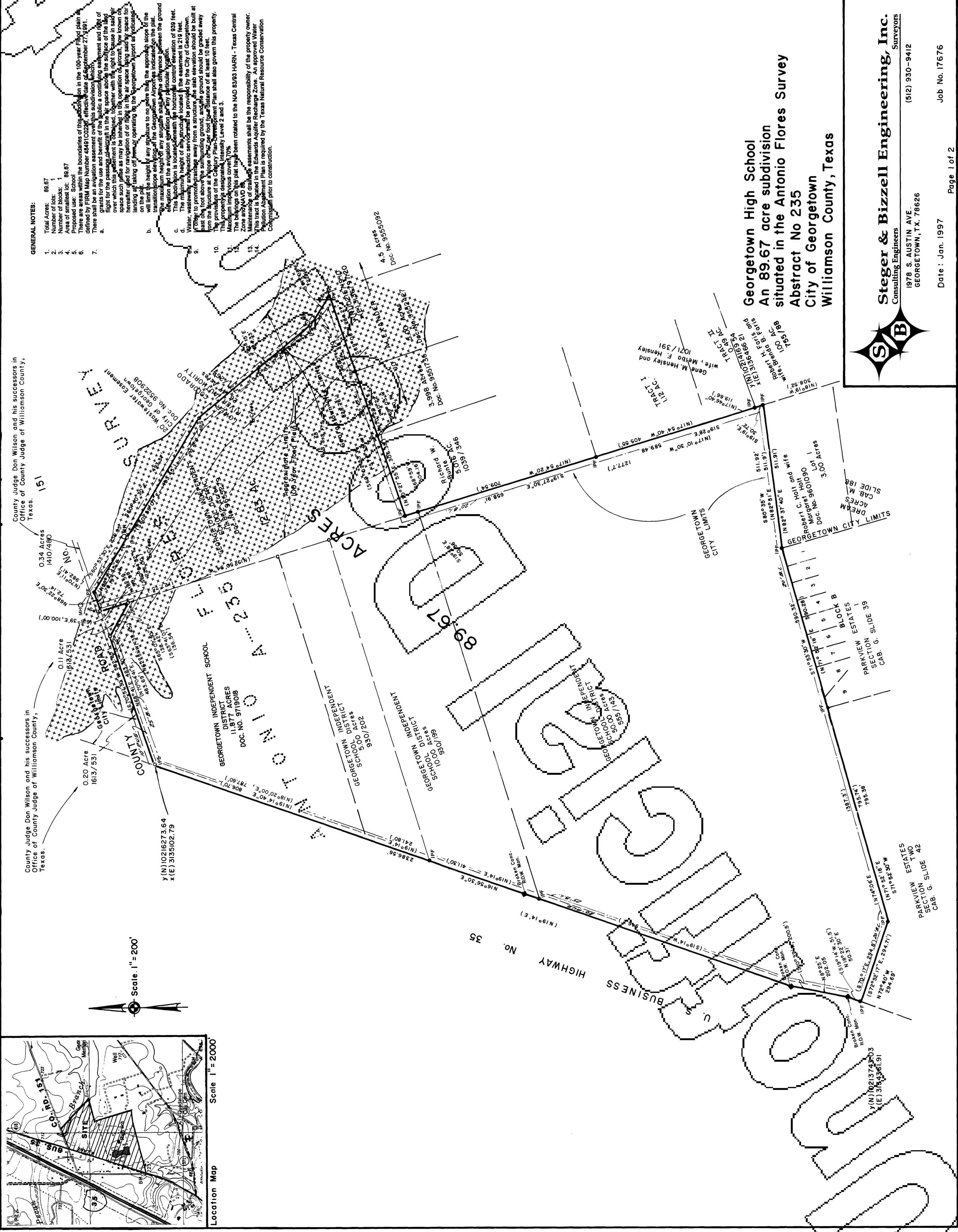
COVER SHEET

SDP SET	VOLUME 1
Job No. 1788-12-01	Sheet No. C1.00
Drawn By: ARB, JMC	
Date: 10.13.2023	

2024-SDP

Date
Revision /

Cabinet U Slide 128 Dec. # 2001022934

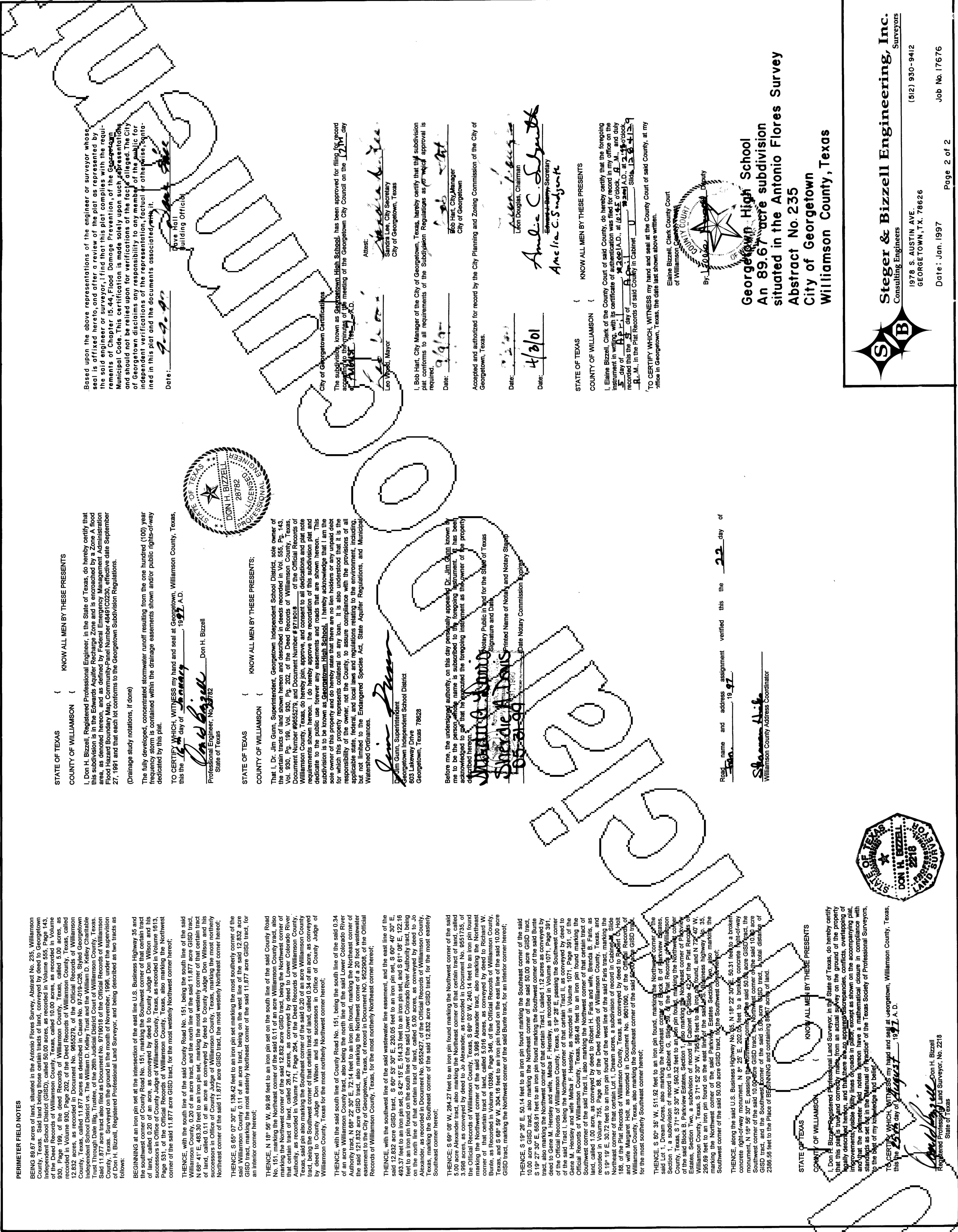


Georgetown High School
An 89.67 acre subdivision
situated in the Antonio Flores Survey
Abstract No. 235
City of Georgetown
Williamson County, Texas

Steger & Bizzell Engineering, Inc.
Consulting Engineers
1978 S. AUSTIN AVE.
GEORGETOWN, TX. 78626
(812) 930-9412

Date: Jan. 1997 Page: 1 of 2 Job No. 17676

Cabinet U Slide 129



Steger & Bizzell Engineering, Inc.
Consulting Engineers
1978 S. AUSTIN AVE.
GEORGETOWN, TX. 78626
(812) 930-9412

Date: Jan. 1997 Page: 2 of 2 Job No. 17676

Project: GEORGETOWN HIGH SCHOOL AG FACILITIES FOR GEORGETOWN I.S.D. 2299 N. AUSTIN AVE GEORGETOWN, TEXAS 78626

STEGER & BIZZELL
1978 S. AUSTIN AVENUE
GEORGETOWN, TX 78626
512.930.9412 VOICE
512.930.9416 FAX
WWW.STEGERBIZZELL.COM
TX REG. ENG. FIRM - F181

Huckabee
AUSTIN • DALLAS • FORT WORTH • HOUSTON • WACO
www.huckabee-inc.com
800.867.0228

PLAT
SDP SET VOLUME 1
Job No. 1788-12-01 Sheet No. C2.00
Drawn By: ARB, JMC
Date: 10.13.2023
2024-SDP

TEXAS COMMISSION ON ENVIRONMENTAL QUALITY
WATER DISTRIBUTION SYSTEM
GENERAL CONSTRUCTION NOTES

- 1. This water distribution system must be constructed in accordance with the current Texas Commission on Environmental Quality (TCEQ) Rules and Regulations for Public Water Systems 30 Texas Administrative Code (TAC) Chapter 290 Subchapter D. When conflicts are noted with local standards, the more stringent requirement shall be applied. Construction for public water systems must always, at a minimum, meet TCEQ's "Rules and Regulations for Public Water Systems."
2. An appointed engineer shall notify in writing the local TCEQ's Regional Office when construction will start. Please keep in mind that upon completion of the water works project, the engineer or owner shall notify the commission's Water Supply Division, in writing, as to its completion and attest to the fact that the work has been completed essentially according to the plans and change orders on file with the commission as required in 30 TAC §290.39(b)(3).
3. All newly installed pipes and related products must conform to American National Standards Institute/National Sanitation Foundation (ANSI/NSF) Standard 61-6 and must be certified by an organization accredited by ANSI, as required by 30 TAC §290.44(f)(1).
4. Plastic pipe for use in public water systems must bear the National Sanitation Foundation Seal of Approval (NSF PW-C) and have an ASTM design pressure rating of at least 150 psi or a standard dimension ratio of 26 or less, as required by 30 TAC §290.44(a)(2).
5. No pipe which has been used for any purpose other than the conveyance of drinking water shall be accepted or relocated for use in any public drinking water supply, as required by 30 TAC §290.44(a)(3).
6. Water transmission and distribution lines shall be installed in accordance with the manufacturer's instructions. However, the top of the water line must be located below the frost line and in no case shall the top of the water line be less than 24 inches below ground surface, as required by 30 TAC §290.44(a)(4).
7. Pursuant to 30 TAC §290.44(a)(5), the hydrostatic leakage rate shall not exceed the amount allowed or recommended by the most current AWWA formulas for PVC pipe, cast iron and ductile iron pipe. Include the formulas in the notes on the plans.
o The hydrostatic leakage rate for polyvinyl chloride (PVC) pipe and appurtenances shall not exceed the amount allowed or recommended by formulas in America Water Works Association (AWWA) C-605 as required in 30 TAC §290.44(a)(5). Please ensure that the formula for this calculation is correct and most current formula is in use;

Q = (LD^3 * P) / 148,000

Where:

- Q = the quantity of makeup water in gallons per hour,
L = the length of the pipe section being tested, in feet,
D = the nominal diameter of the pipe in inches, and
P = the average test pressure during the hydrostatic test in pounds per square inch (psi).

January 10, 2014 1

- o The hydrostatic leakage rate for ductile iron (DI) pipe and appurtenances shall not exceed the amount allowed or recommended by formulas in America Water Works Association (AWWA) C-600 as required in 30 TAC §290.44(a)(5). Please ensure that the formula for this calculation is correct and most current formula is in use;

L = (SD * P) / 148,000

Where:

- L = the quantity of makeup water in gallons per hour,
S = the length of the pipe section being tested, in feet,
D = the nominal diameter of the pipe in inches, and
P = the average test pressure during the hydrostatic test in pounds per square inch (psi).

- 8. Projects constructed on or after January 4, 2014 must comply with changes to the Safe Drinking Water Act that reduce the maximum allowable lead content of pipes, pipe fittings, plumbing fittings, and fixtures to 0.25 percent.
9. The system must be designed to maintain a minimum pressure of 35 psi at all points within the distribution network at flow rates of at least 1.5 gallons per minute per connection. When the system is intended to provide fire-fighting capability, it must also be designed to maintain a minimum pressure of 20 psi under combined fire and drinking water flow conditions as required by 30 TAC §290.44(d).
10. The contractor shall install appropriate air release devices in the distribution system at all points where topography or other factors may create air locks in the lines. All vent openings to the atmosphere shall be covered with 16-mesh or finer, corrosion resistant screening material or an acceptable equivalent as required by 30 TAC §290.44(f)(3).
11. Pursuant to 30 TAC §290.44(d)(4), accurate water meters shall be provided. Service connections and meter locations should be shown on the plans.
12. Pursuant to 30 TAC §290.44(d)(5), sufficient valves and blowoffs to make repairs. The engineering report shall establish criteria for this design.
13. Pursuant to 30 TAC §290.44(d)(6), the system shall be designed to afford effective circulation of water with a minimum of dead ends. All dead-end mains shall be provided with acceptable flush valves and discharge piping. All dead-end lines less than two inches in diameter will not require flush valves if they end at a customer service. Where dead ends are necessary as a stage in the growth of the system, they shall be located and arranged to ultimately connect the ends to provide circulation.
14. The contractor shall maintain a minimum separation distance in all directions of nine feet between the proposed waterline and wastewater collection facilities including manholes and septic tank drainfields. If this distance cannot be maintained, the contractor must immediately notify the project engineer for further direction. Separation distances, installation methods, and materials utilized must meet 30 TAC §290.44(e)(1-4) of the current rules.

Revised: January 10, 2014

2

- 15. Pursuant to 30 TAC §290.44(e)(5), the separation distance from a potable waterline to a wastewater main or lateral manhole or cleanout shall be a minimum of nine feet. Where the nine-foot separation distance cannot be achieved, the potable waterline shall be encased in a joint of at least 150 psi pressure class pipe at least 18 feet long and two nominal sizes larger than the new conveyance. The space around the carrier pipe shall be supported at five-foot intervals with spacers or be filled to the springline with washed sand. The encasement pipe shall be centered on the crossing and both ends sealed with cement grout or manufactured sealant.
16. Pursuant to 30 TAC §290.44(e)(6), fire hydrants shall not be installed within nine feet vertically or horizontally of any wastewater line, wastewater lateral, or wastewater service line regardless of construction.
17. Pursuant to 30 TAC §290.44(e)(7), suction mains to pumping equipment shall not cross wastewater mains, wastewater laterals, or wastewater service lines. Raw water supply lines shall not be installed within five feet of any tile or concrete wastewater main, wastewater lateral, or wastewater service line.
18. Pursuant to 30 TAC §290.44(e)(8), waterlines shall not be installed closer than ten feet to septic tank drainfields.
19. Pursuant to 30 TAC §290.44(f)(1), the contractor shall not place the pipe in water or where it can be flooded with water or sewage during its storage or installation.
20. Pursuant to 30 TAC §290.44(f)(2), when waterlines are laid under any flowing or intermittent stream or semi-permanent body of water the water main shall be installed in a separate watertight pipe encasement. Valves must be provided on each side of the crossing with facilities to allow the underwater portion of the system to be isolated and tested.
21. The contractor shall disinfect the new water mains in accordance with AWWA Standard C-651 and then flush and sample the lines before being placed into service. Samples shall be collected for microbiological analysis to check the effectiveness of the disinfection procedure which shall be repeated if contamination persists. A minimum of one sample for each 1,000 feet of completed water line will be required or at the next available sampling point beyond 1,000 feet as designated by the design engineer, in accordance with 30 TAC §290.44(f)(3).

Revised: January 10, 2014

3

CITY OF GEORGETOWN GENERAL NOTES

- 1. These construction plans were prepared, sealed, signed and dated by a Texas Licensed Professional Engineer. Therefore based on the engineer's concurrence of compliance, the construction plans for construction of the proposed project are hereby approved subject to the standard Construction Specifications and Details Manual and all other applicable City, State and Federal Requirements and Codes.
2. This project is subject to all City Standard Specifications and Details in effect at the time of submittal of the project to the City.
3. The site construction plans shall meet all requirements of the approved site plan.
4. Wastewater mains and service lines shall be SDR 26 PVC.
5. Wastewater mains shall be installed without horizontal or vertical bends.
6. Maximum distance between wastewater manholes is 500 feet.
7. Wastewater mains shall be low pressure air tested and mandrel tested by the contractor according to the City of Georgetown and TCEQ requirements.
8. Wastewater manholes shall be vacuum tested and coated by the contractor according to City of Georgetown and TCEQ requirements.
9. Wastewater mains shall be camera tested by the contractor and submitted to the City on DVD format prior to paving the streets.
10. Private water system fire lines shall be tested by the contractor to 200 psi for 2 hours.
11. Private water system fire lines shall be ductile iron piping from the water main to the building sprinkler system, and 200 psi C900 PVC for all others.
12. Public water system mains shall be 150 psi C800 PVC and tested by the contractor at 150 psi for 4 hours.
13. After satisfactorily completing the leakage test, each valved section over the entire project, shall be tested at 200 psi for a sufficient period (approximately 10 min) to discover all leaking or defective materials and/or workmanship.
14. All bends and changes in direction on water mains shall be restrained and thrust blocked.
15. Long fire hydrant leads shall be restrained.
16. All water lines are to be bacteria tested by the contractor according to the City standards and specifications.
17. Water and Sewer main crossings shall meet all requirements of the TCEQ and the City.
18. Flexible base material for public streets shall be TxDOT Type A Grade 1.
19. Hot mix asphaltic concrete pavement shall be Type D unless otherwise specified and shall be a minimum of 2 inches thick on public streets and roadways.
20. All sidewalks ramps are to be installed with the public infrastructure.
21. A maintenance bond is required to be submitted to the City prior to acceptance of the public improvements. This bond shall be established for 2 years in the amount of 10% of the cost of the public improvements and shall follow the City format.
22. Record drawings of the public improvements shall be submitted to the City by the design engineer prior to acceptance of the project. These drawings shall be on mylar or on TIFF or PDF disk (300 dpi). If a disk is submitted, a bond set shall be included with the disk.

Texas Commission on Environmental Quality
Water Pollution Abatement Plan
General Construction Notes

Edwards Aquifer Protection Program Construction Notes - Legal Disclaimer

The following/related "construction notes" are intended to be advisory in nature only and do not constitute an approval or conditional approval by the Executive Director (ED), nor do they constitute a comprehensive listing of rules or conditions to be followed during construction. Further advice may be required to achieve compliance with TCEQ regulations based on Title 30, Texas Administrative Code (TAC), Chapters 213 and 217, as well as local ordinances and regulations providing for the protection of water quality. Additionally, nothing contained in the following/related "construction notes" restricts the powers of the ED, the commission or any other governmental entity to prevent, correct, or control activities that result or may result in pollution of the Edwards Aquifer or hydrologically connected surface waters. The issue of any Edwards Aquifer Protection Plan containing "construction notes" is still responsible for compliance with Title 30, TAC, Chapters 213 or any other applicable TCEQ regulation, as well as all conditions of an Edwards Aquifer Protection Plan through all phases of plan implementation. Failure to comply with any condition of the EDS approval, whether or not in construction of any "construction notes," is a violation of TCEQ regulations and any violation is subject to administrative rules, orders, and penalties as provided under Title 30, TAC § 213.10 (relating to Enforcement). Such violations may also be subject to civil penalties and injunction. The following/related "construction notes" do not represent an approved exception by the ED to any part of Title 30 TAC, Chapters 213 and 217, or any other TCEQ applicable regulation.

- 1. A written notice of construction must be submitted to the TCEQ regional office at least 48 hours prior to the start of any regulated activities. This notice must include:
- the name of the approved project,
- the activity start date; and
- the contact information of the prime contractor.
2. All contractors conducting regulated activities associated with this project must be provided with complete copies of the approved Water Pollution Abatement Plan (WPAP) and the TCEQ letter indicating the specific conditions of its approval. During the course of these regulated activities, the contractors are required to keep on-site copies of the approved plan and approval letter.
3. If any sensitive feature(s) (caves, solution cavity, sink hole, etc.) is discovered during construction, all regulated activities near the sensitive feature must be suspended immediately. The appropriate TCEQ regional office must be immediately notified of any sensitive features encountered during construction. Construction activities may not be resumed until the TCEQ has reviewed and approved the appropriate protective measures in order to protect any sensitive feature and the Edwards Aquifer from potentially adverse impacts to water quality.
4. No temporary or permanent hazardous substance storage tank shall be installed within 150 feet of a water supply source, distribution system, well, or sensitive feature.
5. Prior to beginning any construction activity, all temporary erosion and sedimentation (E&S) control measures must be properly installed and maintained in accordance with the approved plans and manufacturers specifications. If inspectors indicate a control has been used inappropriately, or incorrectly, the applicant must replace or modify the control for site situations. These controls must remain in place until the disturbed areas have been permanently stabilized.
6. Any sediment that escapes the construction site must be collected and properly disposed of before the next rain event to ensure it is not washed into surface streams, sensitive features, etc.
7. Sediment must be removed from the sediment traps or sedimentation basins not later than TCEQ-0892 (Rev. July 15, 2015) Page 1 of 2

- when it occupies 50% of the basin's design capacity.
8. Litter, construction debris, and construction chemicals exposed to stormwater shall be prevented from being discharged offsite.
9. All spoils (excavated material) generated from the project site must be stored on-site with proper E&S controls. For storage or disposal of spoils at another site on the Edwards Aquifer Recharge Zone, the owner of the site must receive approval of a water pollution abatement plan for the placement of fill material or mass grading prior to the placement of spoils at the other site.
10. If portions of the site will have a temporary or permanent cease in construction activity lasting longer than 14 days, soil stabilization in those areas shall be initiated as soon as possible prior to the 14th day of inactivity. If activity will resume prior to the 21st day, stabilization measures are not required. If drought conditions or inclement weather prevent action by the 14th day, stabilization measures shall be initiated as soon as possible.
11. The following records shall be maintained and made available to the TCEQ upon request:
- the dates when major grading activities occur;
- the dates when construction activities temporary or permanently cease on a portion of the site; and
- the dates when stabilization measures are initiated.
12. The holder of any approved Edwards Aquifer protection plan must notify the appropriate regional office in writing and obtain approval from the executive director prior to initiating any of the following:
A. any physical or operational modification of any water pollution abatement structure(s), including but not limited to ponds, dams, berms, sewage treatment plants, and diversionary structures;
B. any change in the nature or character of the regulated activity from that which was originally approved or a change which would significantly impact the ability of the plan to prevent pollution of the Edwards Aquifer;
C. any development of land previously identified as undeveloped in the original water pollution abatement plan.

These GENERAL CONSTRUCTION NOTES MUST BE INCLUDED ON THE CONSTRUCTION PLANS PROVIDED TO THE CONTRACTOR AND ALL SUBCONTRACTORS.

TCEQ-0892 (Rev. July 15, 2015)

Page 2 of 2

Table with 2 columns: Austin Regional Office (12100 Park 35 Circle, Building A, Austin, Texas 78733-1908, Phone (512) 339-2929, Fax (512) 339-3795) and San Antonio Regional Office (14250 Judson Road, San Antonio, Texas 78233-4480, Phone (210) 490-3096, Fax (210) 545-4229)

GENERAL CONSTRUCTION NOTES

- 1. Prior to beginning construction, the Owner or his authorized representative, shall convene a Pre-Construction Conference between the City of Georgetown, Engineer, and Contractor, and any other affected parties. Notify all such parties at least 48 hours prior to the time of the conference and 48 hours prior to beginning construction.
2. Any existing utilities, pavement, curbs, and/or sidewalks damaged or removed shall be repaired by the Contractor at his expense beyond acceptance of the project.
3. The location of any existing water, wastewater lines or other utilities shall be verified by the City of Georgetown & other utility providers prior to construction.
4. Manhole frames, covers, water valve covers, etc., shall be raised to finished pavement grade at the Contractor's expense by a qualified contractor with City inspection. All utility adjustments shall be completed prior to final paving construction.
5. Steger Bizzell has endeavored to design these plans compliant with ADA/ATLDR and other accessibility requirements. However, the contractor shall not be relieved of any responsibility for constructing these improvements compliant with all applicable accessibility standards. If the contractor notices any discrepancies between these plans and accessibility laws/rules, he is to stop work in the area of conflict and notify Steger Bizzell immediately for a resolution and/or revision to these plans. Steger Bizzell shall not be held responsible for constructing this site compliant with accessibility laws/rules regardless of what is shown in these plans.
6. The Contractor is responsible for providing and complying with a SWPPP.

SEQUENCE OF CONSTRUCTION

Note: Other contractors could be working on this site. Coordinate all activities with the activities of others.

The following sequence of activities is suggested. The sequence of construction will take place in one phase. The actual sequence may vary, as permitted by the engineer, depending on the contractor or weather conditions.

- 1. Construction activities will commence with the installation of the required erosion and sedimentation control. The project will be constructed in one phase.
2. Excavation will take place where the proposed building, parking areas, and utilities will be situated. Spoils of this material may be placed at a location on the project site as directed by the contractor and approved by the engineer or hauled off-site. These spoils and any other loose granular material will be enclosed by a silt fence. The total area disturbed by construction is approximately 5 acres.
3. Grading on the site will consist of the placement and compaction of base or select fill material under and/or around the proposed building, driveways and parking areas. Approximately 5 acres will be disturbed.
4. The installation of utilities will disturb a portion of the site. Proposed utility improvements include the construction of a 2" water service, 8" fire line, 6" sewer service, and 18" storm sewer.
5. Subsequent to the construction of the site improvements, disturbed areas will be hydro-mulched or seeded.
6. Once vegetation is established on the site, Temporary BMPs will be removed as allowed by the engineer.

TEMPORARY EROSION CONTROL NOTES

- 1. The Contractor shall install erosion/sedimentation controls and tree protective fencing prior to any site preparation work (clearing, grubbing or excavation).
2. The placement of erosion/sedimentation controls shall be in accordance with the E&S PLAN.
3. Any significant variation in materials or locations of controls or fences from those shown on the approved plans must be approved by the City Engineer.
4. The Contractor is required to inspect all controls and fences at weekly intervals and after significant rainfall events to insure that they are functioning properly. The person(s) responsible for maintenance of controls and fences shall immediately make any necessary repairs to damaged areas. Silt accumulation at controls must be removed when the depth reaches six (6) inches.
5. Prior to final acceptance, haul roads and waterway crossings constructed for temporary Contractor access must be removed, accumulated sediment removed from the waterway, and the areas restored to the original grade and revegetated. All land clearing debris shall be disposed of in approved spoil disposal sites.
6. Field revisions to the E&S PLAN may be required by the Engineer during the course of construction to correct control inadequacies.

Date

Revision/

Project: GEORGETOWN HIGH SCHOOL AG FACILITIES FOR GEORGETOWN I.S.D. 2299 N. AUSTIN AVE GEORGETOWN, TEXAS 78626

STEGER BIZZELL

1978 S. AUSTIN AVENUE
GEORGETOWN, TX 78626
512.830.9416 VOICE
512.830.9416 FAX
WWW.STEGERBIZZELL.COM
TX REG. ENG. FIRM - F181



STEGER BIZZELL JOB # 22888

Huckabee

AUSTIN • DALLAS • FORT WORTH • HOUSTON • WACO
www.huckabee-inc.com
800.687.0229

GENERAL NOTES

Table with 2 columns: SDP SET (Job No. 1788-12-01, Drawn By: ARB, JAC, Date: 10.13.2023) and VOLUME 1 (Sheet No. C3.00)

2024- -SDP



N AUSTIN AVE

PROJECT AREA

Copyright © 2021, Huckabee & Associates, Inc.

Revision	Date

Project: GEORGETOWN HIGH SCHOOL AG FACILITIES
 FOR
 GEORGETOWN I.S.D.
 2299 N. AUSTIN AVE GEORGETOWN, TEXAS 78626

STEGER BIZZELL

1978 S. AUSTIN AVENUE
 GEORGETOWN, TX 78626
 512.930.9412 VOICE
 512.930.9416 FAX
 WWW.STEGERBIZZELL.COM
 TX REG. ENG. FIRM - F181

STEGER BIZZELL JOB # 22888

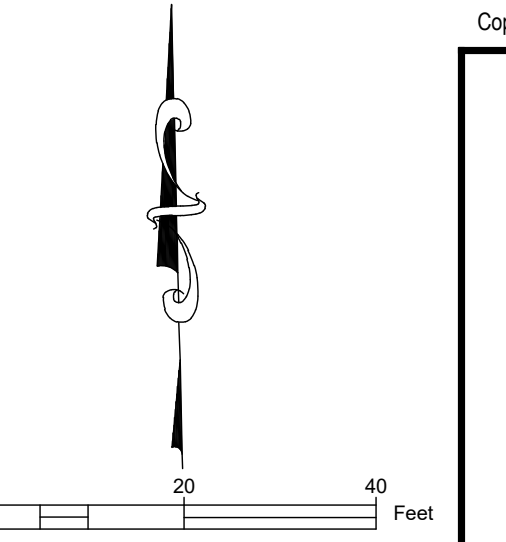
Huckabee

AUSTIN • DALLAS • FORT WORTH • HOUSTON • WACO
 www.huckabee-irc.com
 800.887.0228

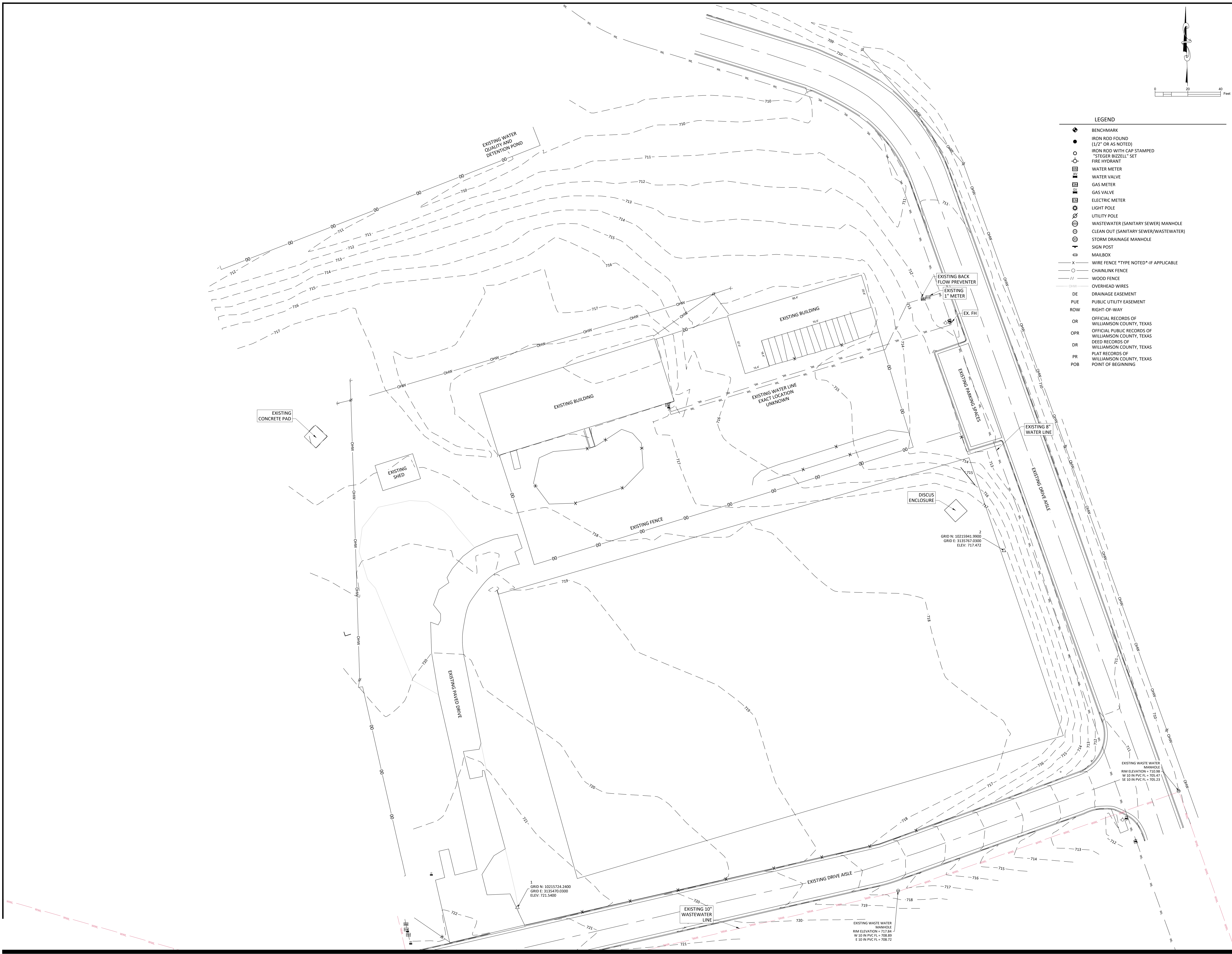
OVERALL AREA

SDP SET	VOLUME 1
Job No. 1788-12-01	Sheet No. C4.00
Drawn By: ARB, JMC	
Date: 10.13.2023	

2024- -SDP



- LEGEND**
- ◆ BENCHMARK
 - IRON ROD FOUND (1/2" OR AS NOTED)
 - IRON ROD WITH CAP STAMPED
 - "STEGER BIZZELL" SET
 - FIRE HYDRANT
 - WATER METER
 - WATER VALVE
 - GAS METER
 - GAS VALVE
 - ELECTRIC METER
 - LIGHT POLE
 - UTILITY POLE
 - WASTEWATER (SANITARY SEWER) MANHOLE
 - CLEAN OUT (SANITARY SEWER/WASTEWATER)
 - STORM DRAINAGE MANHOLE
 - SIGN POST
 - MAILBOX
 - WIRE FENCE *TYPE NOTED*-IF APPLICABLE
 - CHAINLINK FENCE
 - || WOOD FENCE
 - OHW OVERHEAD WIRES
 - DE DRAINAGE EASEMENT
 - PUE PUBLIC UTILITY EASEMENT
 - ROW RIGHT-OF-WAY
 - OR OFFICIAL RECORDS OF WILLIAMSON COUNTY, TEXAS
 - OPR OFFICIAL PUBLIC RECORDS OF WILLIAMSON COUNTY, TEXAS
 - DR DEED RECORDS OF WILLIAMSON COUNTY, TEXAS
 - PR PLAT RECORDS OF WILLIAMSON COUNTY, TEXAS
 - POB POINT OF BEGINNING



Date

Revision/

Project: GEORGETOWN HIGH SCHOOL AG FACILITIES FOR GEORGETOWN I.S.D. 2299 N. AUSTIN AVE GEORGETOWN, TEXAS 78626

STEGER BIZZELL

1978 S. AUSTIN AVENUE
 GEORGETOWN, TX 78626
 512.930.9412 VOICE
 512.930.9416 FAX
 WWW.STEGERBIZZELL.COM
 TX REG. ENG. FIRM - F181



STEGER BIZZELL JOB # 22888

Huckabee

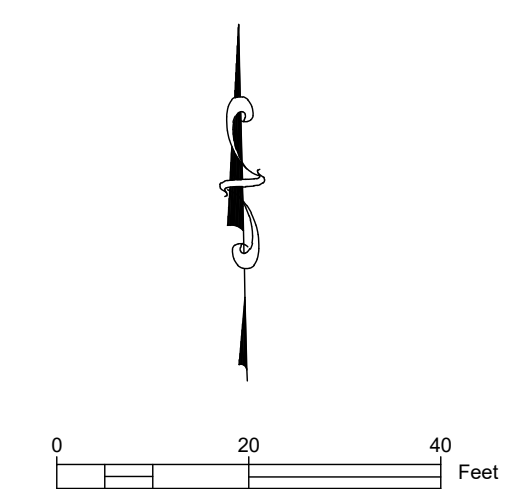
AUSTIN • DALLAS • FORT WORTH • HOUSTON • WACO
 www.huckabee-inc.com
 800.687.1229

EXISTING CONDITIONS

SDP SET VOLUME 1

Job No. 1768-12-01 Sheet No. C5.00
 Drawn By: ARB, JMC
 Date: 10.13.2023

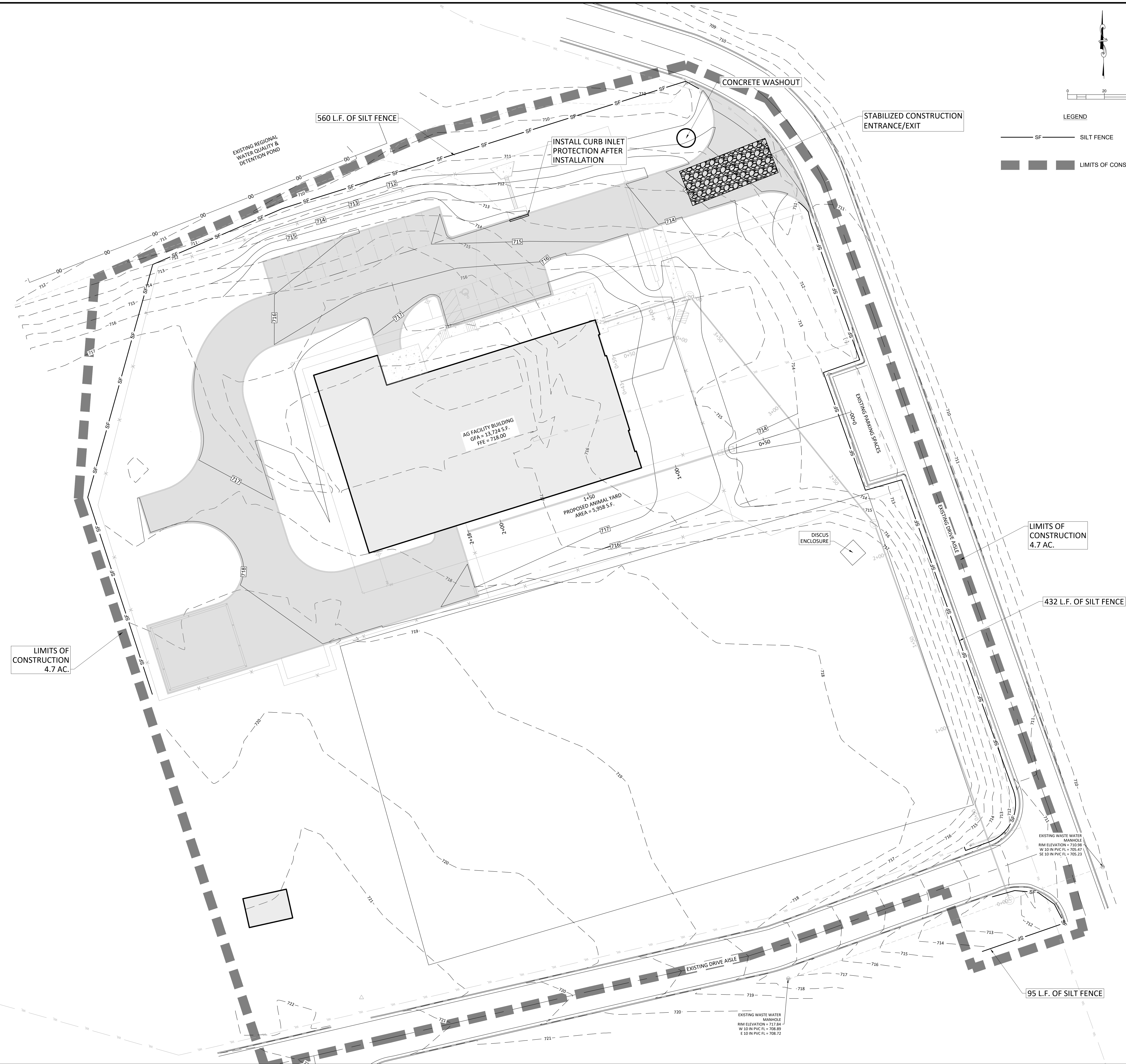
2024-SDP



LEGEND

— SF — SILT FENCE

▬▬▬ LIMITS OF CONSTRUCTION



Date

Revision /

Project: GEORGETOWN HIGH SCHOOL AG FACILITIES
FOR
GEORGETOWN I.S.D.
2299 N. AUSTIN AVE GEORGETOWN, TEXAS 78626

Project: STEGER BIZZELL

1978 S. AUSTIN AVENUE
GEORGETOWN, TX 78626
512.330.9412 VOICE
512.930.9419 FAX
WWW.STEGERBIZZELL.COM
TX REG. ENG. FIRM - F181



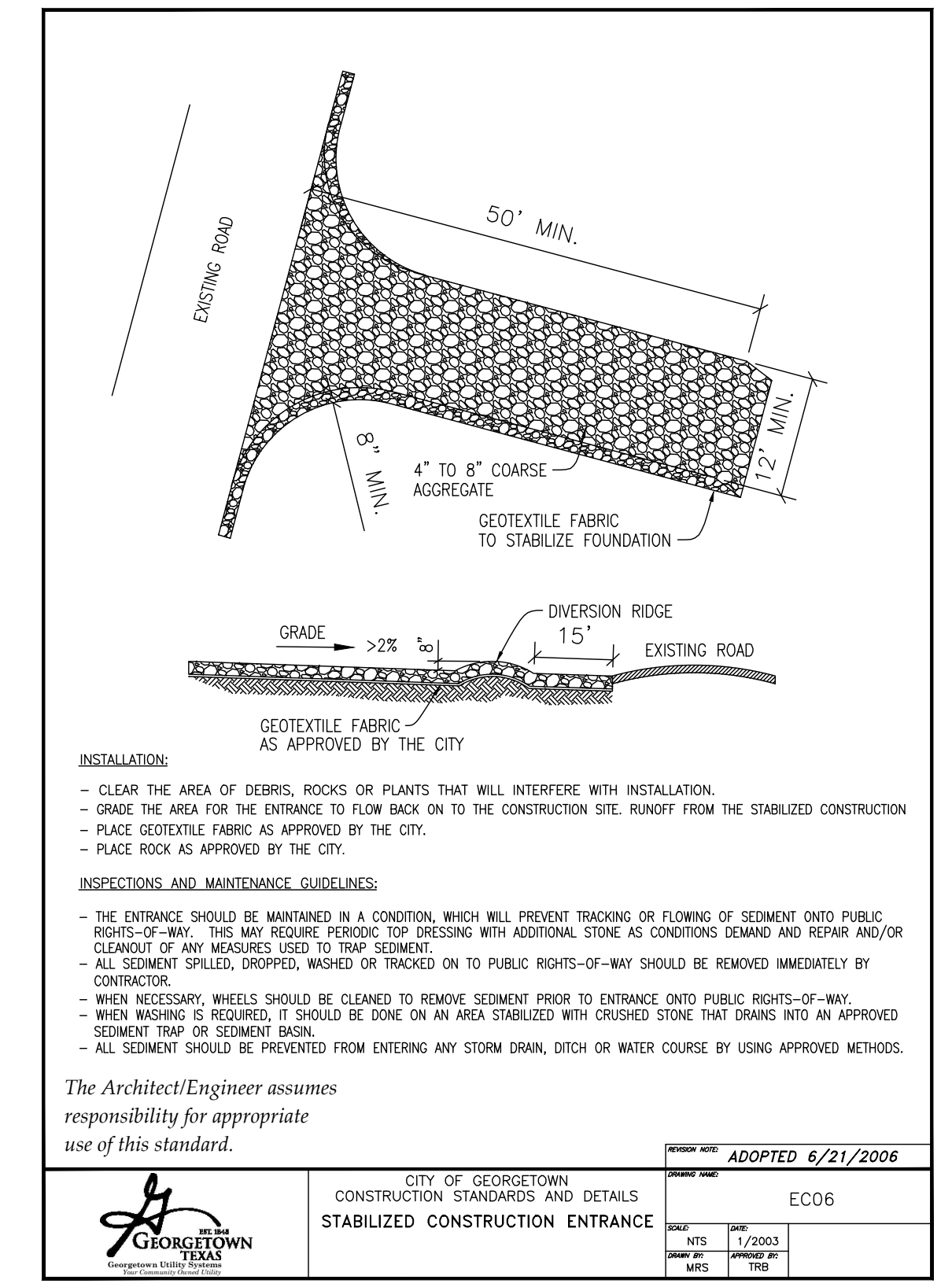
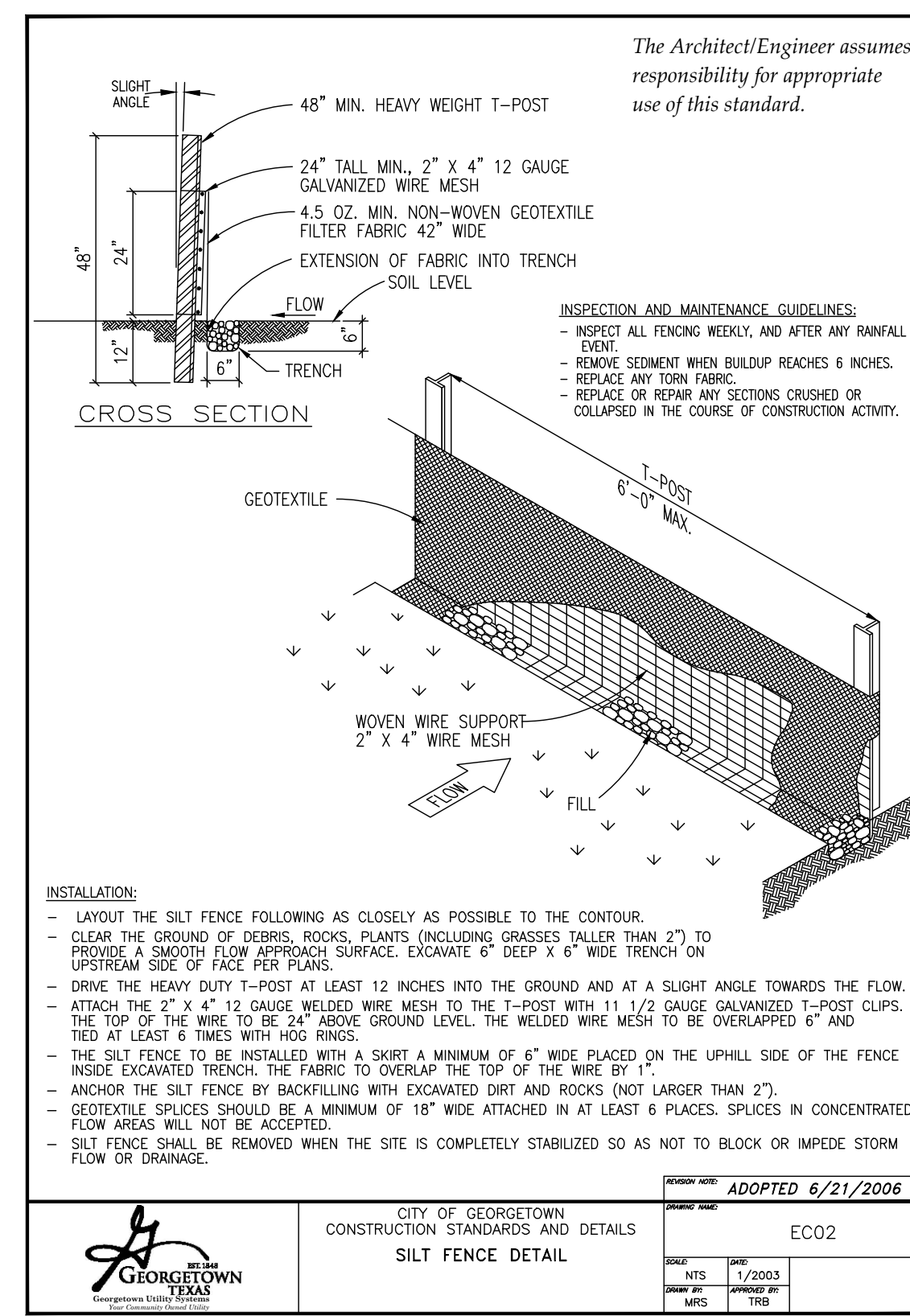
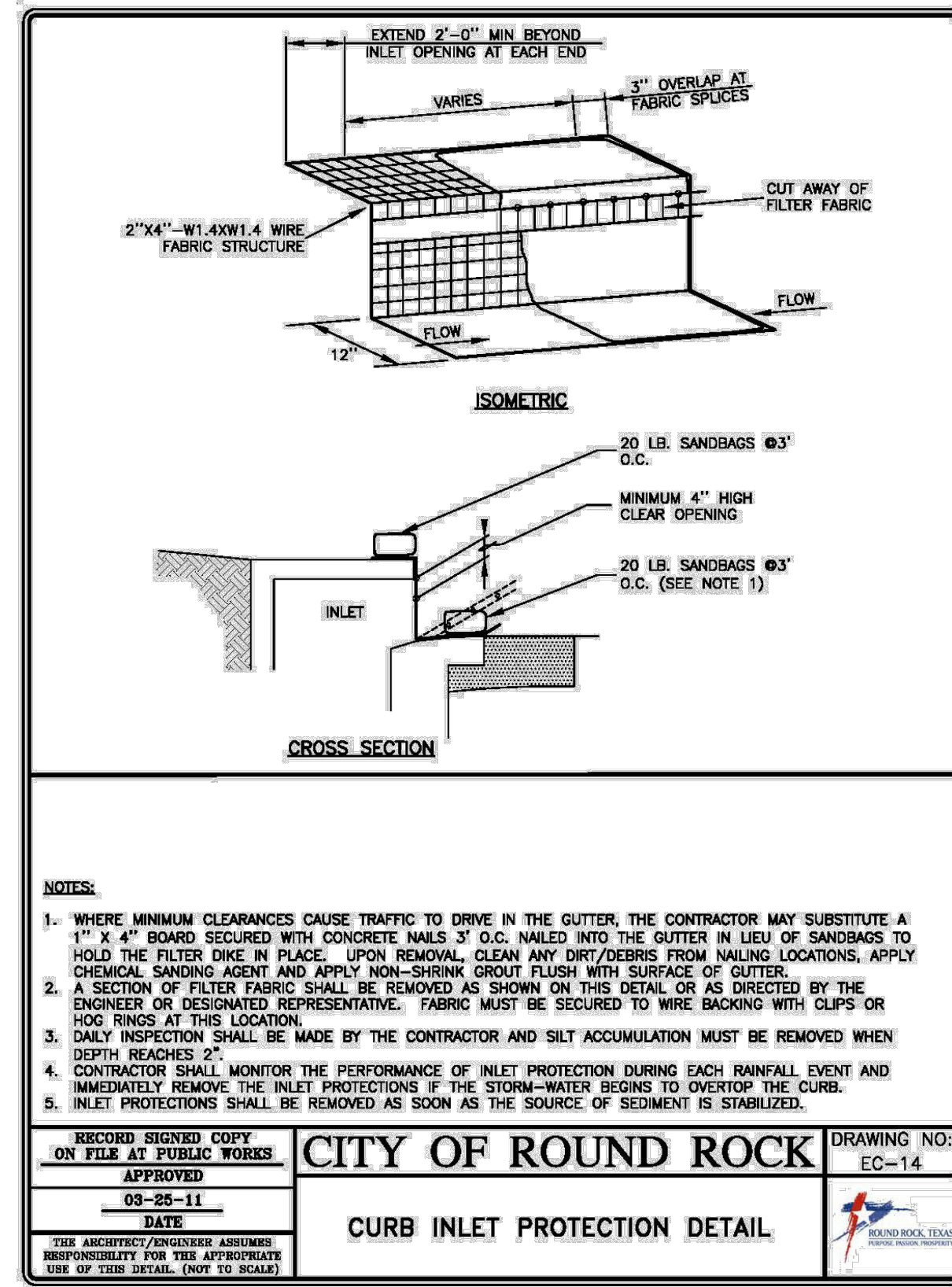
STEGER BIZZELL JOB # 22888

Huckabee
AUSTIN • DALLAS • FORT WORTH • HOUSTON • WACO
www.huckabee-inc.com
800.887.0228

EROSION & SEDIMENTATION CONTROL PLAN
SDP SET VOLUME 1

Job No. 1788-12-01	Sheet No. C6.00
Drawn By: ARB, JMC	
Date: 10.13.2023	

2024- SDP



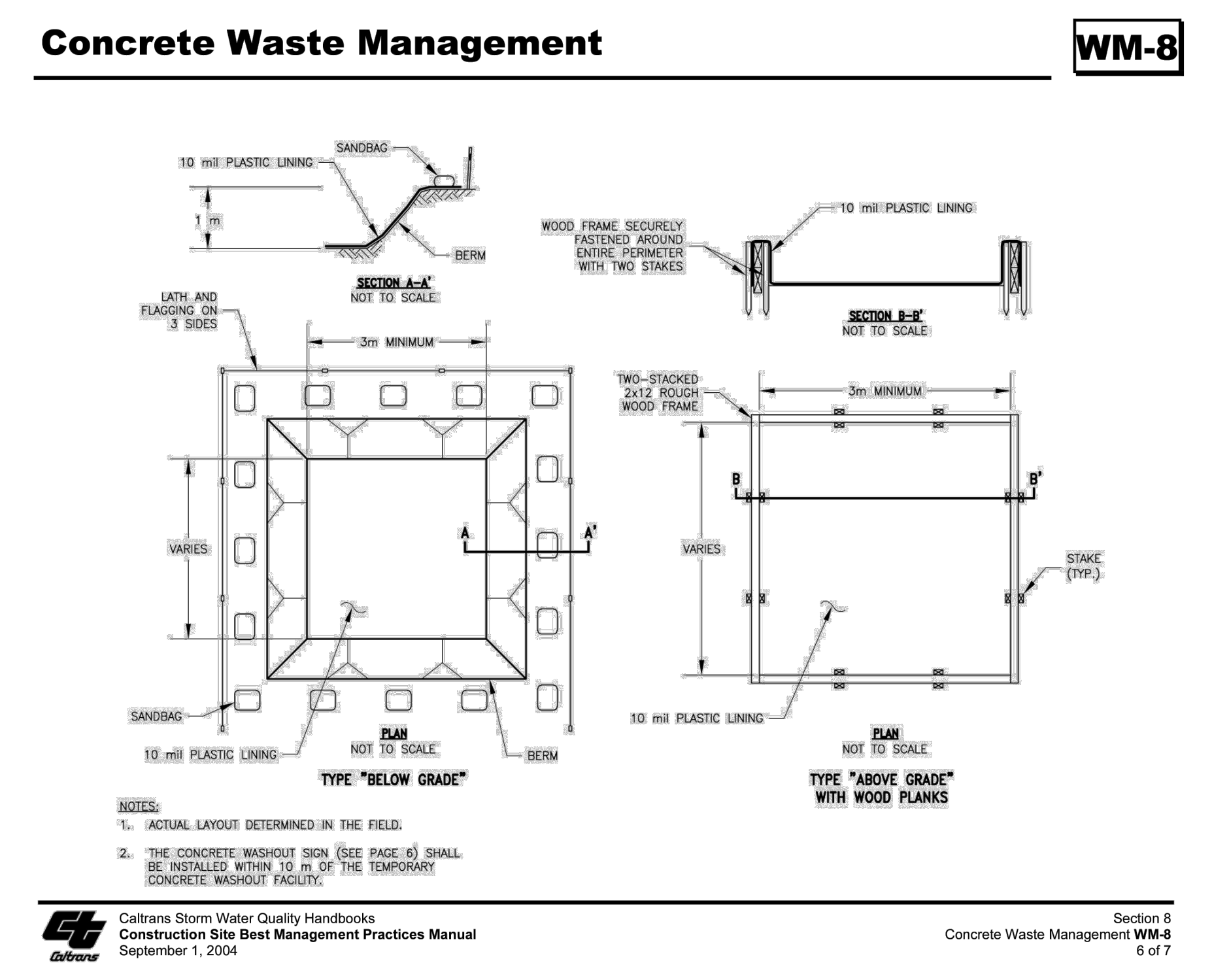
GUIDELINES FOR DESIGN AND INSTALLATION OF TEMPORARY EROSION AND SEDIMENTATION CONTROLS

TYPE OF STRUCTURE	REACH LENGTH	MAXIMUM DRAINAGE AREA	SLOPE
SILT FENCE	N/A	2 ACRES	0 - 10%
	200 FEET	2 ACRES	10 - 20%
	100 FEET	1 ACRE	20 - 30%
TRIANGLE FILTER DIKE	50 FEET	1/2 ACRE	> 30%
	100 FEET	1/2 ACRE	< 30% SLOPE
ROCK BERM **, **	50 FEET	1/4 ACRE	> 30% SLOPE
	500 FEET	< 5 ACRES	0 - 10%

* FOR ROCK BERM DESIGN WHERE PARAMETERS ARE OTHER THAN STATED, DRAINAGE AREA CALCULATIONS AND ROCK BERM DESIGN MUST BE SUBMITTED FOR REVIEW.

** HIGH SERVICE ROCK BERMS MAY BE REQUIRED IN AREAS OF ENVIRONMENTAL SIGNIFICANCE AS DETERMINED BY THE CITY OF GEORGETOWN.

CITY OF GEORGETOWN
CONSTRUCTION STANDARDS AND DETAILS
TEMPORARY EROSION AND SEDIMENTATION CONTROL GUIDELINES



Project: GEORGETOWN HIGH SCHOOL AG FACILITIES FOR GEORGETOWN I.S.D. 2299 N. AUSTIN AVE GEORGETOWN, TEXAS 78626

STEGER BIZZELL

1978 S. AUSTIN AVENUE
GEORGETOWN, TX 78626
512.930.9412 VOICE
512.930.9418 FAX
WWW.STEGERBIZZELL.COM
TX REG. ENG. FIRM - P181

BRYAN ERIC MOORE
98920
LICENSED PROFESSIONAL ENGINEER
03/21/2024

STEGER BIZZELL JOB # 22888

Huckabee

AUSTIN • DALLAS • FORT WORTH • HOUSTON • WACO

www.huckabee-inc.com
800.887.0228

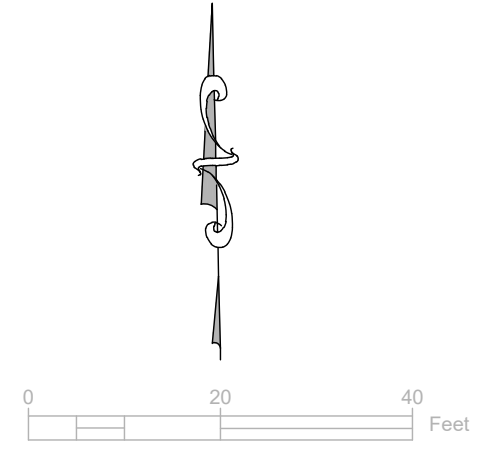
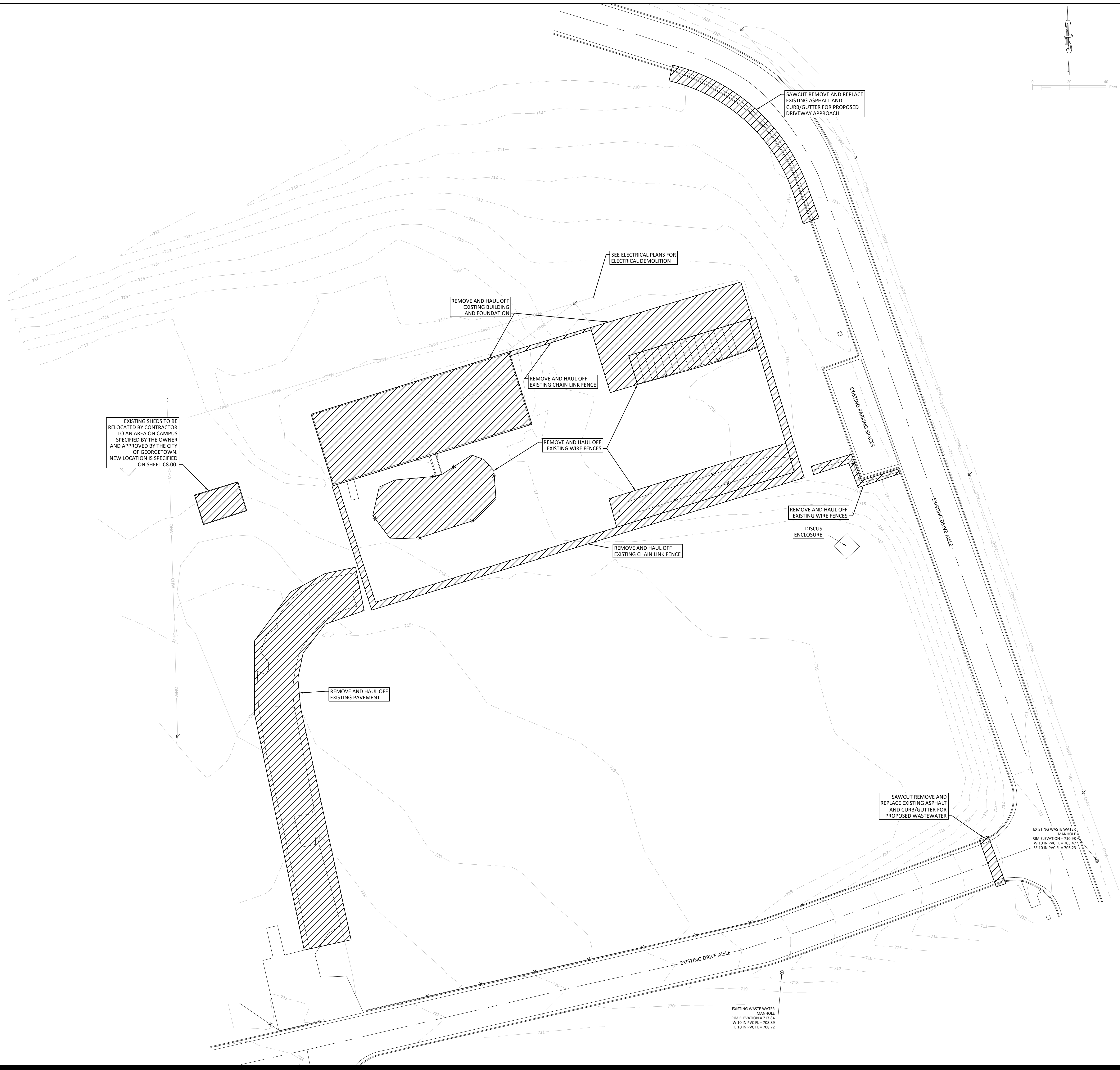
EROSION & SEDIMENTATION CONTROL DETAILS

SDP SET VOLUME 1

Job No. 1788-12-01 Sheet No. C7.00
Drawn By: ARB, JMC
Date: 10.13.2023

2024-SDP

Revision/Date



EXISTING SHEDS TO BE RELOCATED BY CONTRACTOR TO AN AREA ON CAMPUS SPECIFIED BY THE OWNER AND APPROVED BY THE CITY OF GEORGETOWN. NEW LOCATION IS SPECIFIED ON SHEET C8.00.

Date
Revision/

Project:
**GEORGETOWN HIGH SCHOOL AG FACILITIES
 FOR
 GEORGETOWN I.S.D.**
 2299 N. AUSTIN AVE GEORGETOWN, TEXAS 78626

STEGER BIZZELL
 1978 S. AUSTIN AVENUE
 GEORGETOWN, TX 78626
 512.930.9412 VOICE
 512.930.9416 FAX
 WWW.STEGERBIZZELL.COM
 TX REG. ENG. FIRM - F181

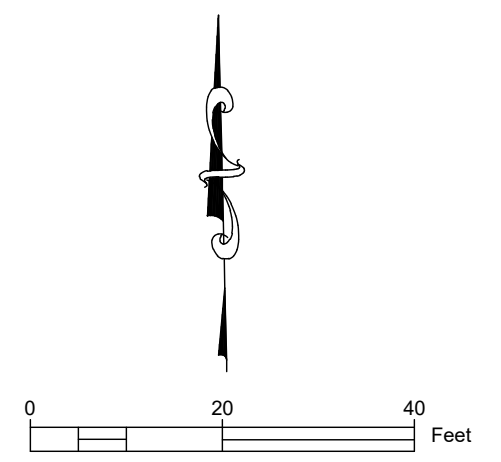
STEGER BIZZELL JOB # 22888

Huckabee
 AUSTIN • DALLAS • FORT WORTH • HOUSTON • WACO
 www.huckabee-inc.com
 800.687.6229

DEMOLITION PLAN

SDP SET	VOLUME 1
Job No. 1768-12-01	Sheet No. C8.00
Drawn By: ARB, JMC	
Date: 10.13.2023	

2024-SDP



LEGEND

- ◆ BENCHMARK
- IRON ROD FOUND (1/2" OR AS NOTED)
- IRON ROD WITH CAP STAMPED "STEGER BIZZELL" SET
- FIRE HYDRANT
- WATER METER
- WATER VALVE
- GAS METER
- GAS VALVE
- ELECTRIC METER
- LIGHT POLE
- UTILITY POLE
- WASTEWATER (SANITARY SEWER) MANHOLE
- CLEAN OUT (SANITARY SEWER/WASTEWATER)
- STORM DRAINAGE MANHOLE
- SIGN POST
- MAILBOX
- X — WIRE FENCE "TYPE NOTED"-IF APPLICABLE
- CHAINLINK FENCE
- WOOD FENCE
- / — OVERHEAD WIRES
- DE DRAINAGE EASEMENT
- PUE PUBLIC UTILITY EASEMENT
- ROW RIGHT-OF-WAY
- OR OFFICIAL RECORDS OF WILLIAMSON COUNTY, TEXAS
- OPR OFFICIAL PUBLIC RECORDS OF WILLIAMSON COUNTY, TEXAS
- DR DIED RECORDS OF WILLIAMSON COUNTY, TEXAS
- PR PLAT RECORDS OF WILLIAMSON COUNTY, TEXAS
- POB POINT OF BEGINNING
- 123 — PROPOSED CONTOUR
- — — — — EXISTING CONTOUR
- — — — — ACCESSIBLE ROUTE
- FFE FINISHED FLOOR ELEVATION
- FG FINISHED GRADE
- TC TOP OF CURB
- TP TOP OF PAVEMENT
- TW TOP OF WALL
- H.P. HIGH POINT



Warning!
 There are existing water pipelines, underground telephone cables and other above and below ground utilities in the vicinity of this project. The Contractor shall contact all appropriate companies prior to any construction in the area and determine if any conflicts exist. If so, the Contractor shall immediately contact the Engineer who shall revise the design as necessary.

NOTE: REFERENCE GEOTECHNICAL REPORT FOR SITE PREPARATION AND EARTHWORK REQUIREMENTS.

Project: GEORGETOWN HIGH SCHOOL AG FACILITIES FOR GEORGETOWN I.S.D., 2299 N. AUSTIN AVE GEORGETOWN, TEXAS 78626

STEGER BIZZELL
 1978 S. AUSTIN AVENUE
 GEORGETOWN, TX 78626
 512.930.9412 VOICE
 512.930.9416 FAX
 WWW.STEGERBIZZELL.COM
 TX REG. ENG. FIRM - F181

STEGER BIZZELL JOB # 22888

Huckabee
 AUSTIN • DALLAS • FORT WORTH • HOUSTON • WACO
 www.huckabee-inc.com
 800.887.0228

GRADING PLAN

SDP SET	VOLUME 1
Job No. 1788-12-01	Sheet No. C10.00
Drawn By: ARB, JMC	
Date: 10.13.2023	

2024-SDP

PRIVATE FIRE HYDRANT MAINTENANCE

LA-507.5.7 City of Georgetown Fire Hydrant Color Code System. Private fire hydrant maintenance shall be in accordance with NFPA 291.

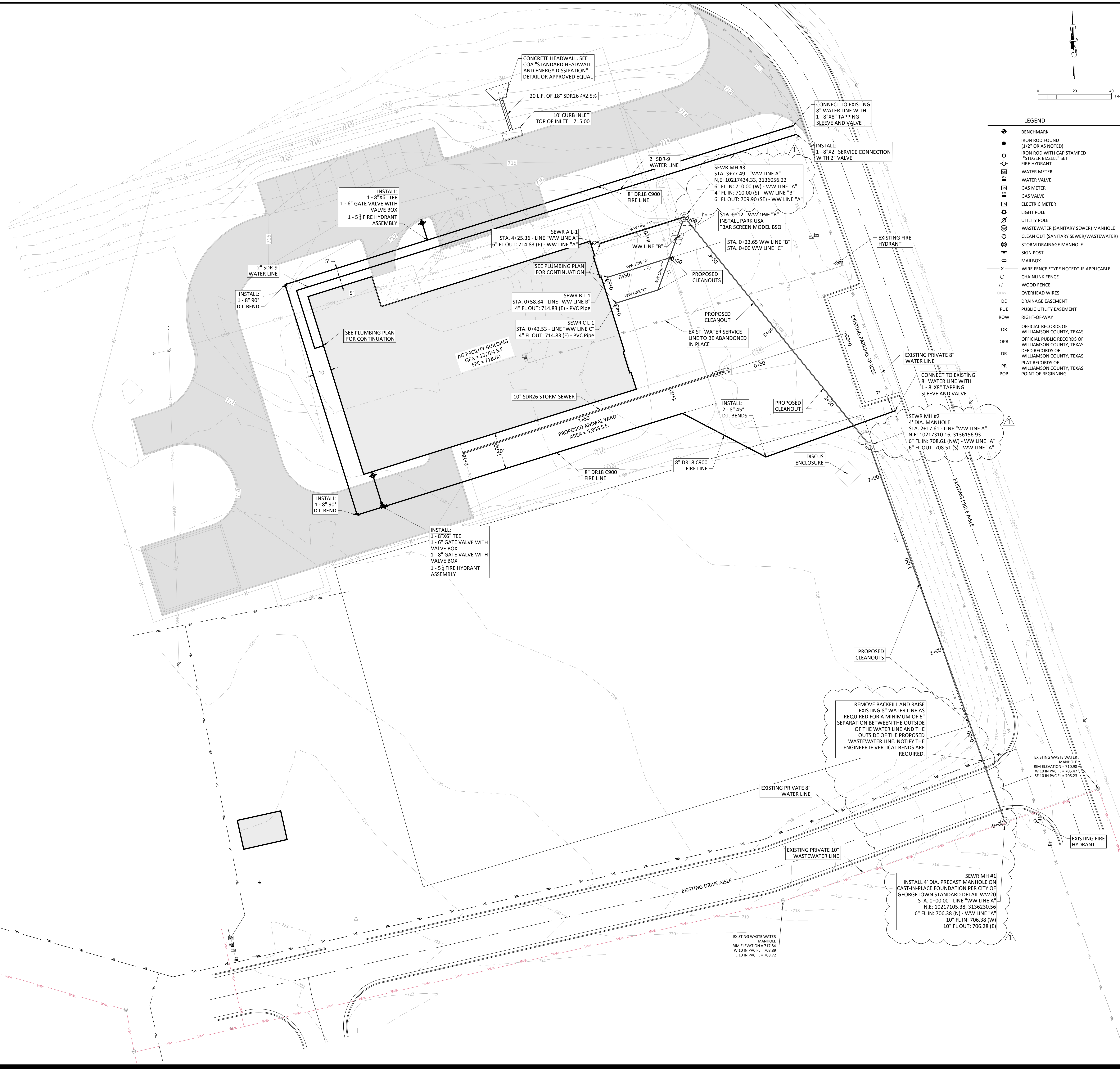
A. All private hydrant barrels will be painted red with the bonnet painted using the hydrant flow standard in Paragraph C of this Section to indicate flow. It will be the customer's responsibility to test and maintain their private fire hydrants(s).

B. All private fire hydrants should be annually and shall be color coded to indicate the expected fire flow from the hydrant during normal operation. Such color applied to the fire hydrant by painting the bonnet the appropriate color for the expected flow condition.

C. Hydrant Flow Coding Standards

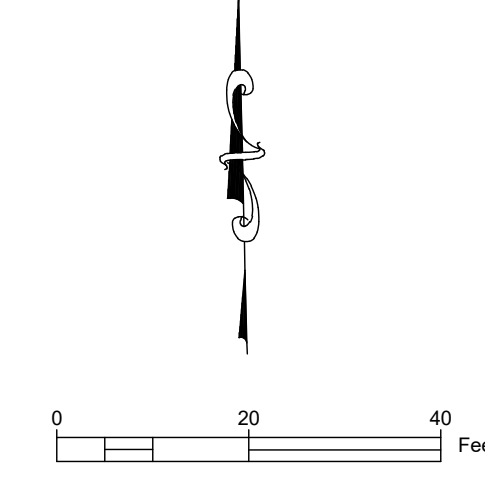
FLOW	COLOR
>1500 GPM	BLUE
1000 to 1500 GPM	GREEN
500 to 999 GPM	ORANGE
<500 GPM	RED
Not working	BLACK OR BAGGED

D. At the conclusion of construction fire hydrants shall be flow tested and color coded in accordance with city's standards, and results shall be emailed to the fire department. IFC-LA-507.5.7 Fire Hydrant System



LEGEND

◆	BENCHMARK
●	IRON ROD FOUND (1/2" OR AS NOTED)
○	IRON ROD WITH CAP STAMPED "STEGER BIZZELL" SET
○	FIRE HYDRANT
○	WATER METER
○	WATER VALVE
○	GAS METER
○	GAS VALVE
○	ELECTRIC METER
○	LIGHT POLE
○	UTILITY POLE
○	WASTEWATER (SANITARY SEWER) MANHOLE
○	CLEAN OUT (SANITARY SEWER/WASTEWATER)
○	STORM DRAINAGE MANHOLE
○	SIGN POST
○	MAILBOX
X	WIRE FENCE "TYPE NOTED"-IF APPLICABLE
○	CHAINLINK FENCE
○	WOOD FENCE
---	OVERHEAD WIRES
---	DRAINAGE EASEMENT
---	PUE PUBLIC UTILITY EASEMENT
---	ROW RIGHT-OF-WAY
OR	OFFICIAL RECORDS OF WILLIAMSON COUNTY, TEXAS
OPR	OFFICIAL PUBLIC RECORDS OF WILLIAMSON COUNTY, TEXAS
DR	DEED RECORDS OF WILLIAMSON COUNTY, TEXAS
PR	PLAT RECORDS OF WILLIAMSON COUNTY, TEXAS
POB	POINT OF BEGINNING



RP1 #7 - RAISED EXISTING WATER LINE TO PROVIDE 1' SEPARATION FROM PROPOSED WASTEWATER LINE. REVISED ELEVATIONS ACROSS MANHOLES TO PROVIDE 0.10' DROP.

Date: 02/27/24
Revision: 1

Project: GEORGETOWN HIGH SCHOOL AG FACILITIES FOR GEORGETOWN I.S.D., 2299 N. AUSTIN AVE GEORGETOWN, TEXAS 78626

STEGER BIZZELL

1978 S. AUSTIN AVENUE
GEORGETOWN, TX 78626
512.930.9412 VOICE
512.930.9416 FAX
WWW.STEGERBIZZELL.COM
TX REG. ENG. FIRM - P181

BRYAN ERIC MOORE
98920
LICENSED PROFESSIONAL ENGINEER
03/21/2024

STEGER BIZZELL JOB # 22888

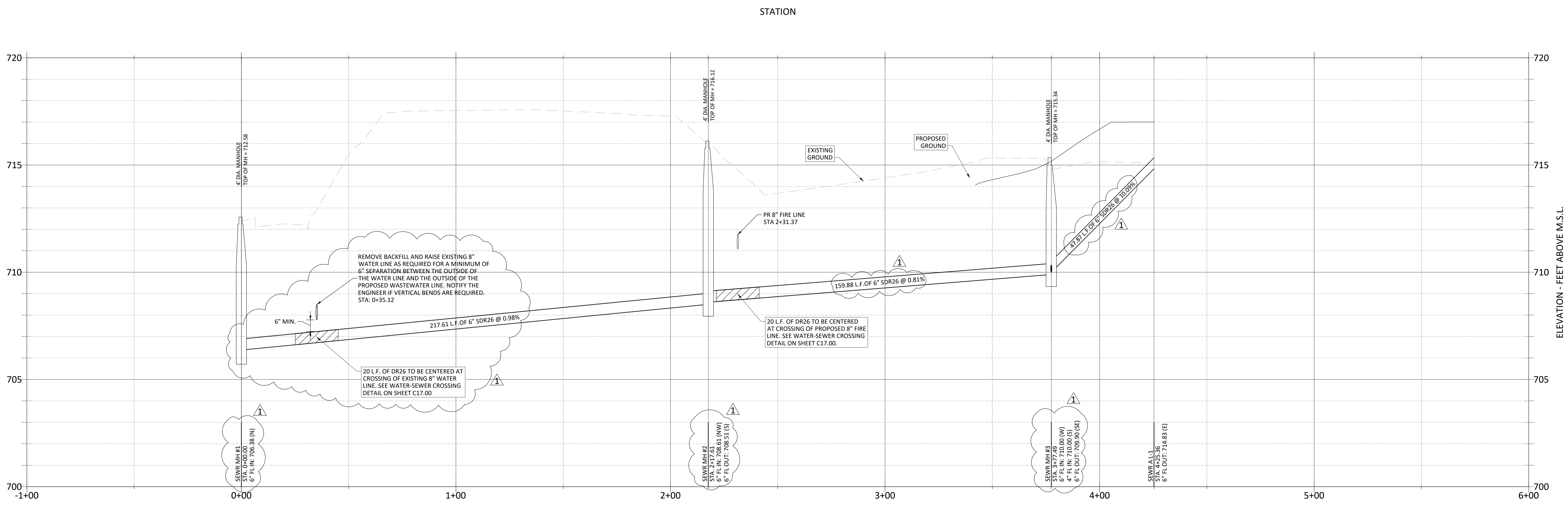
Huckabee

AUSTIN • DALLAS • FORT WORTH • HOUSTON • WACO
www.huckabee-inc.com
800.887.0228

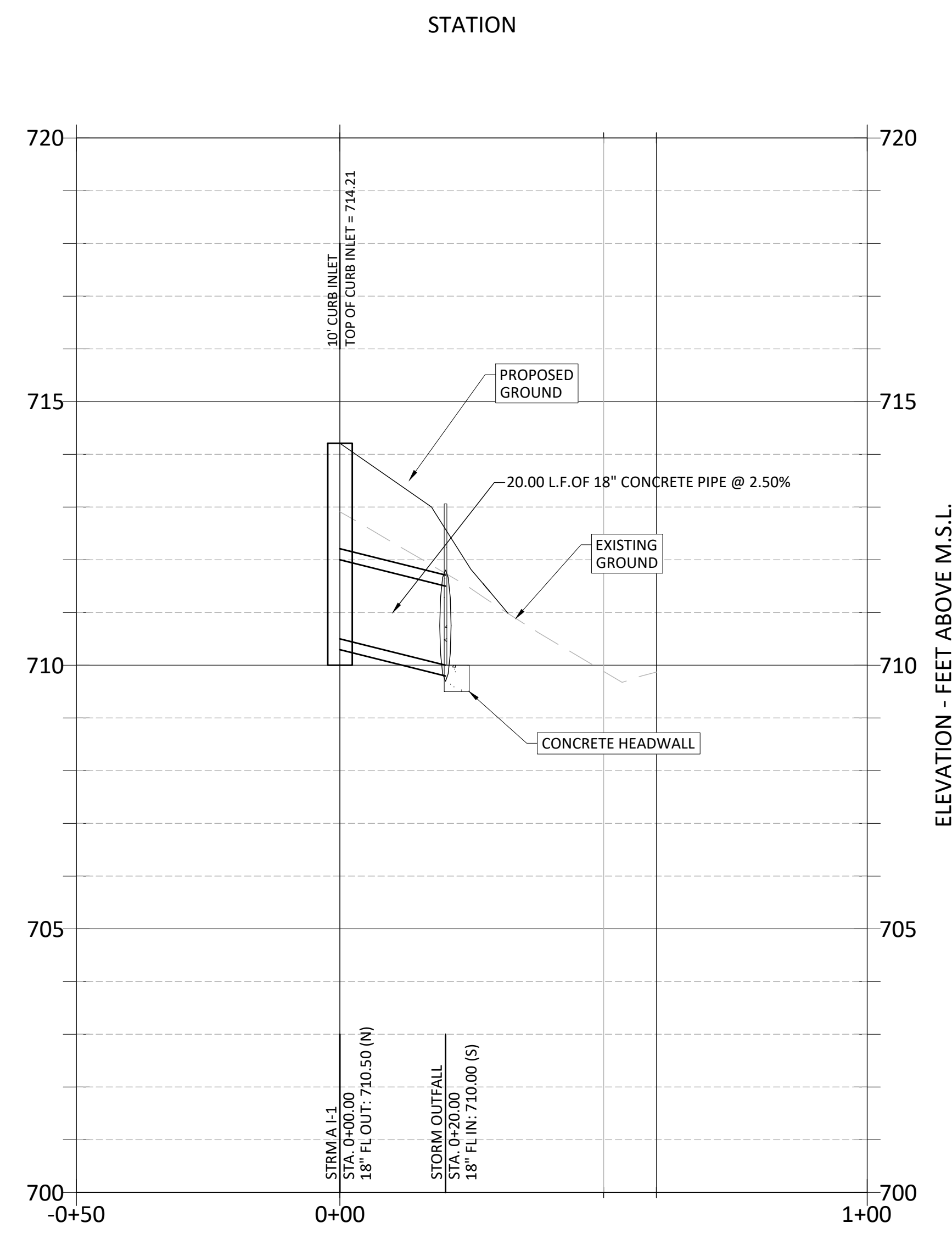
UTILITY & STORMSEWER PLAN

SDP SET VOLUME 1
Job No. 1788-12-01 Sheet No. C11.00
Drawn By: ARB, JMC
Date: 10.13.2023

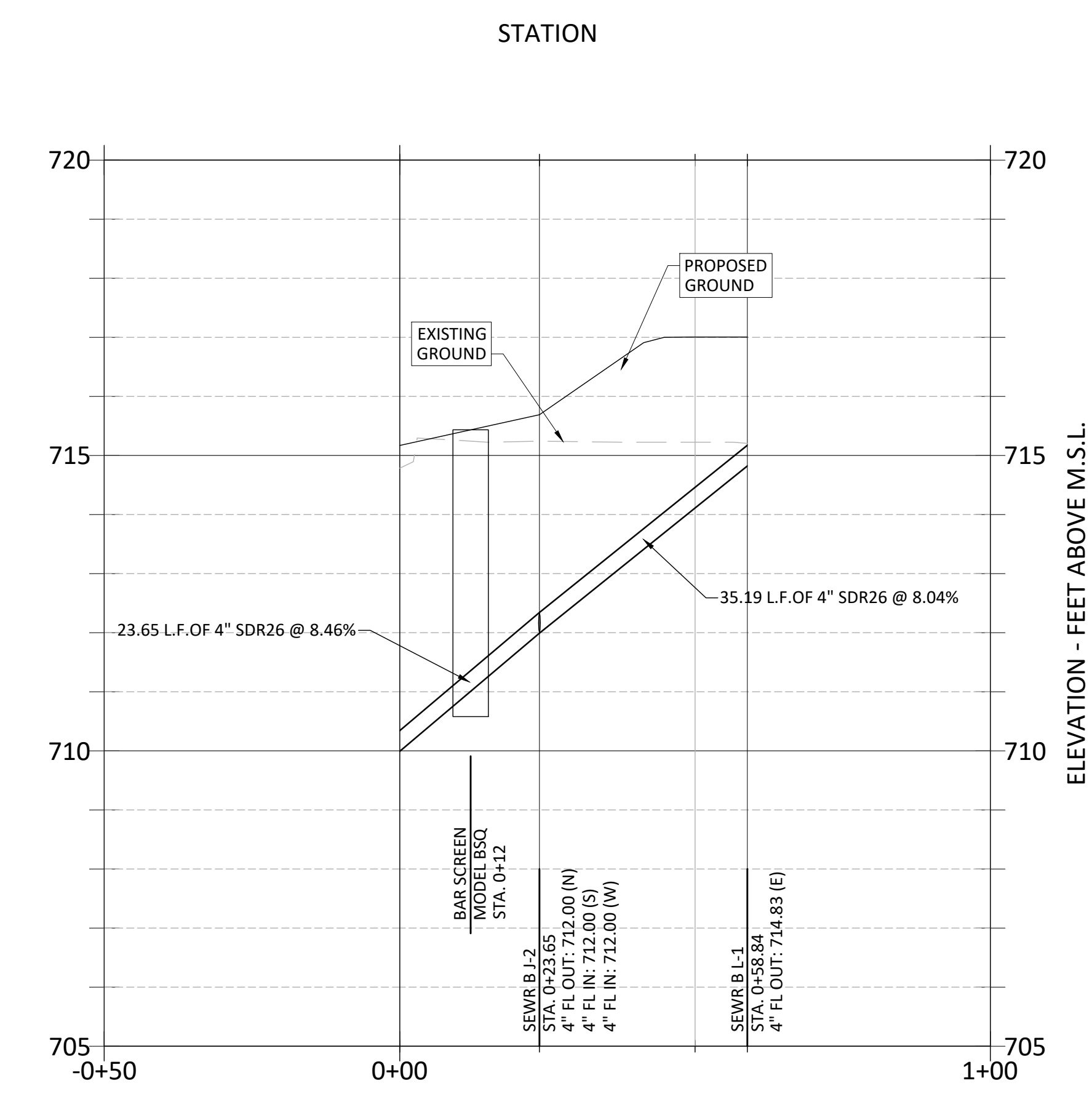
Warning!
There are existing water pipelines, underground telephone cables and other above and below ground utilities in the vicinity of this project. The Contractor shall contact all appropriate companies prior to any construction in the area and determine if any conflicts exist. If so, the Contractor shall immediately contact the Engineer who shall revise the design as necessary.



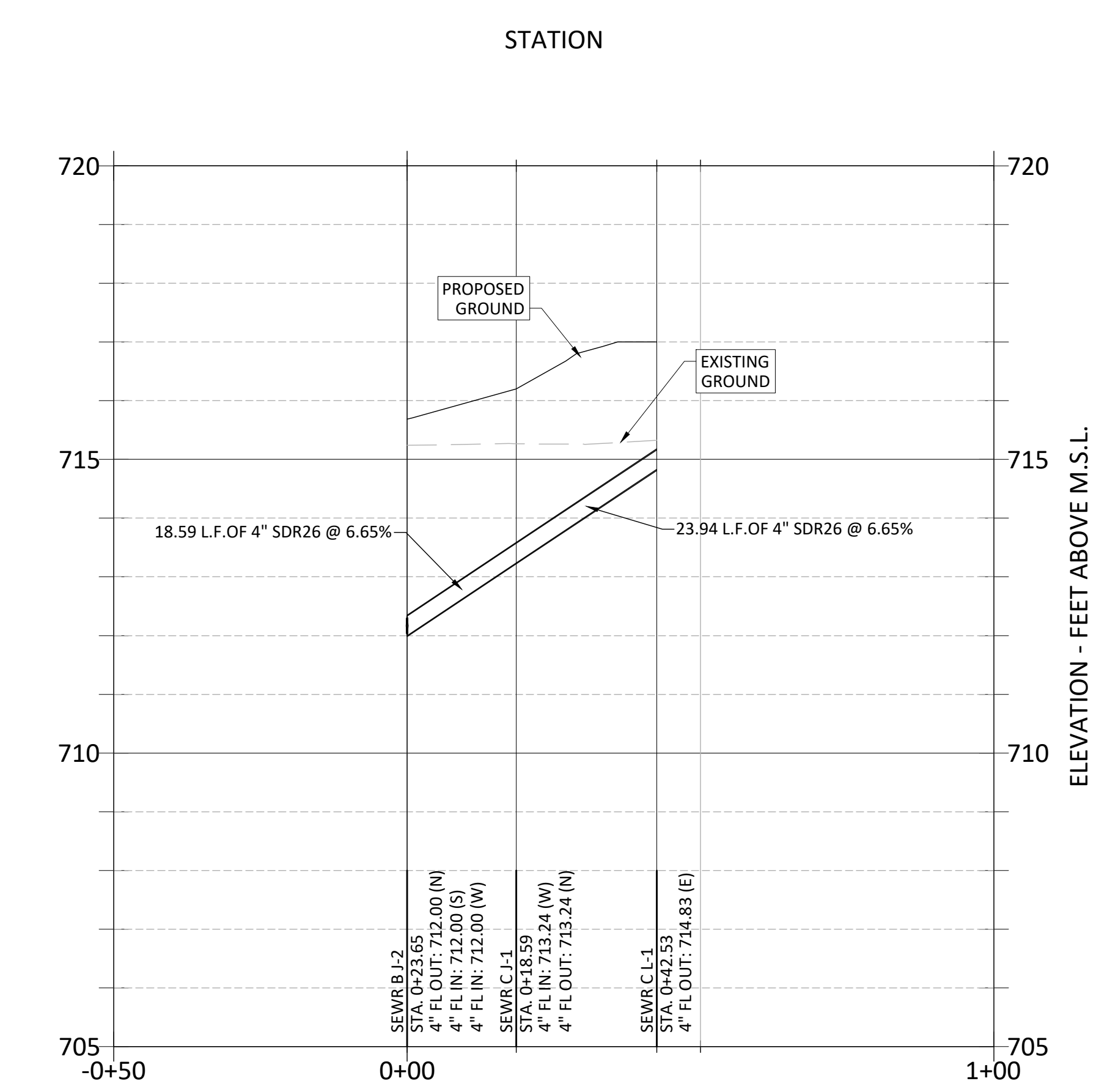
STATION
WW LINE A
 SCALE
 H: 1" = 20'
 V: 1" = 2'



STATION
STORM LINE A
 SCALE
 H: 1" = 20'
 V: 1" = 2'



STATION
WW LINE B
 SCALE
 H: 1" = 20'
 V: 1" = 2'



STATION
WW LINE C
 SCALE
 H: 1" = 20'
 V: 1" = 2'

Warning!
 There are existing water pipelines, underground telephone cables and other above and below ground utilities in the vicinity of this project. The Contractor shall contact appropriate companies prior to any construction in the area and determine if any conflicts exist. If so, the Contractor shall immediately contact the Engineer who shall revise the design as necessary.

Revision / Date
 02/27/24
 RF #7 - RAISED EXISTING WATER LINE TO PROVIDE 1" SEPARATION FROM PROPOSED WASTEWATER LINE. REVISED ELEVATIONS ACROSS MANHOLES TO PROVIDE 0.10' DROP.

Project:
 GEORGETOWN HIGH SCHOOL AG FACILITIES
 FOR
 GEORGETOWN I.S.D.
 2299 N. AUSTIN AVE GEORGETOWN, TEXAS 78626

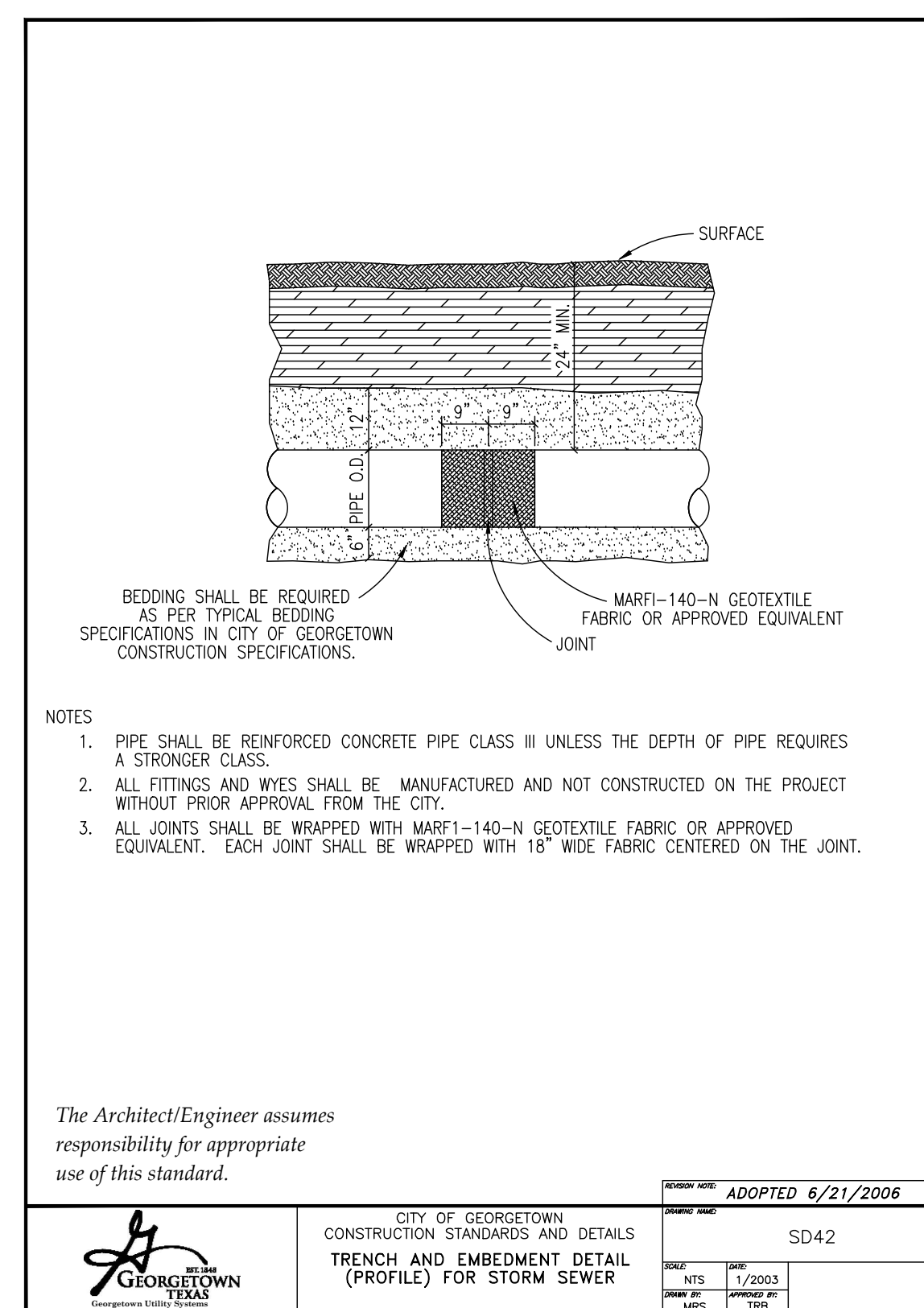
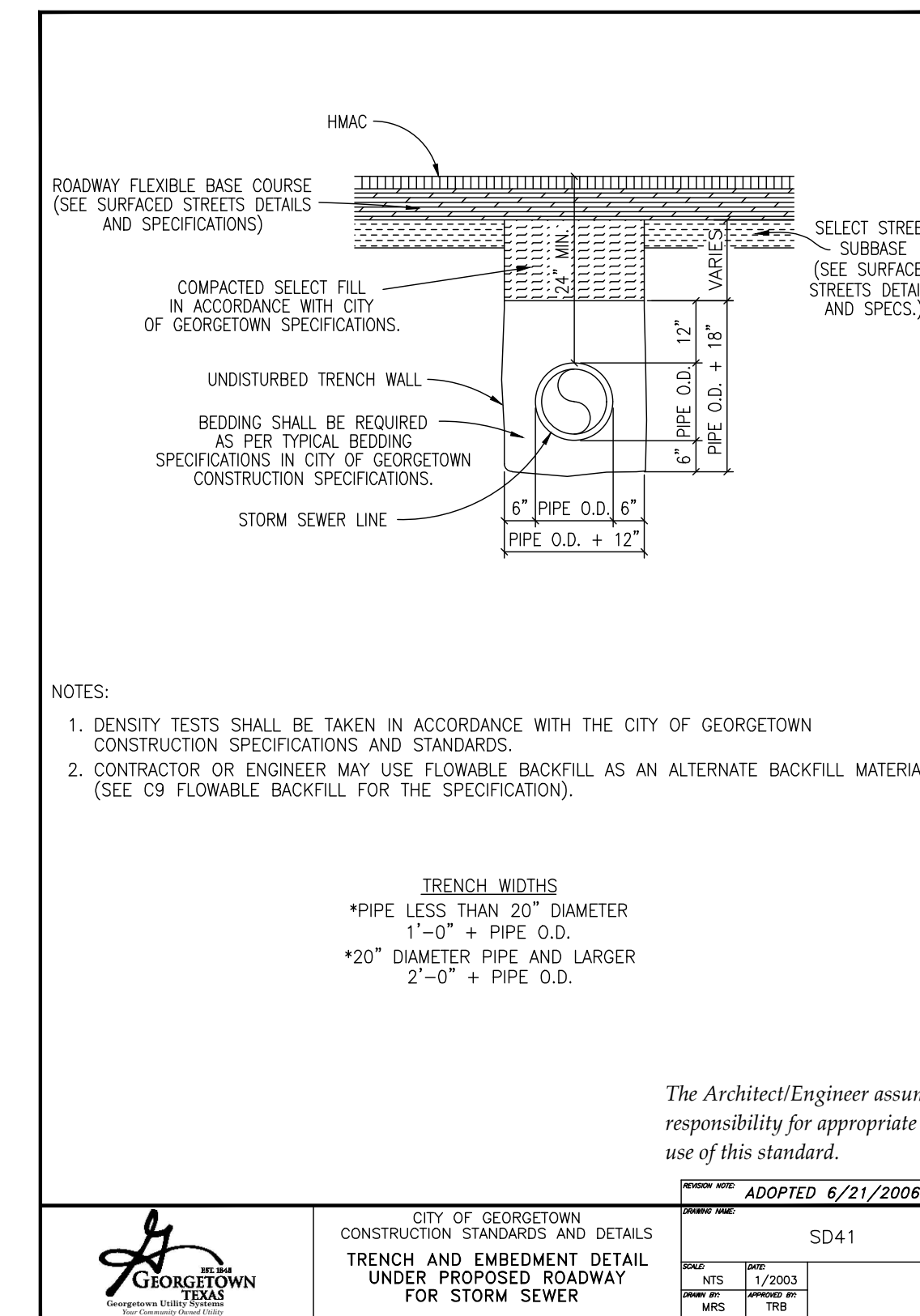
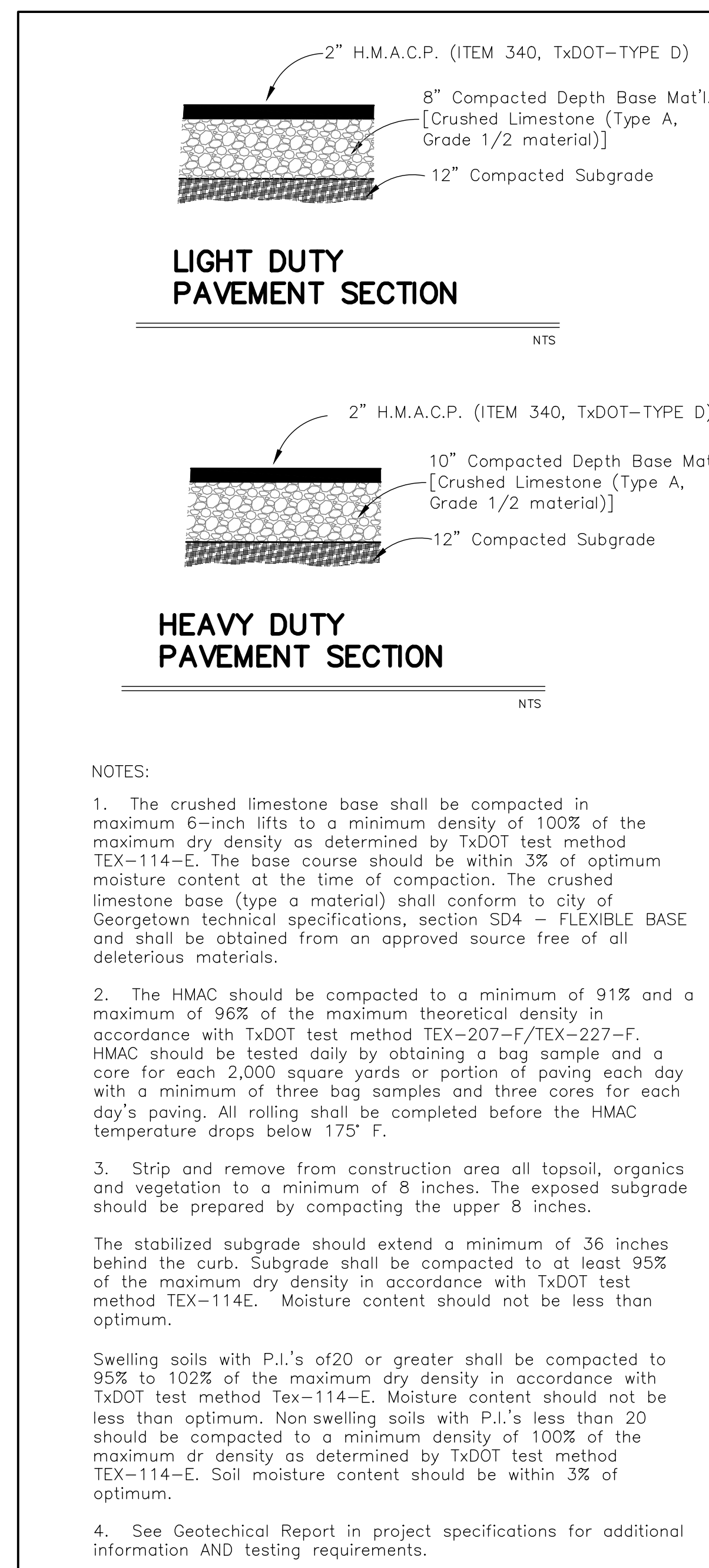
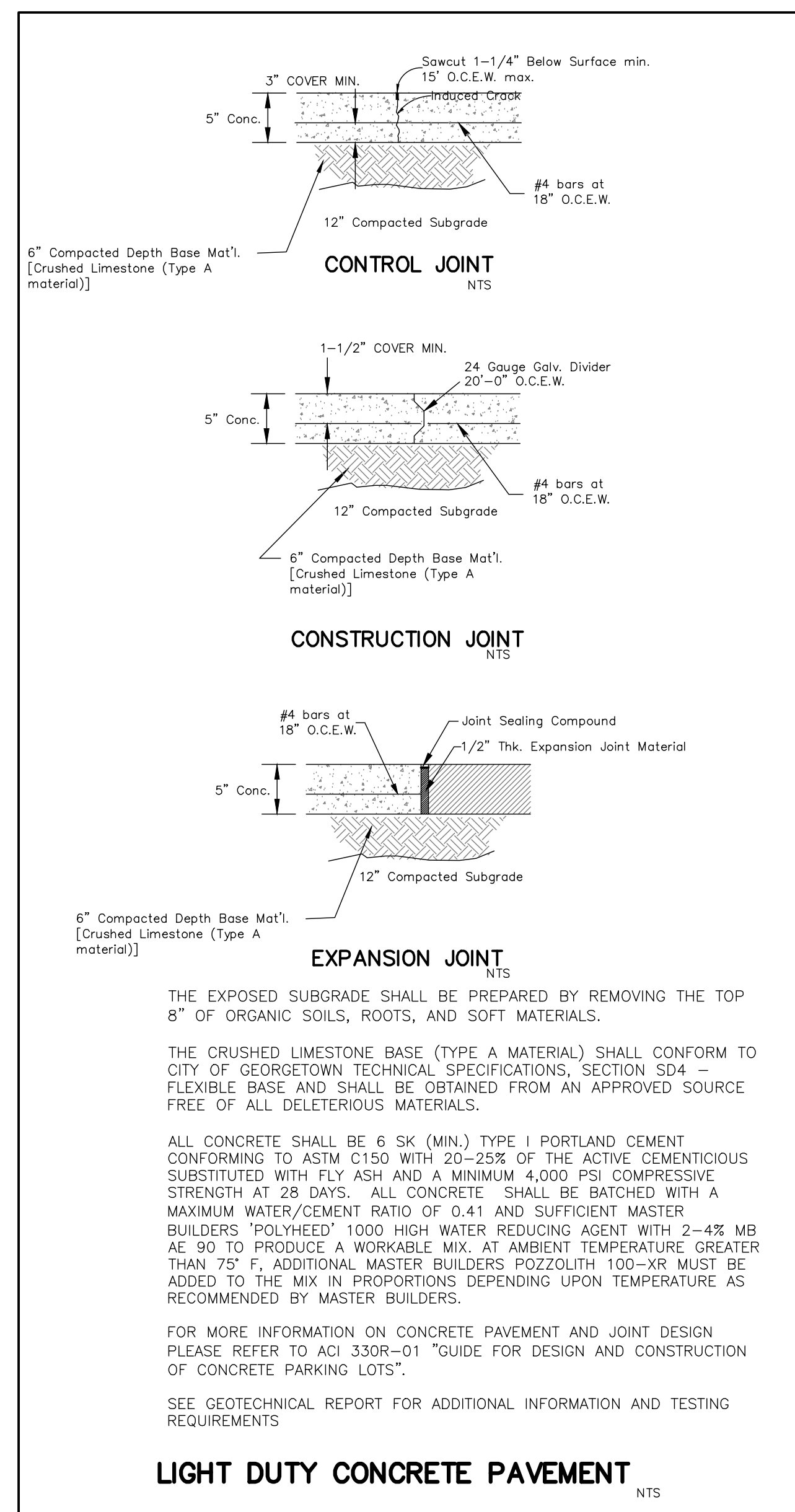
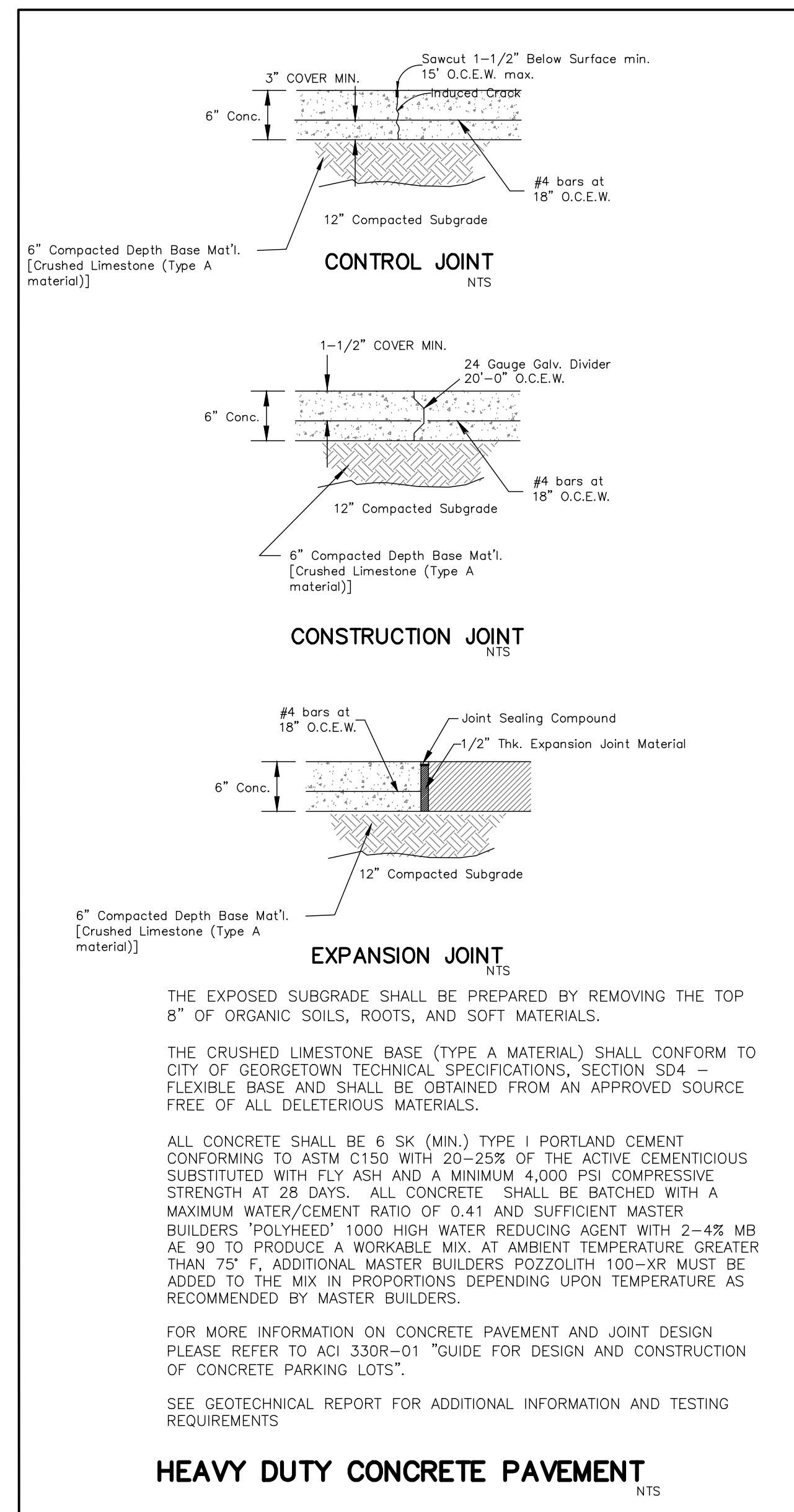
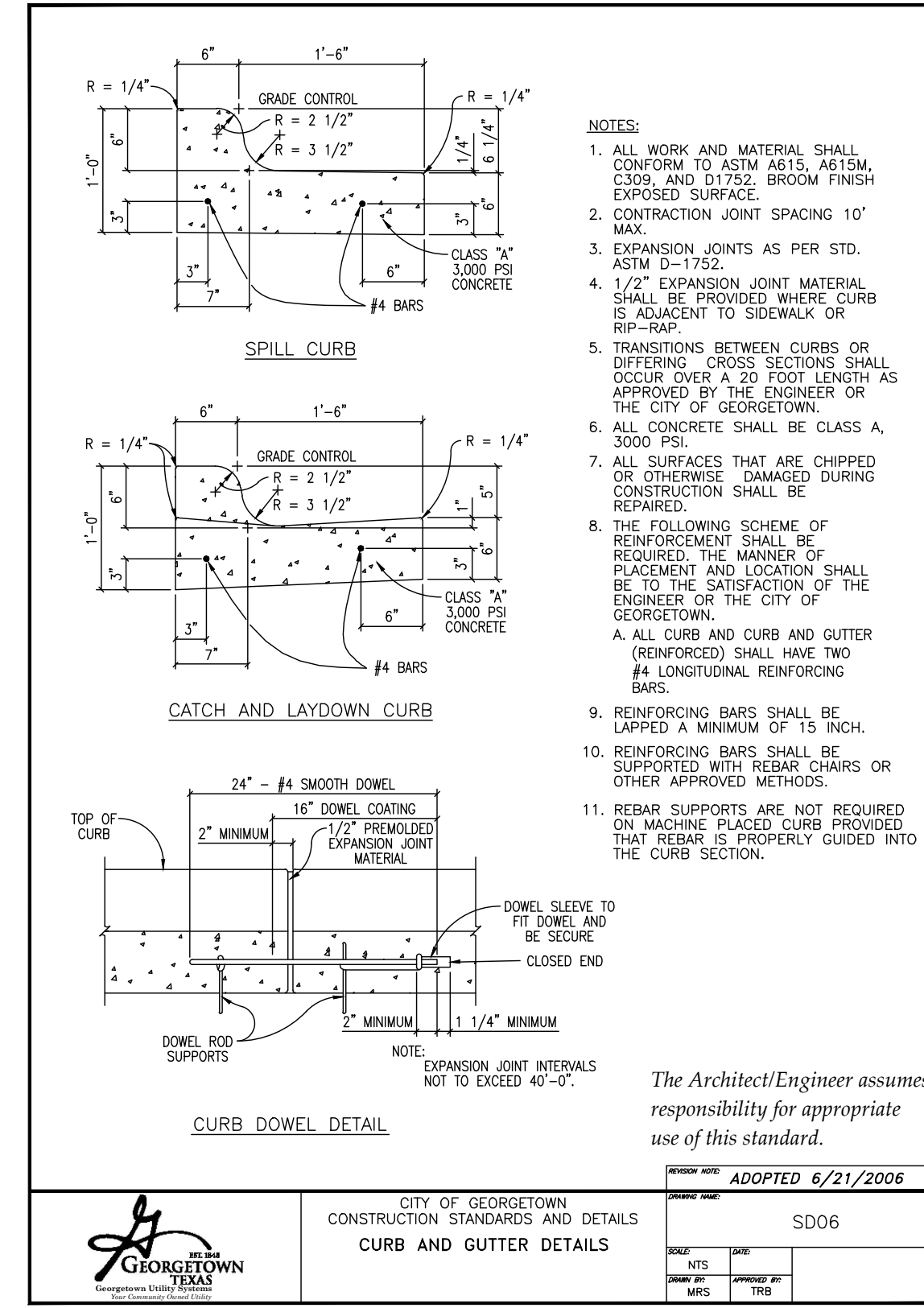
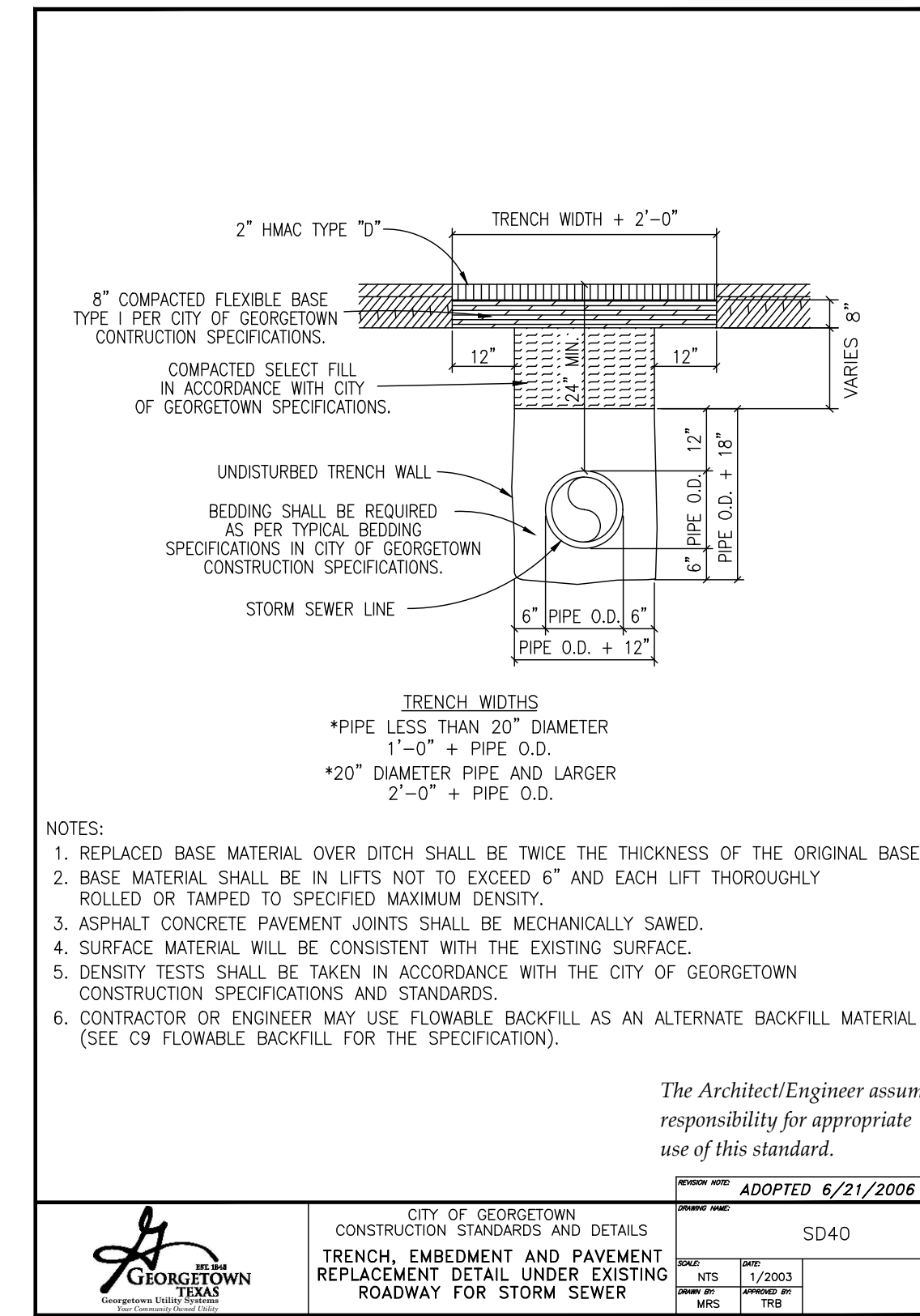
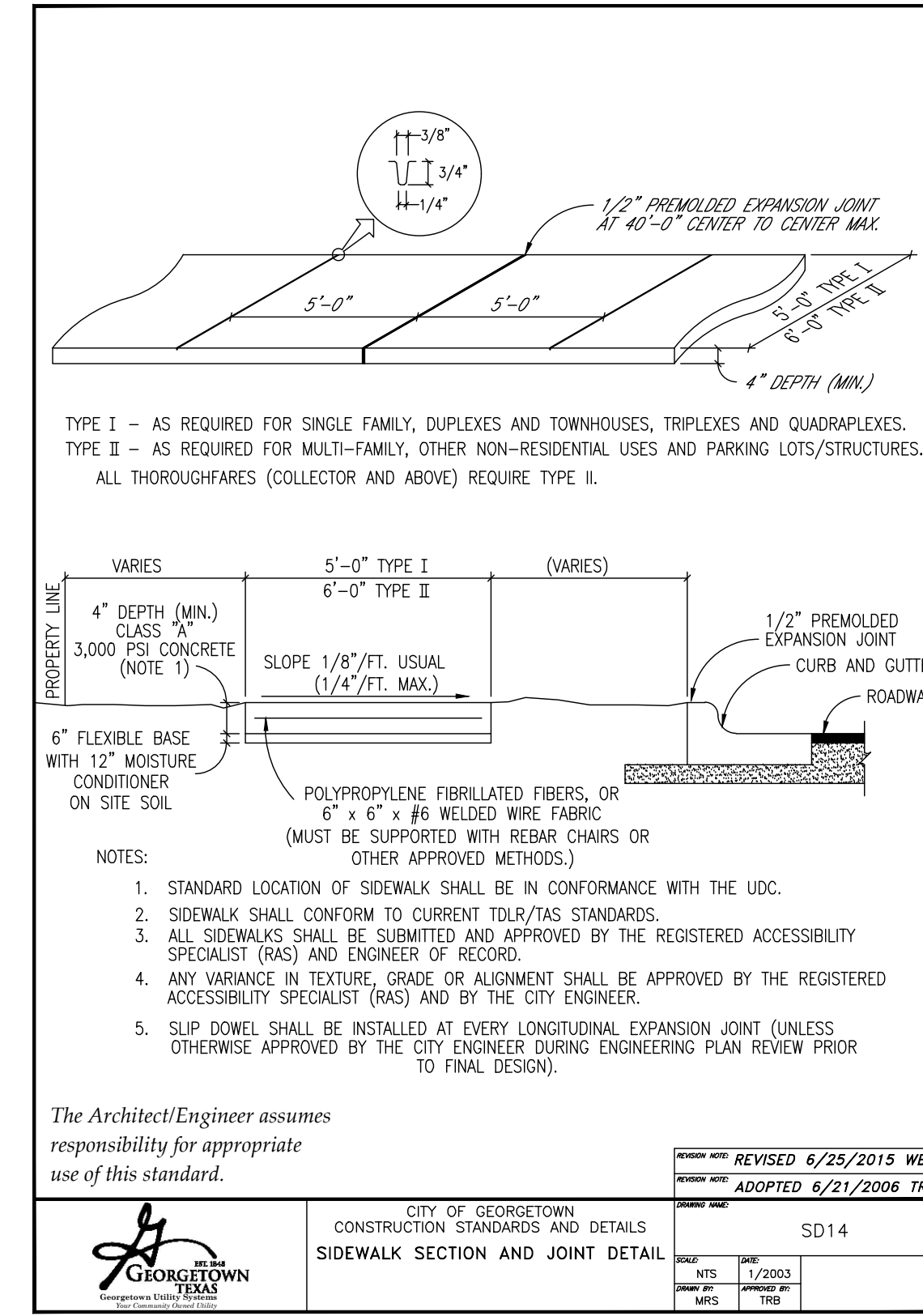
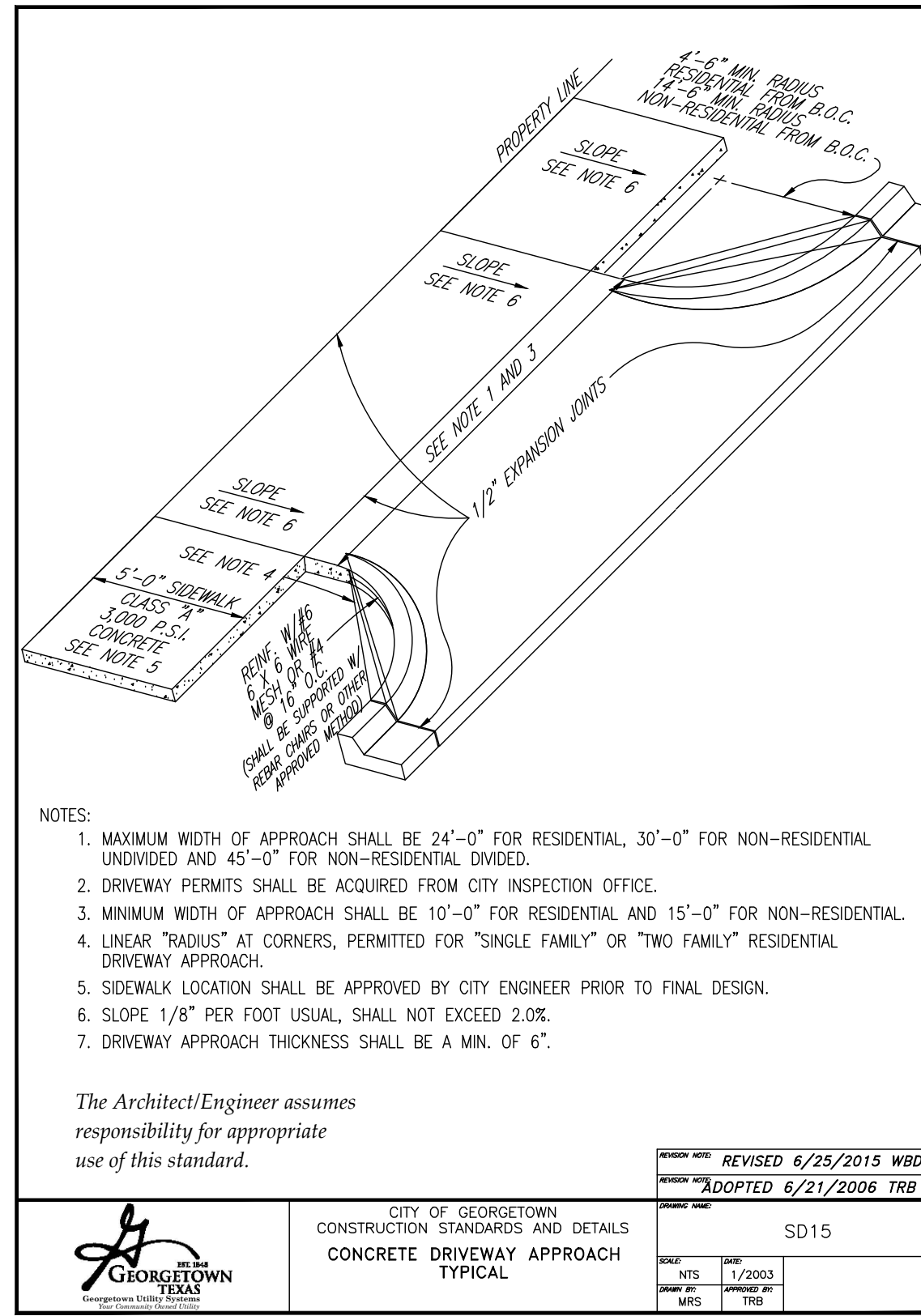
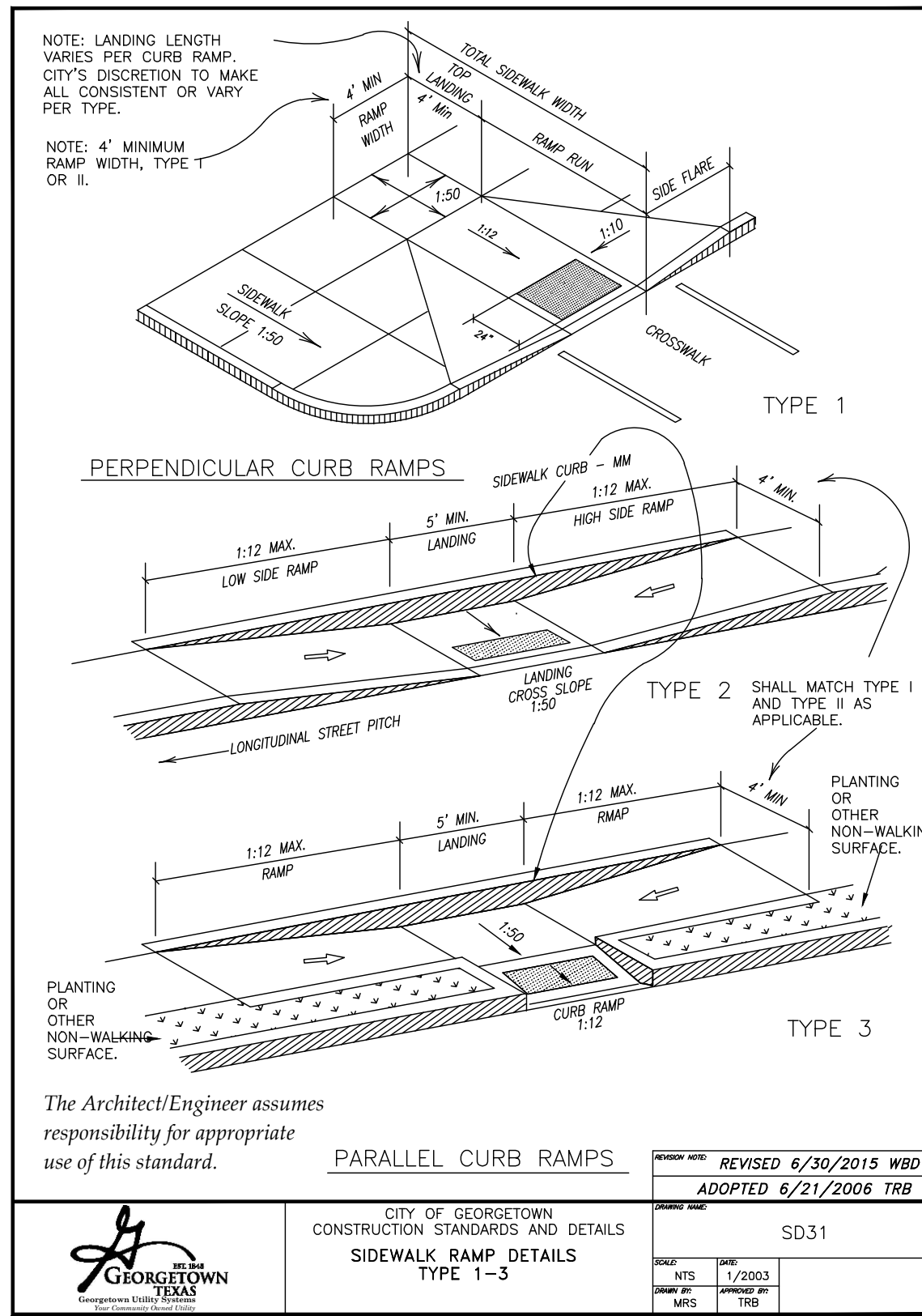
STEGER BIZZELL
 1978 S. AUSTIN AVENUE
 GEORGETOWN, TX 78626
 512.930.9412 VOICE
 512.930.9416 FAX
 WWW.STEGERBIZZELL.COM
 TX REG. ENG. FIRM - P181

STATE OF TEXAS
 BRYAN ERIC MOORE
 98920
 LICENSED PROFESSIONAL ENGINEER
 03/21/2024

STEGER BIZZELL JOB # 22888

Huckabee
 AUSTIN • DALLAS • FORT WORTH • HOUSTON • WACO
 www.huckabee-inc.com
 800.887.0228

WASTEWATER & STORM SEWER PROFILES
 SDP SET VOLUME 1
 Job No. 1788-12-01 Sheet No. C12.00
 Drawn By: ARB, JMC
 Date: 10.13.2023
 2024- SDP



Date

Revision/

Project: GEORGETOWN HIGH SCHOOL AG FACILITIES FOR GEORGETOWN I.S.D. 2299 N. AUSTIN AVE GEORGETOWN, TEXAS 78626

STEGER BIZZELL

1978 S. AUSTIN AVENUE
GEORGETOWN, TX 78626
512.930.9412 VOICE
512.930.9418 FAX
WWW.STEGERBIZZELL.COM
TX REG. ENG. FRW-1781



STEGER BIZZELL JOB # 22888

Huckabee

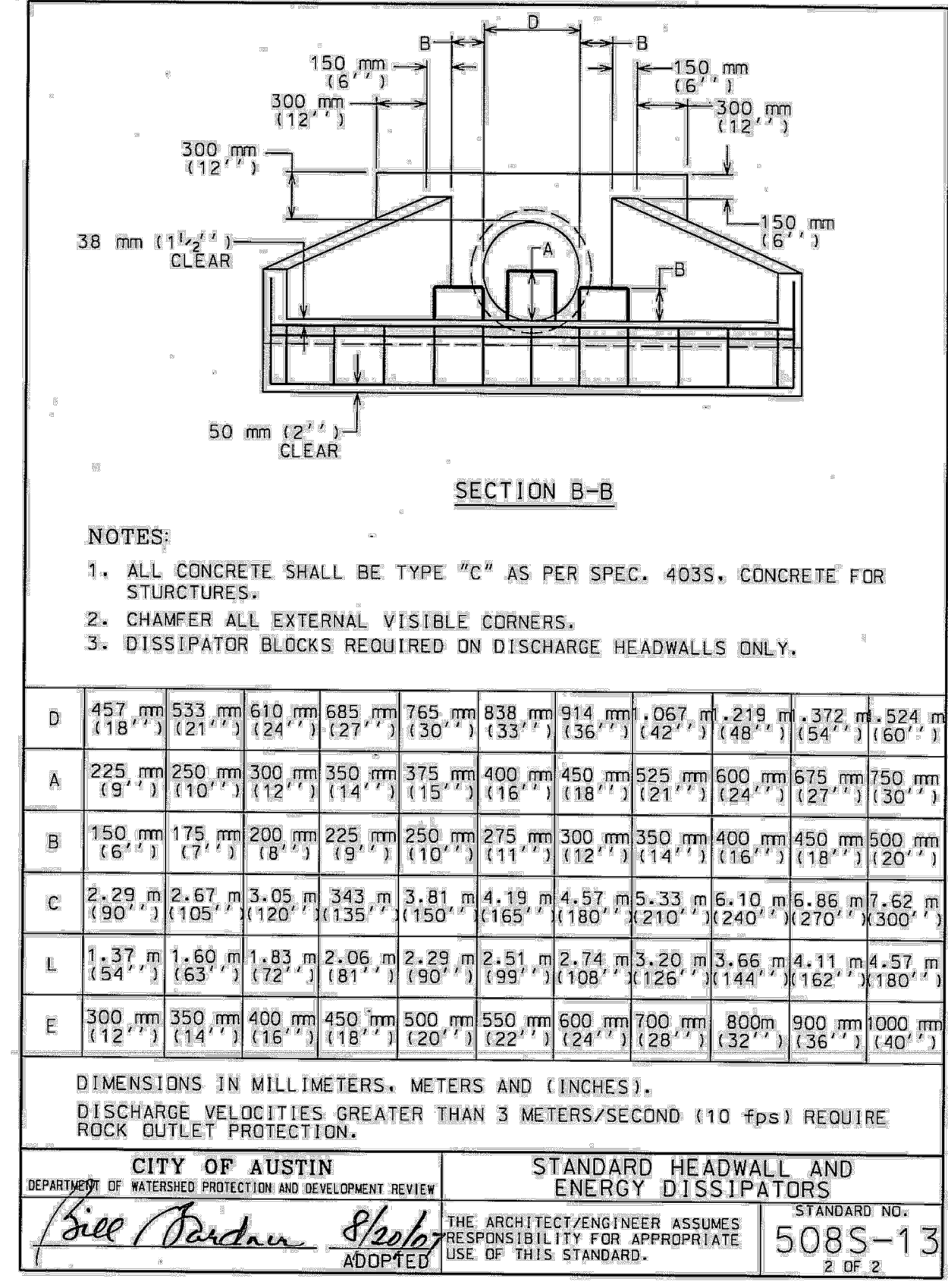
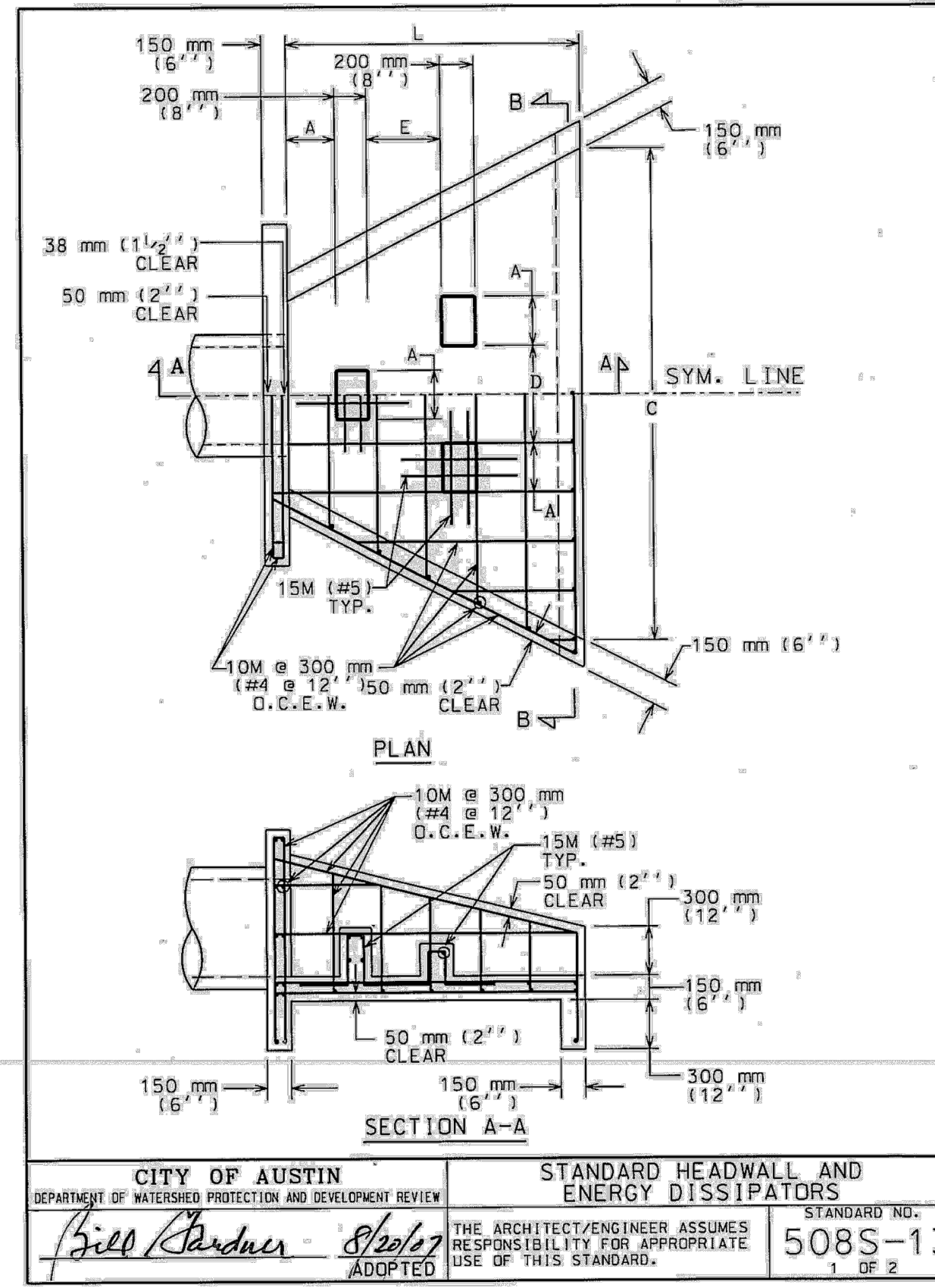
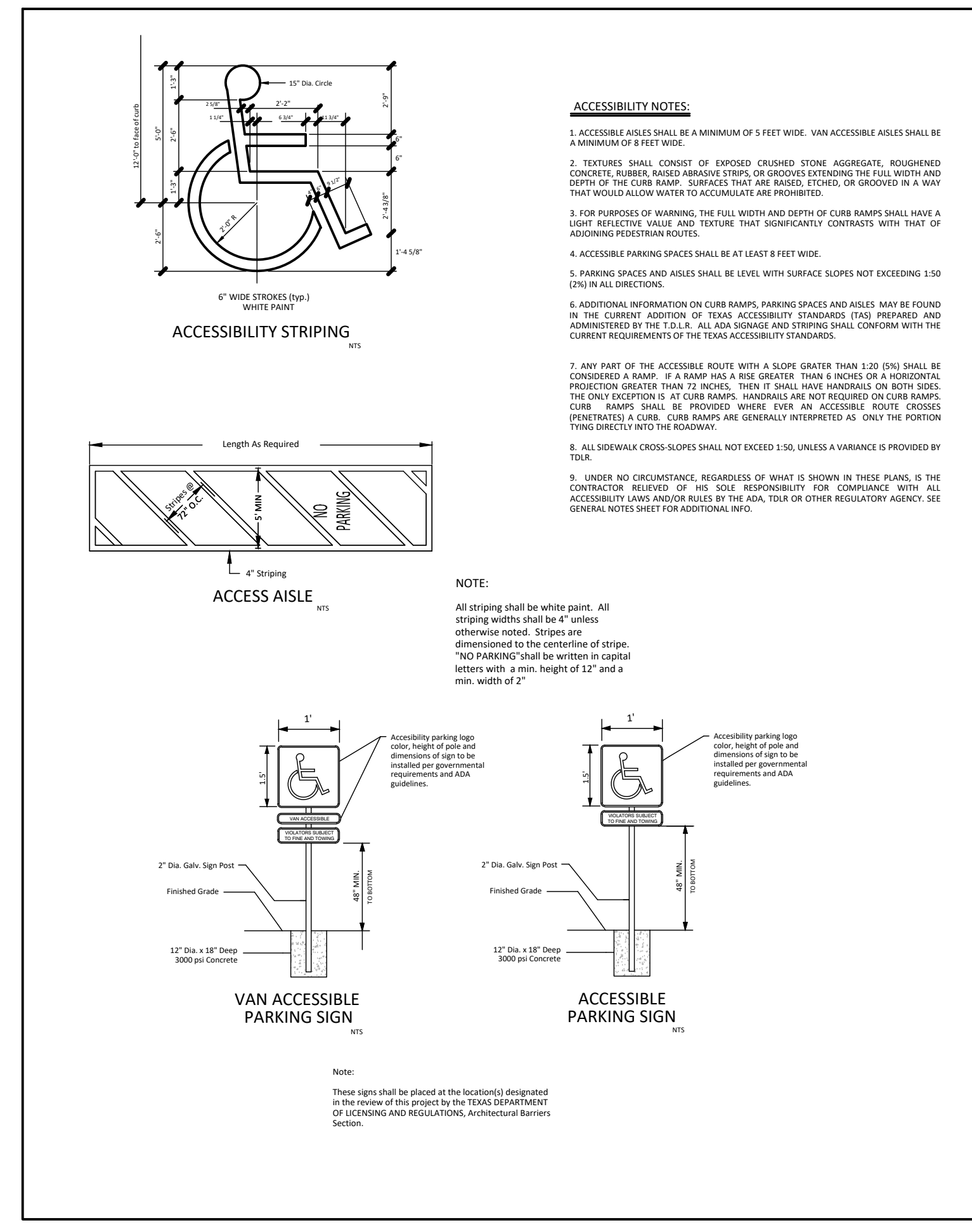
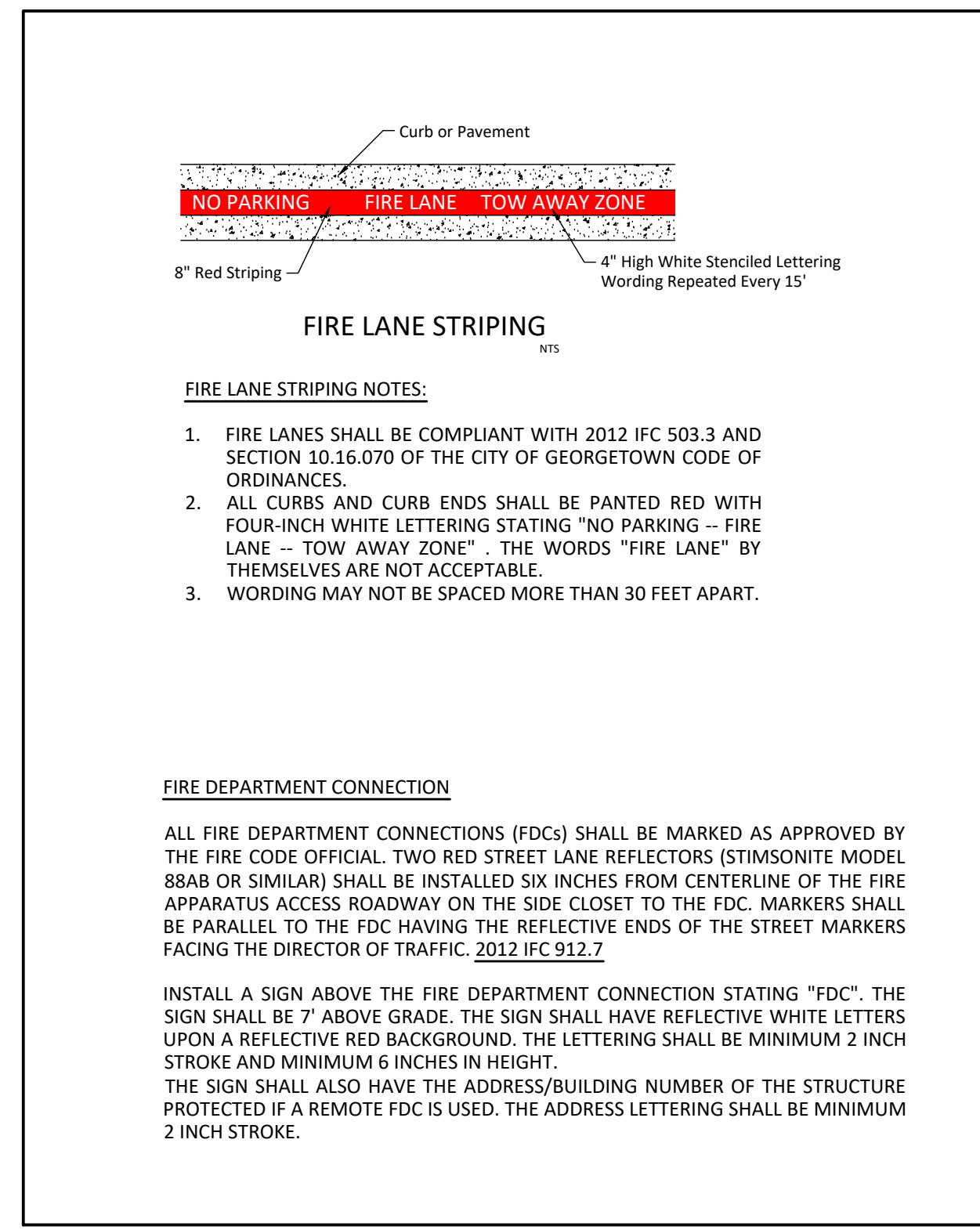
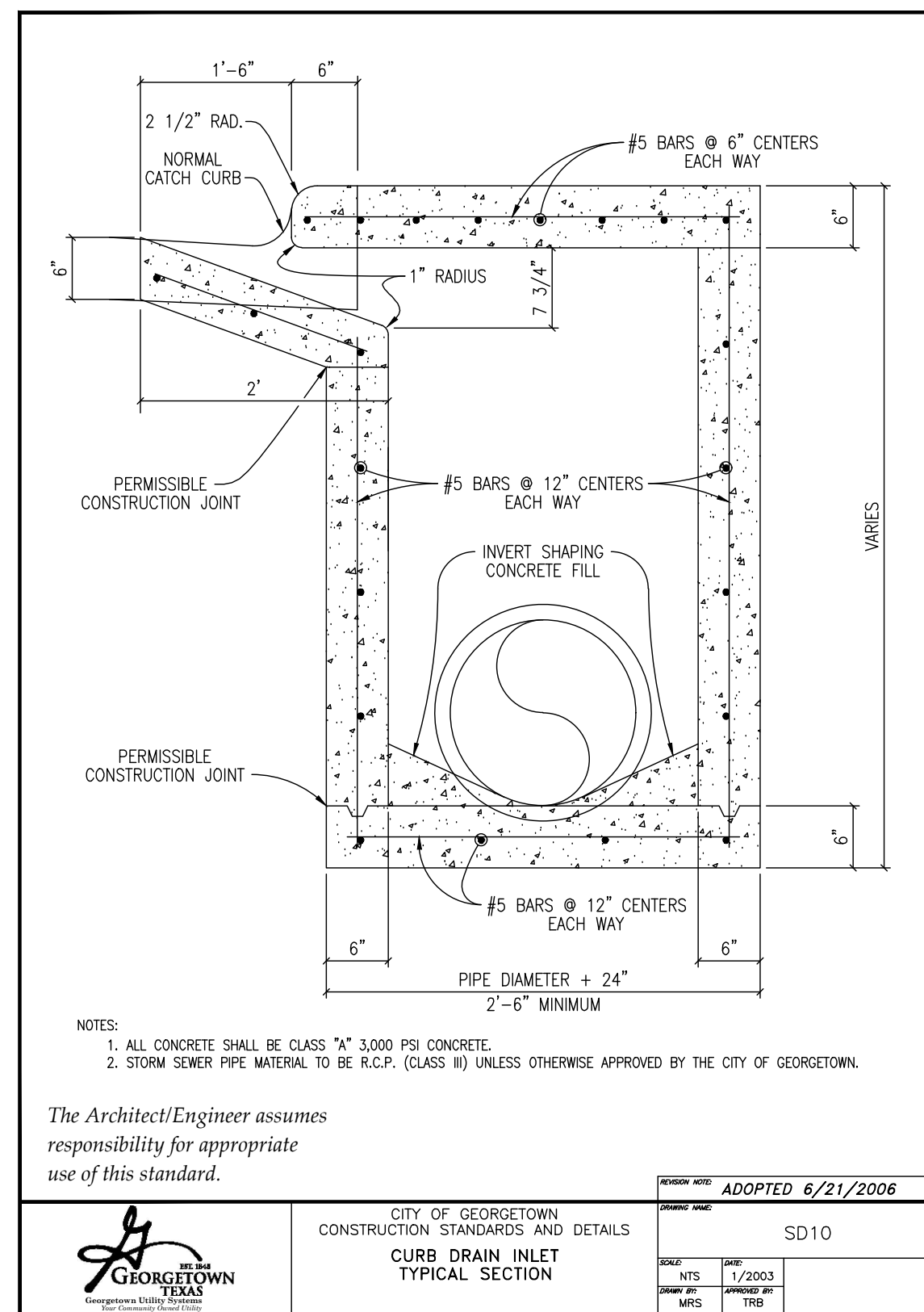
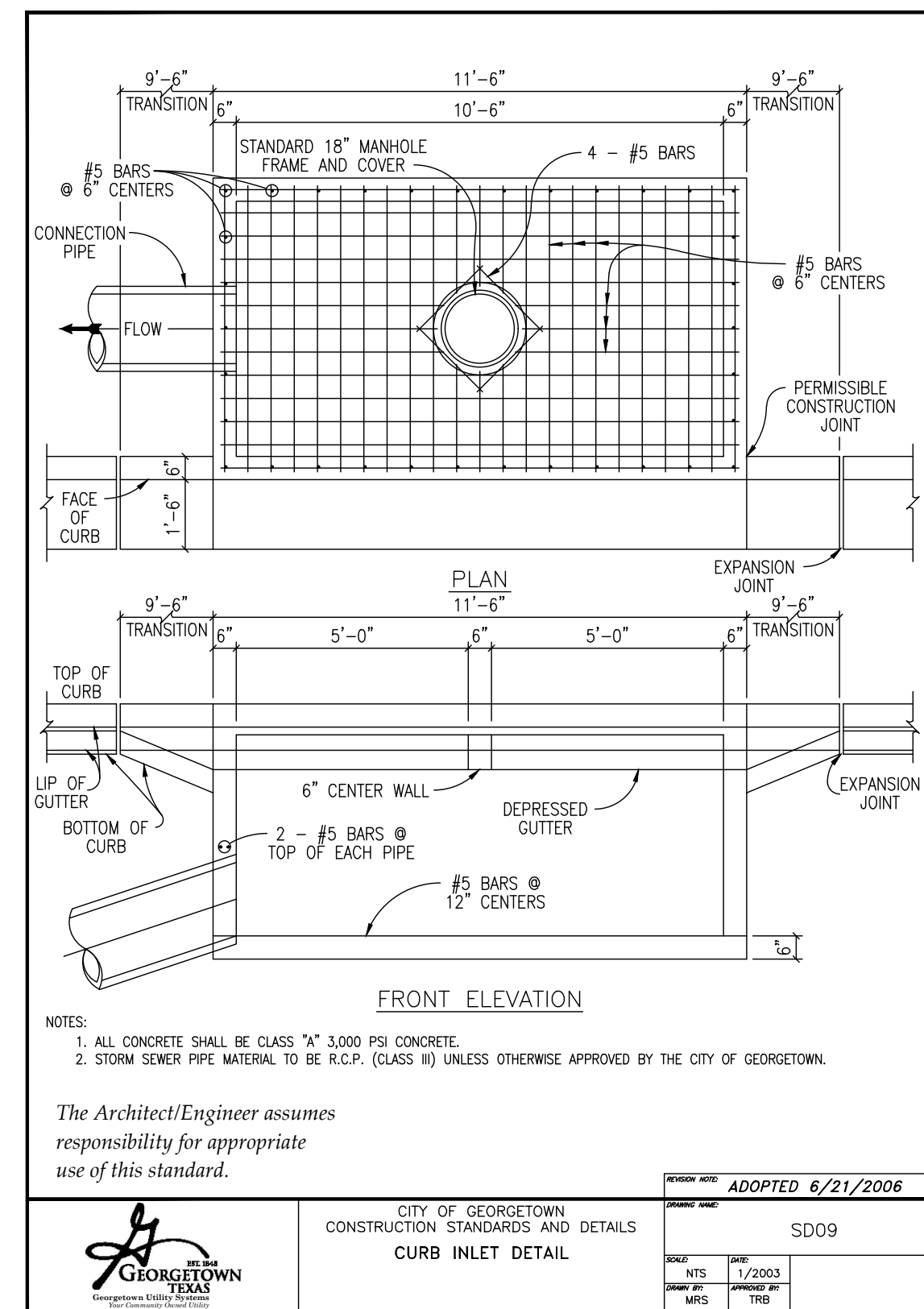
AUSTIN • DALLAS • FORT WORTH • HOUSTON • WACO

www.huckabee-inc.com
800.687.0228

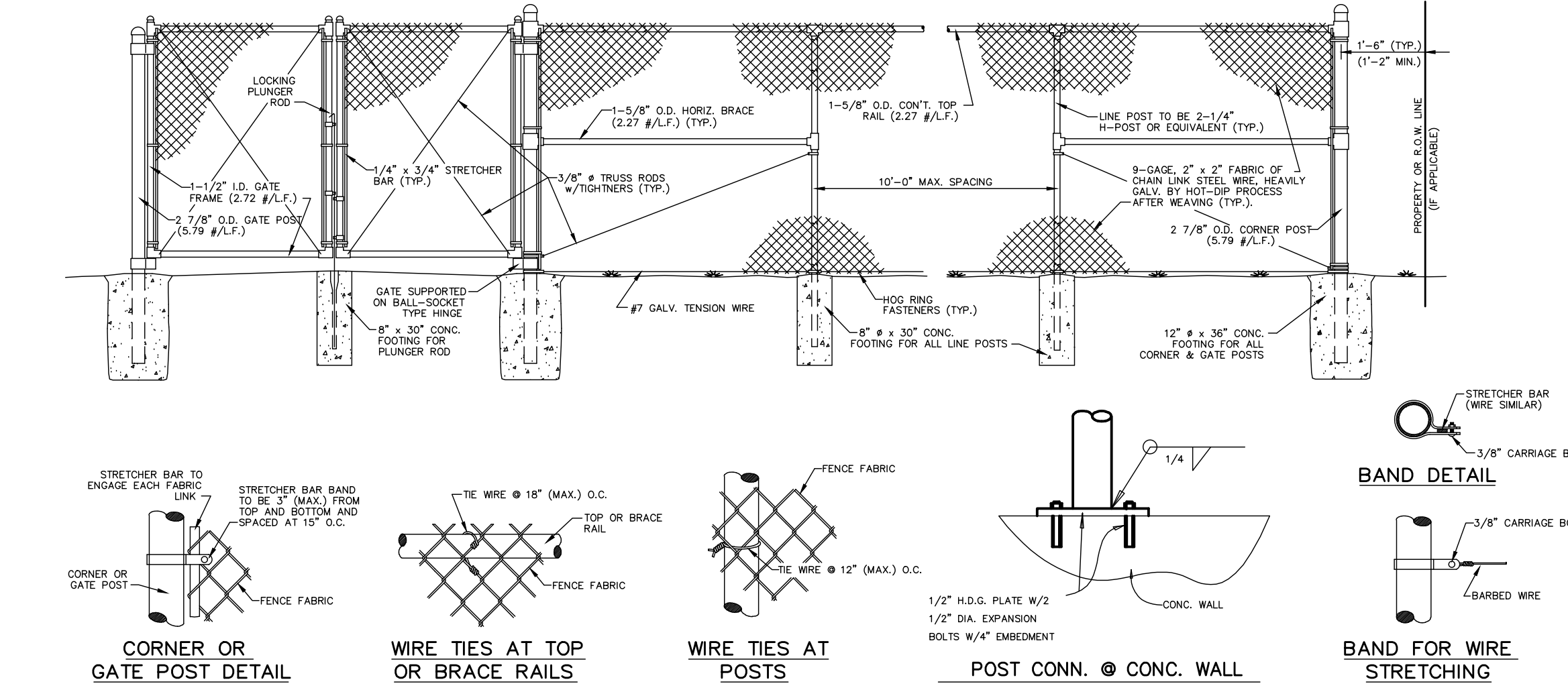
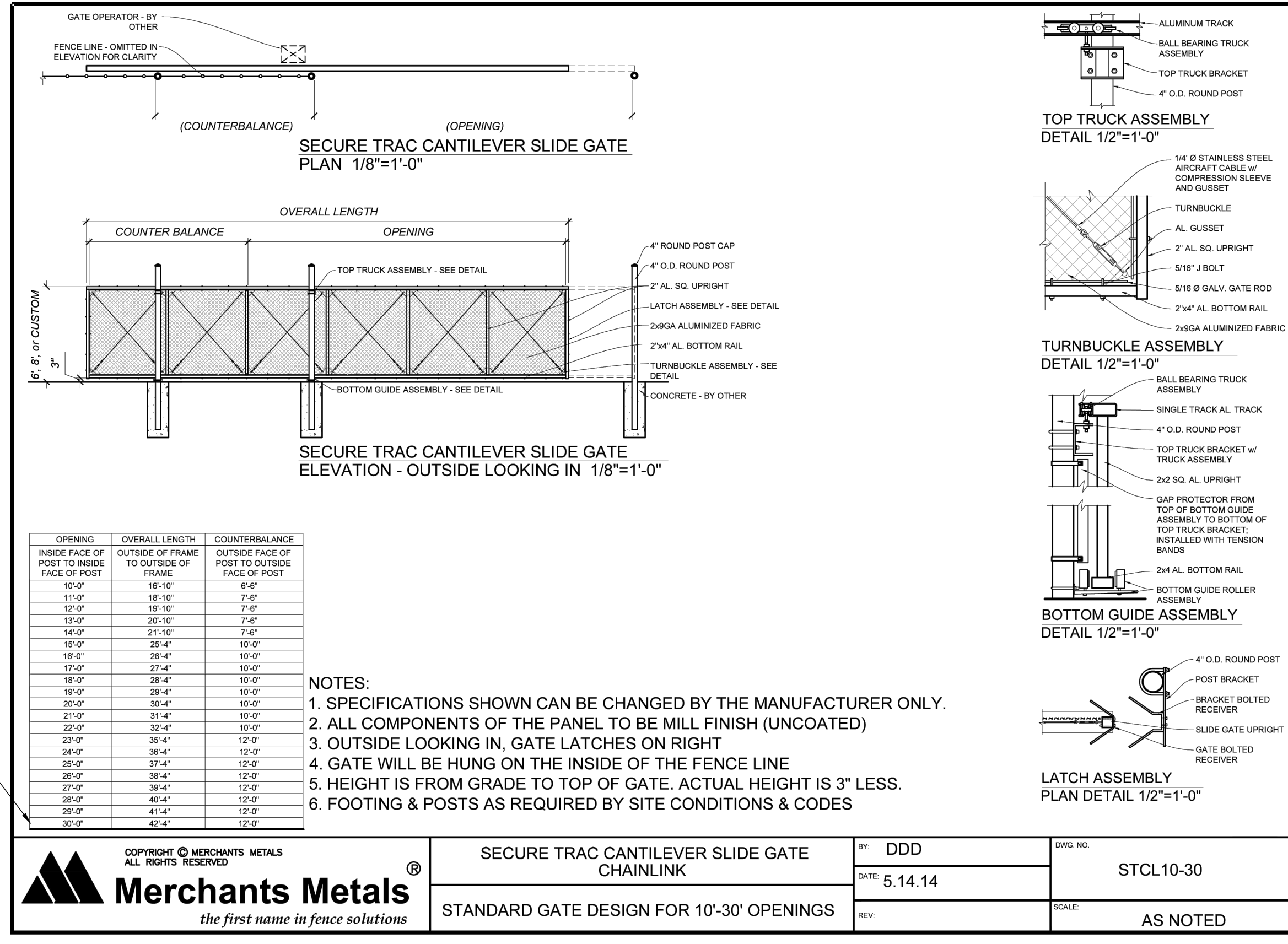
DETAILS

SDP SET	VOLUME 1
Job No. 1788-12-01	Sheet No. C14.00
Drawn By: ARB, JMC	
Date: 10.13.2023	

2024-SDP



THIS PROJECT



6' CHAIN LINK FENCE DETAILS

NOTE: A KNOX BOX LOCK WILL BE REQUIRED ON THE CANTILEVER FENCE GATE.

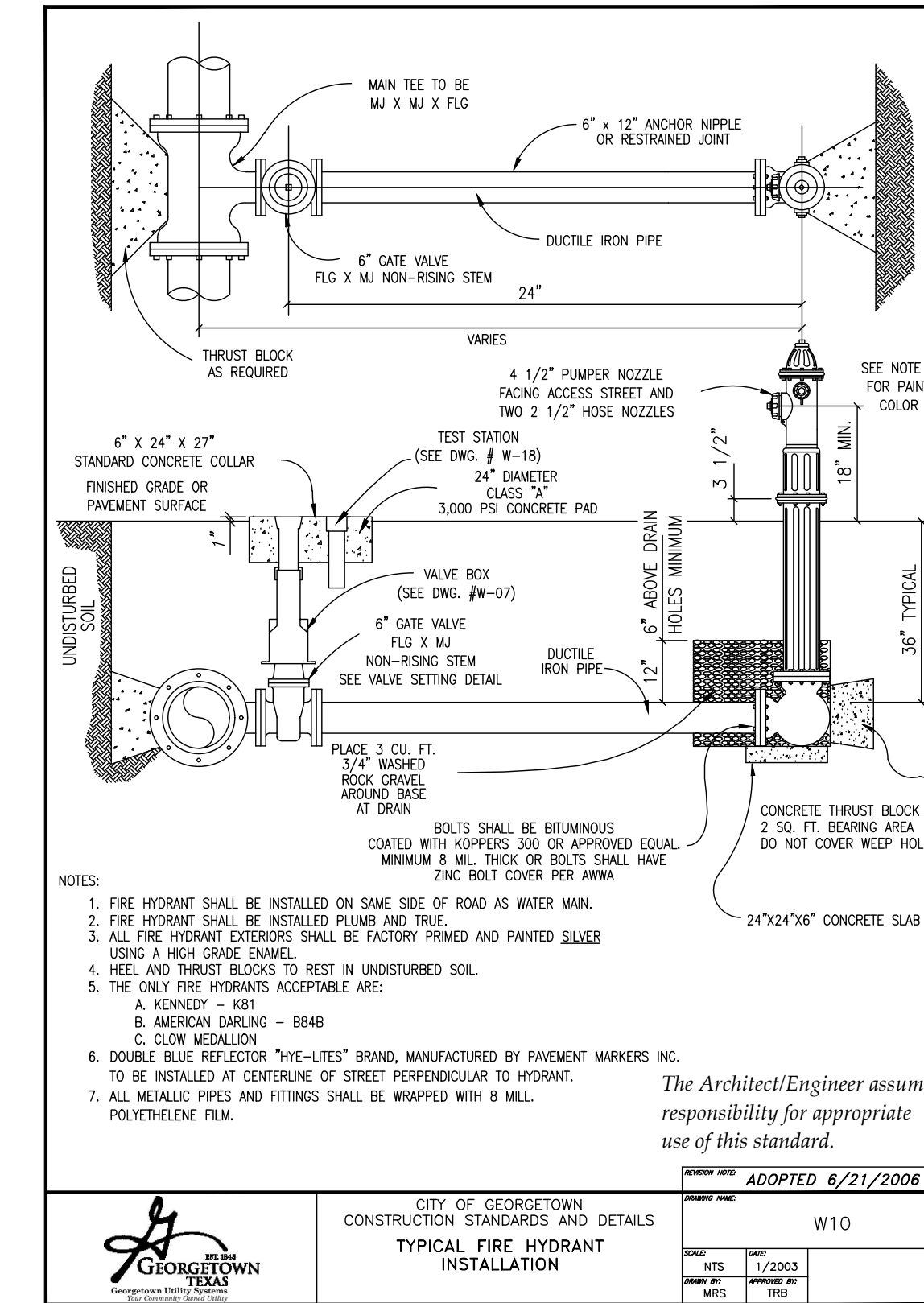
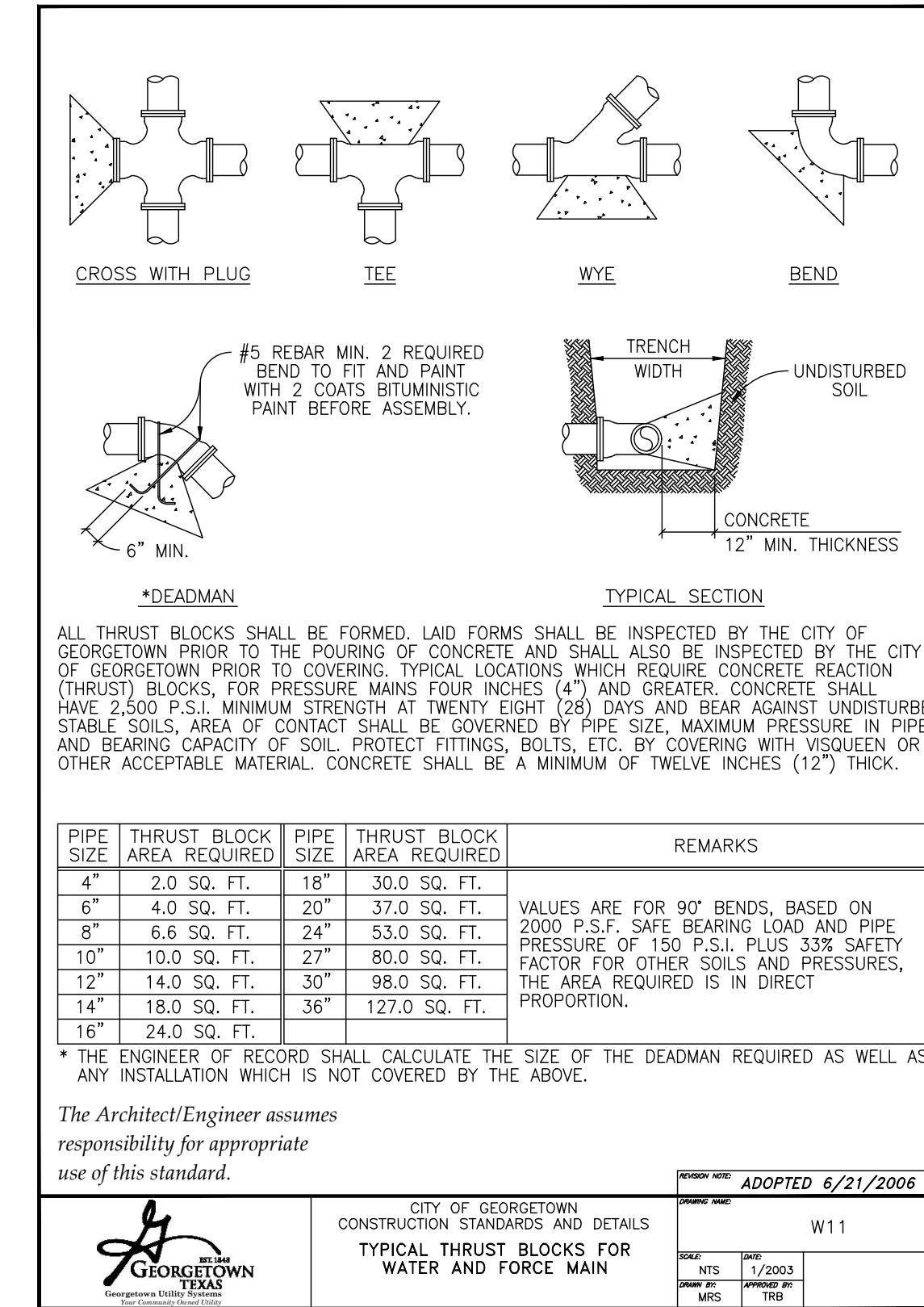
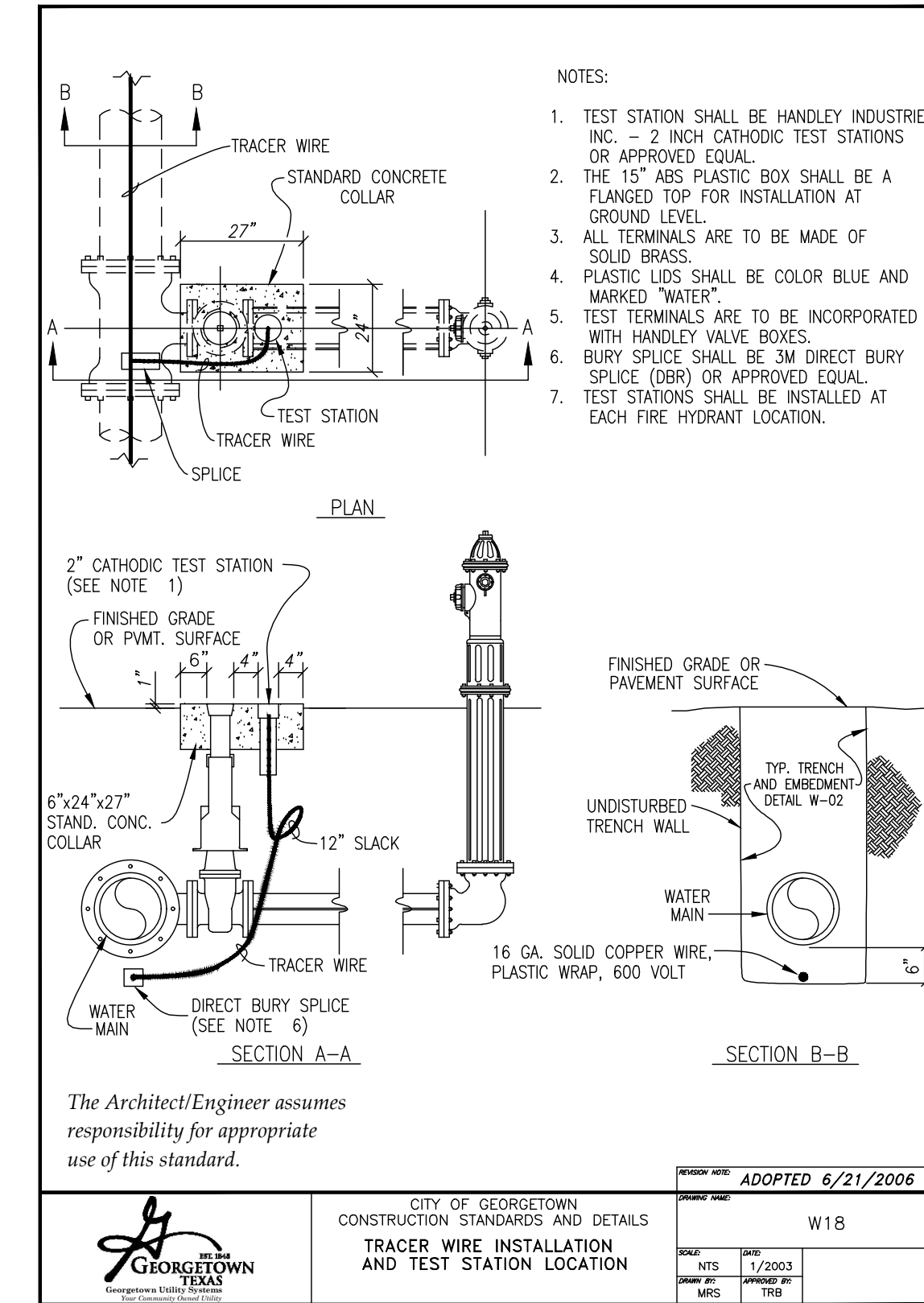
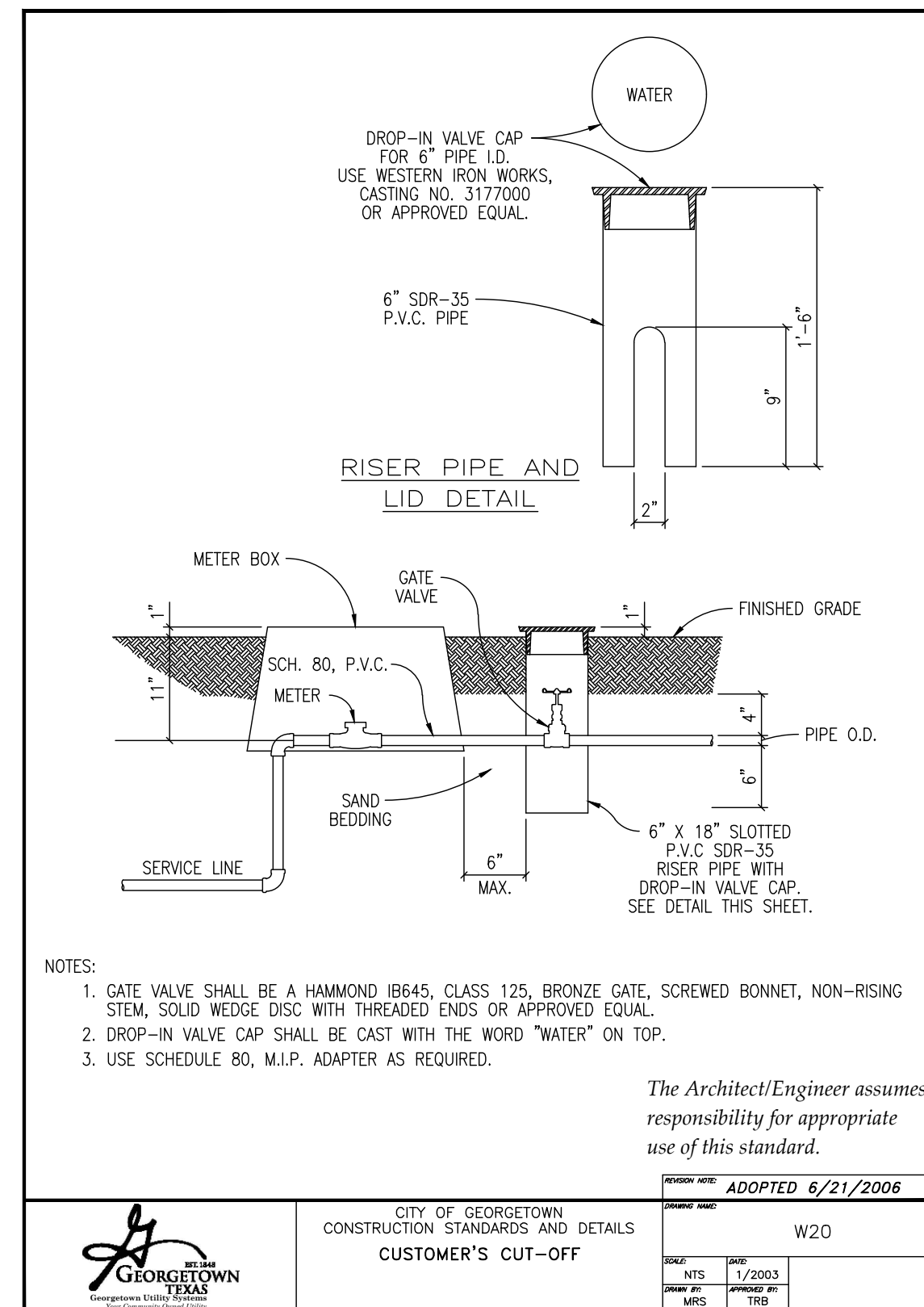
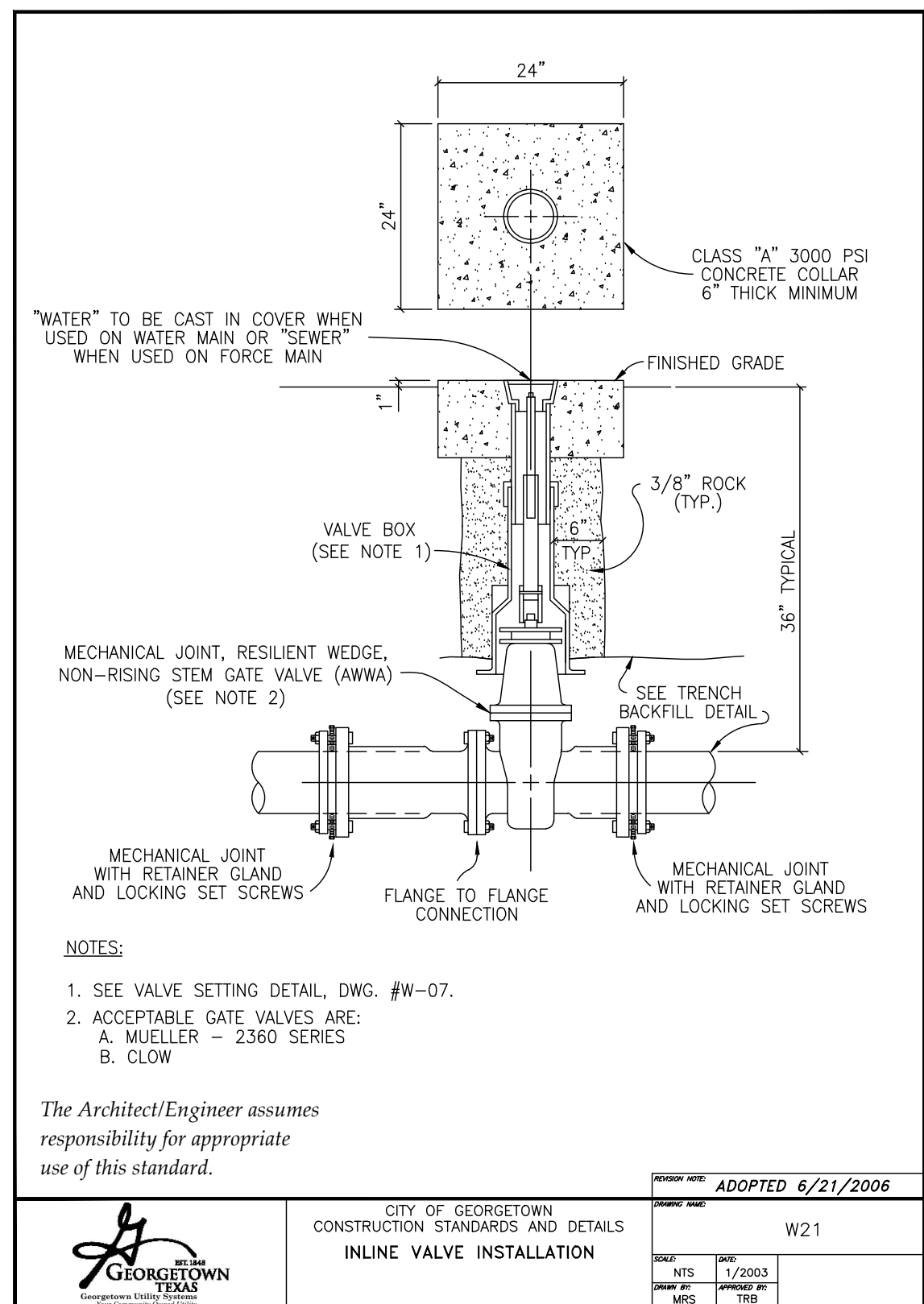
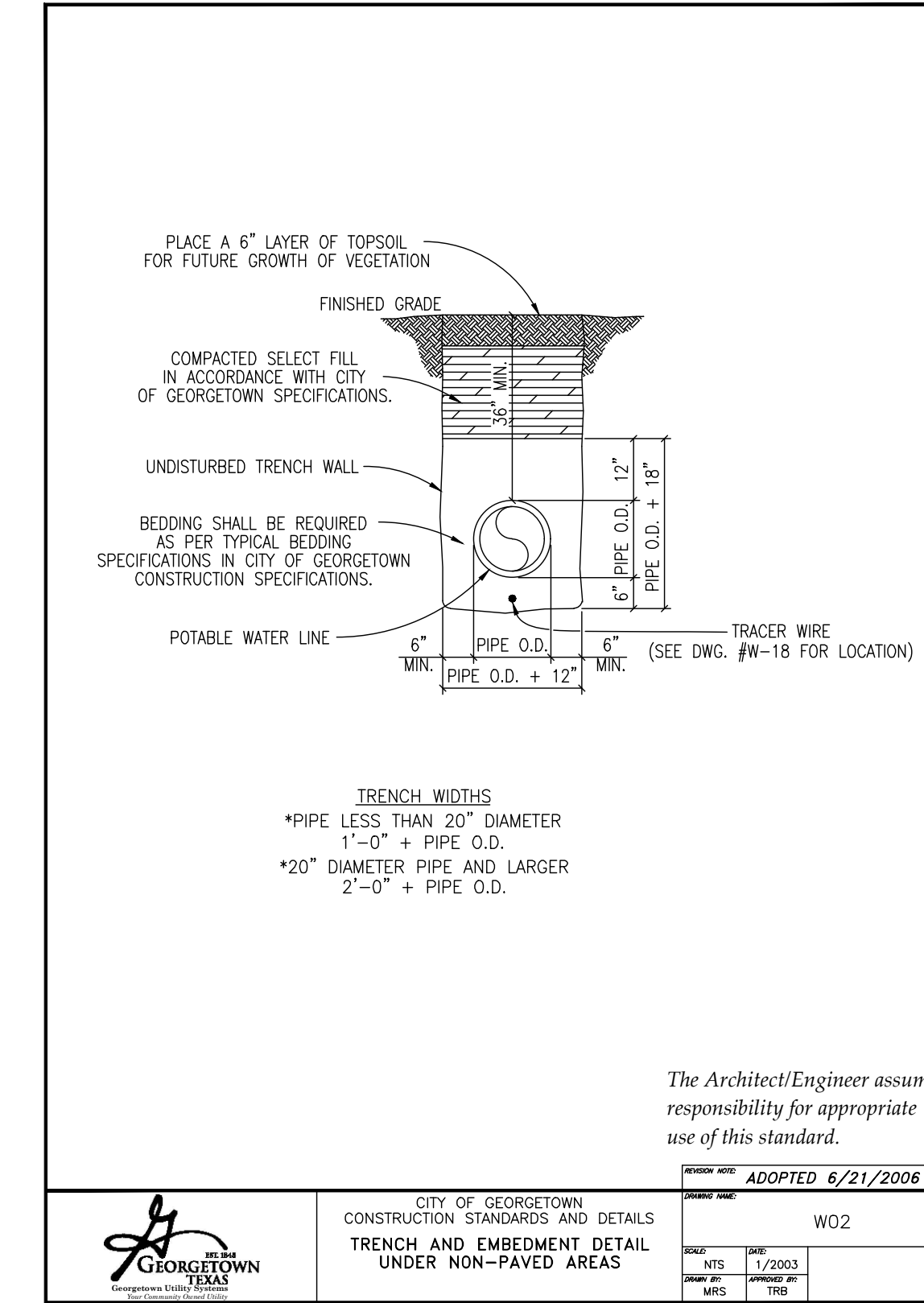
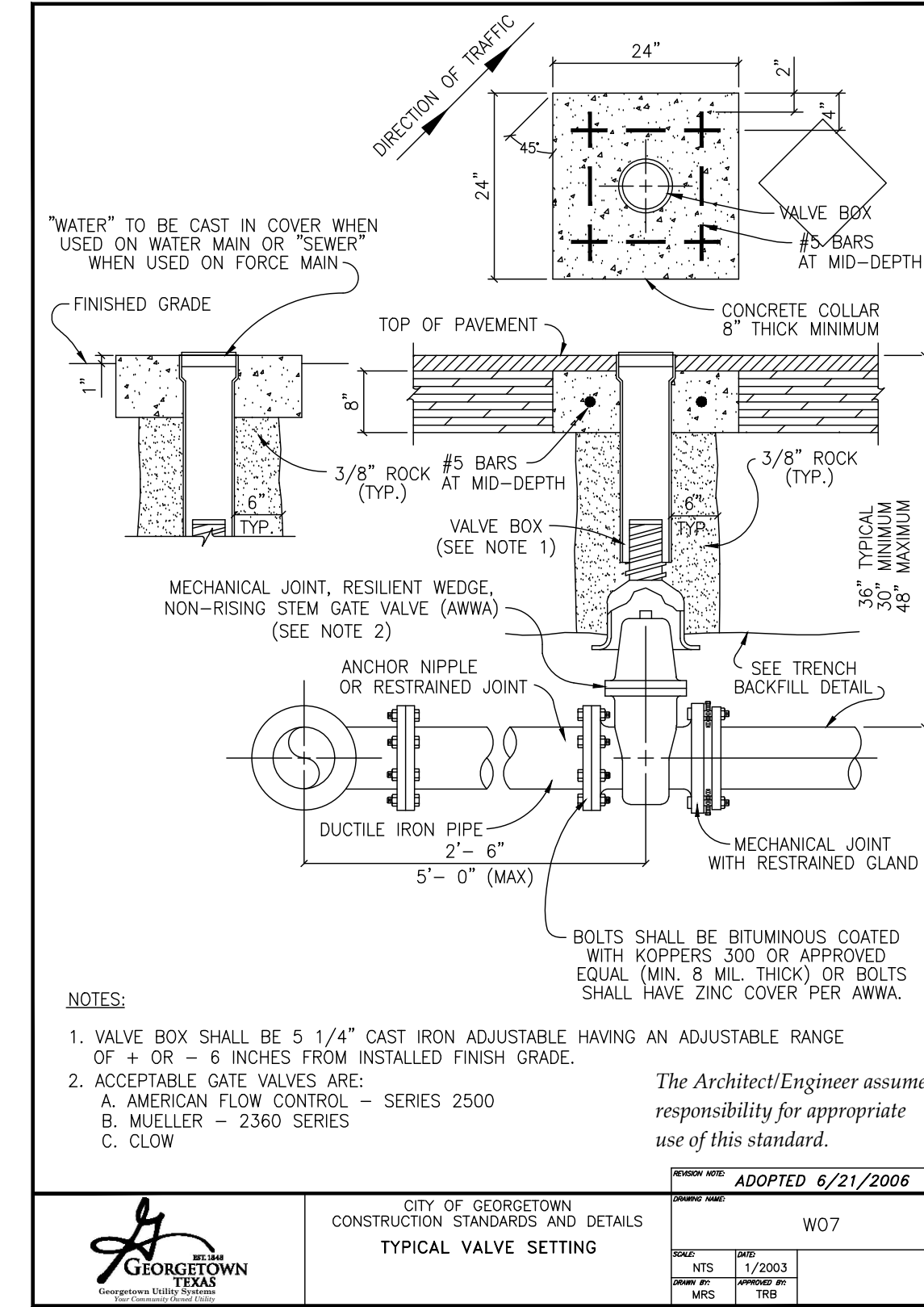
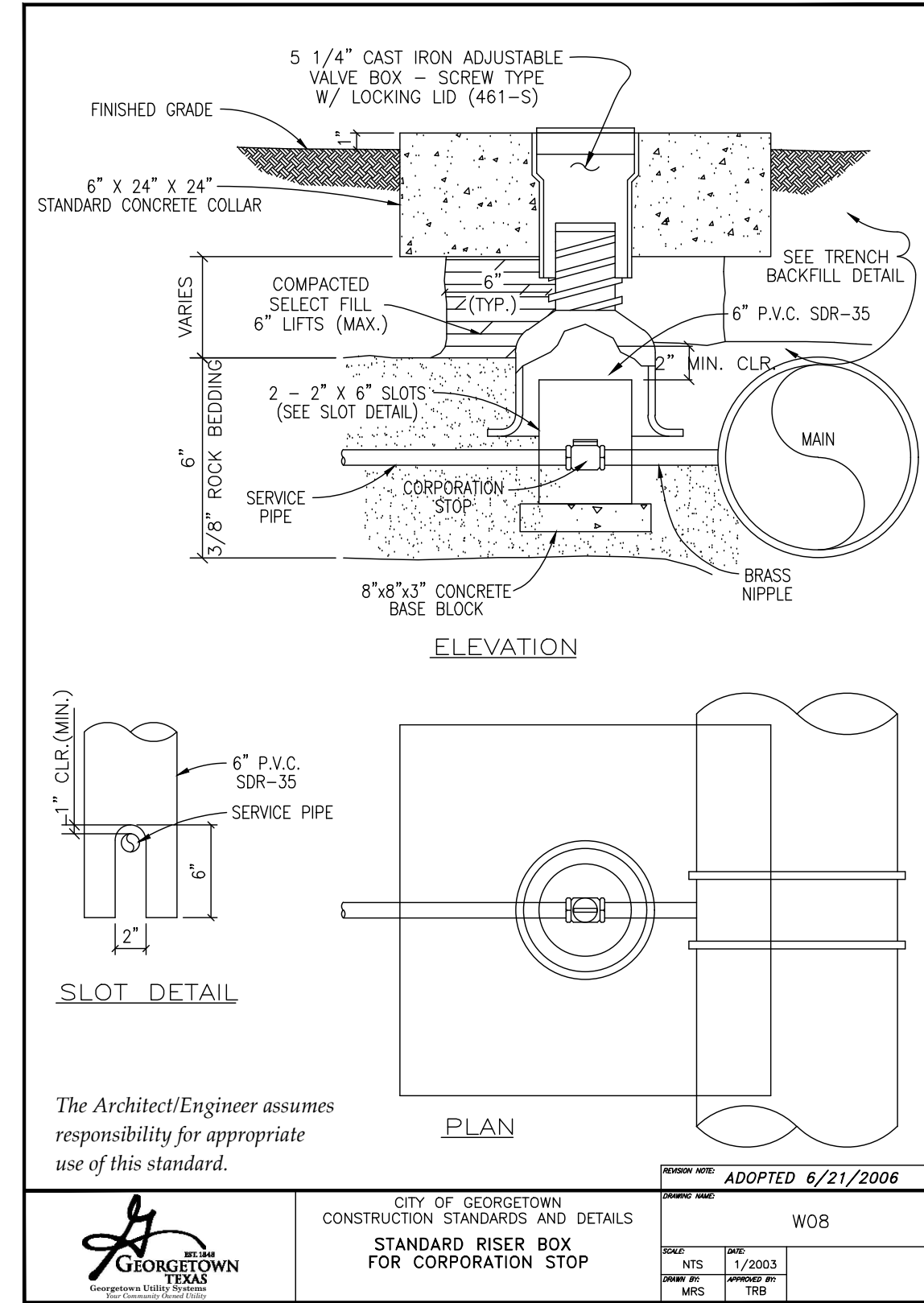
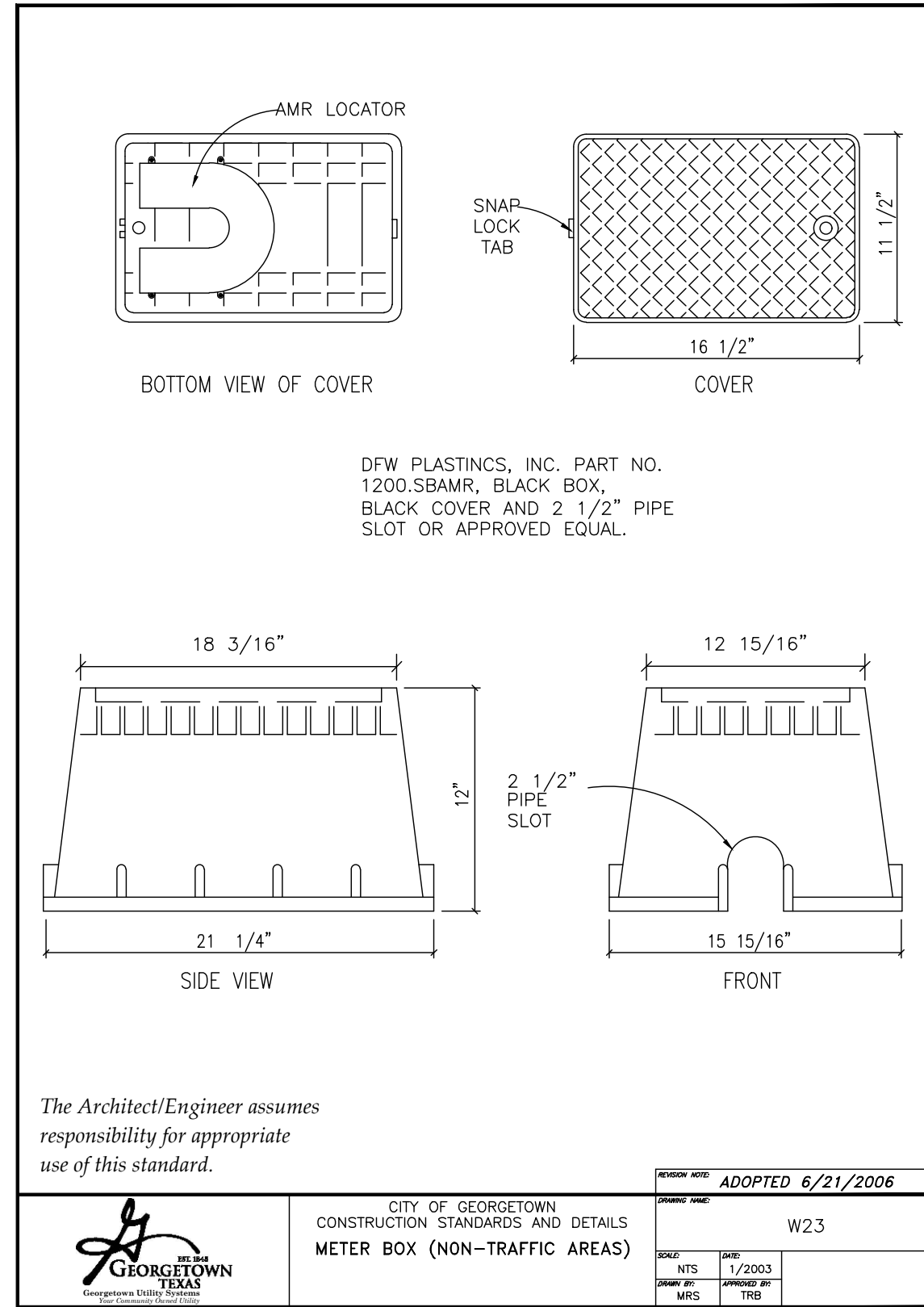
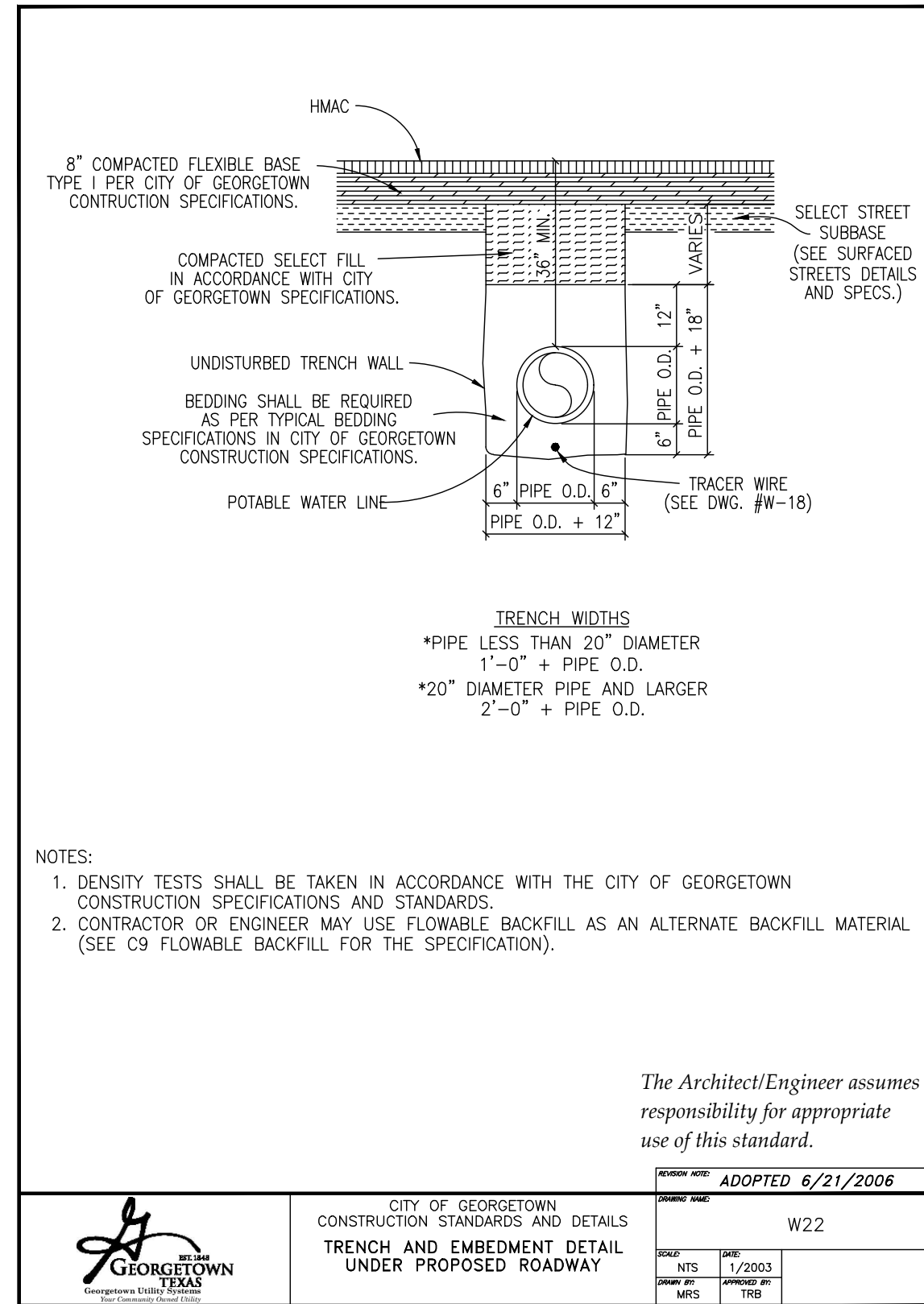
GEORGETOWN HIGH SCHOOL AG FACILITIES
FOR
GEORGETOWN I.S.D.
2299 N. AUSTIN AVE GEORGETOWN, TEXAS 78626

STEGER BIZZELL
1978 S. AUSTIN AVENUE
GEORGETOWN, TX 78626
512.930.9412 VOICE
512.930.9416 FAX
WWW.STEGERBIZZELL.COM
TX REG. ENG. FIRM - F181

STATE OF TEXAS
BRYAN ERIC MOORE
98920
LICENSED PROFESSIONAL ENGINEER
03/21/2024

Huckabee
AUSTIN • DALLAS • FORT WORTH • HOUSTON • WACO
www.huckabee-inc.com
800.867.0228

DETAILS (CONT)
SDP SET VOLUME 1
Job No. 1788-12-01 Sheet No. C15.00
Drawn By: ARB, JMC
Date: 10.13.2023
2024-SDP



Date

Revision/

Project: GEORGETOWN HIGH SCHOOL AG FACILITIES FOR GEORGETOWN I.S.D. 2299 N. AUSTIN AVE GEORGETOWN, TEXAS 78626

Project:

STEGER BIZZELL
1978 S. AUSTIN AVENUE
GEORGETOWN, TX 78626
512.930.9412 VOICE
512.930.9416 FAX
WWW.STEGERBIZZELL.COM
TX REG. ENG. FIRM - P181



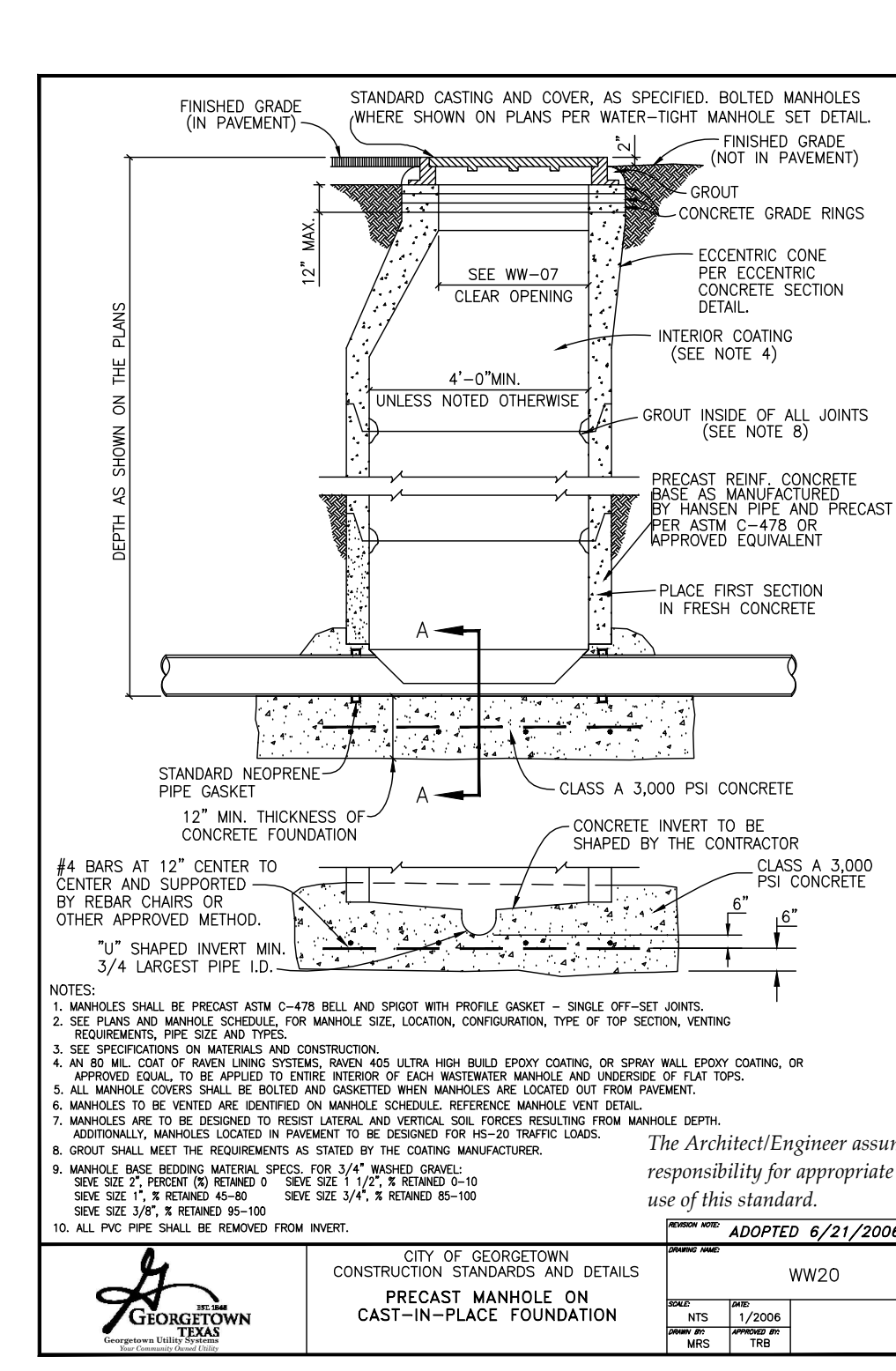
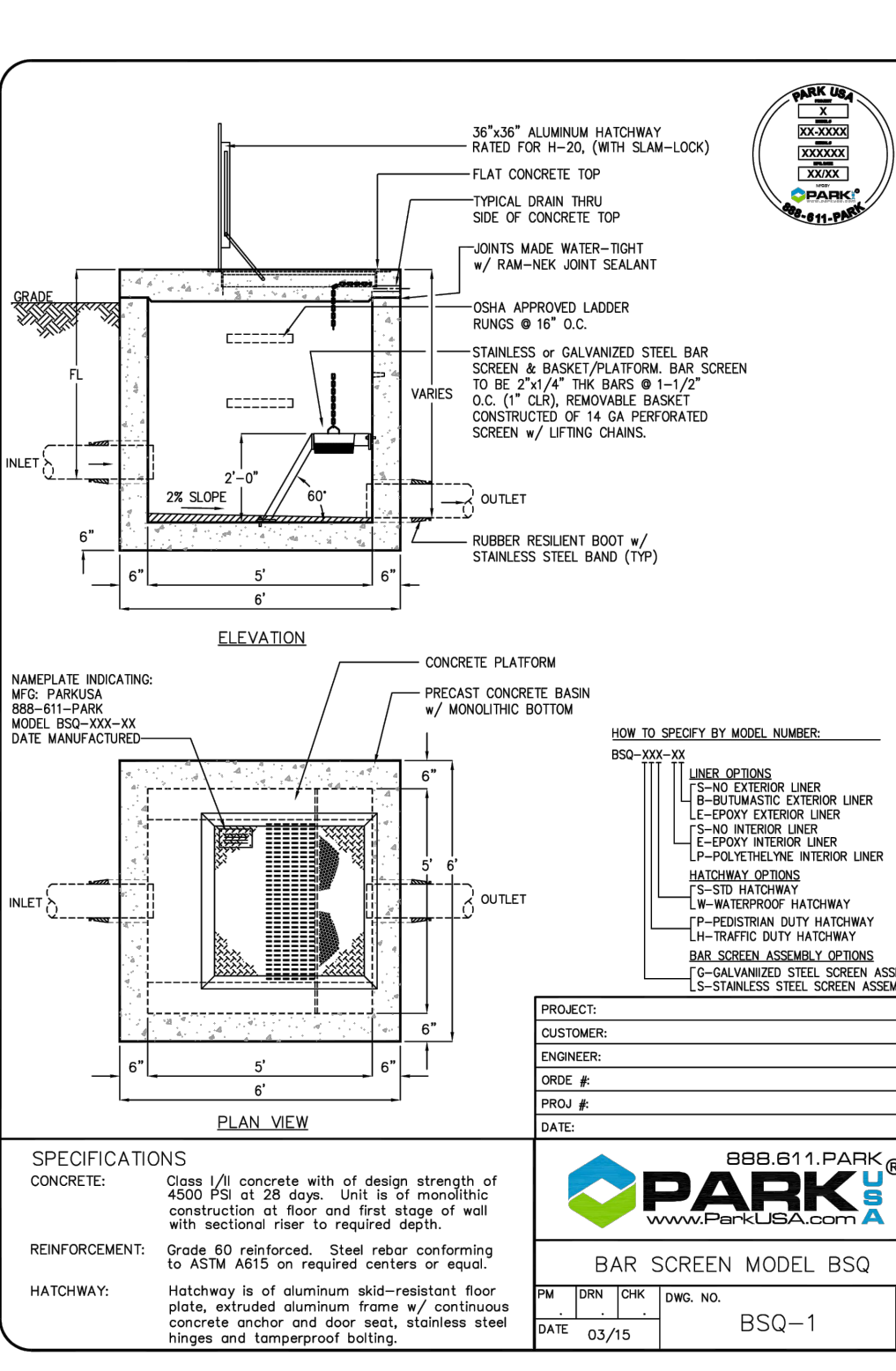
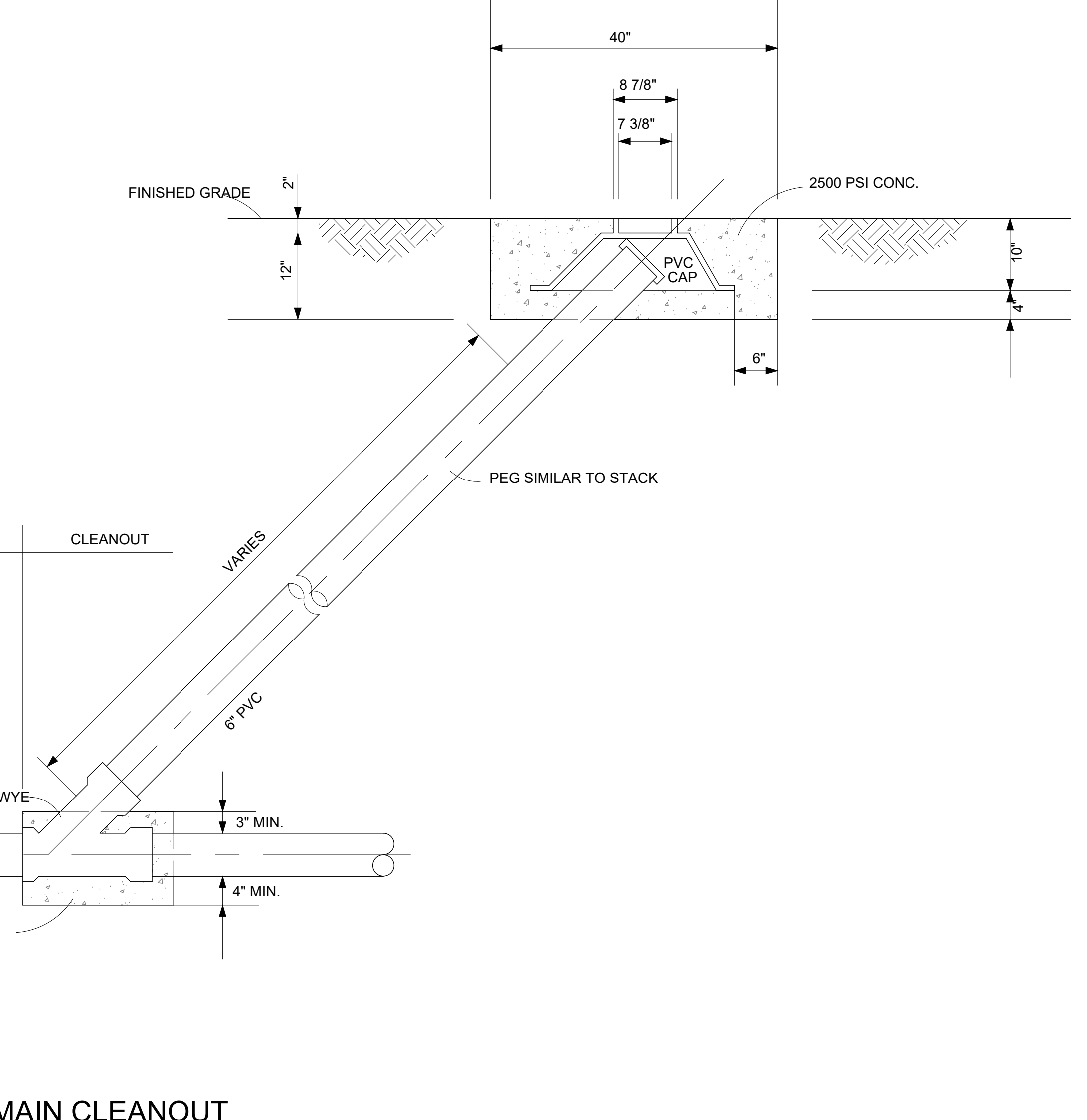
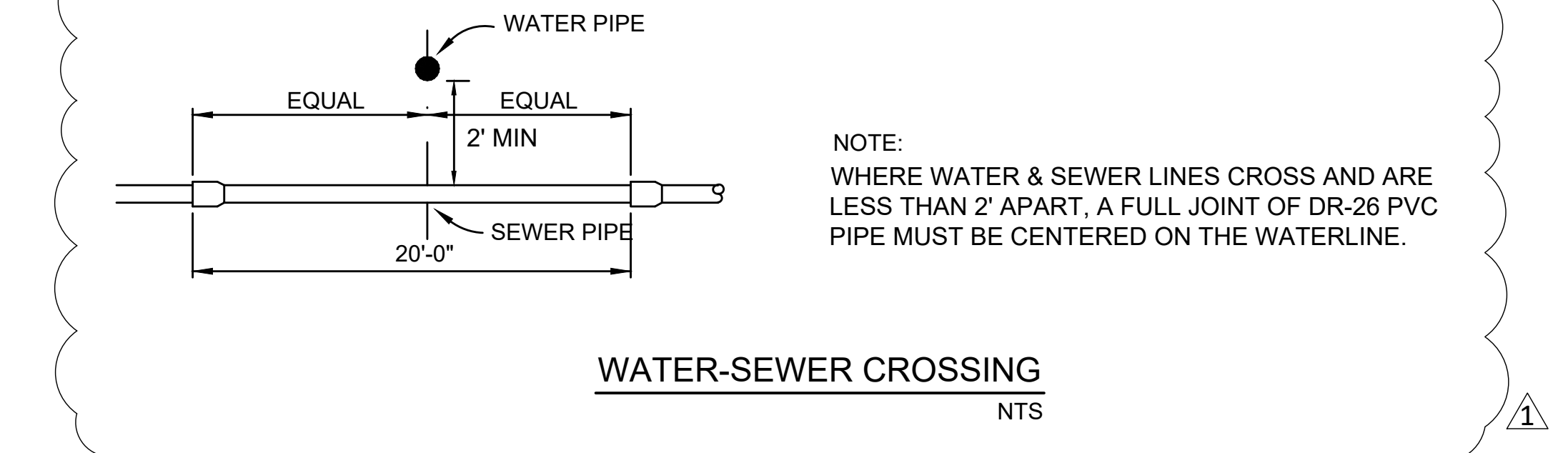
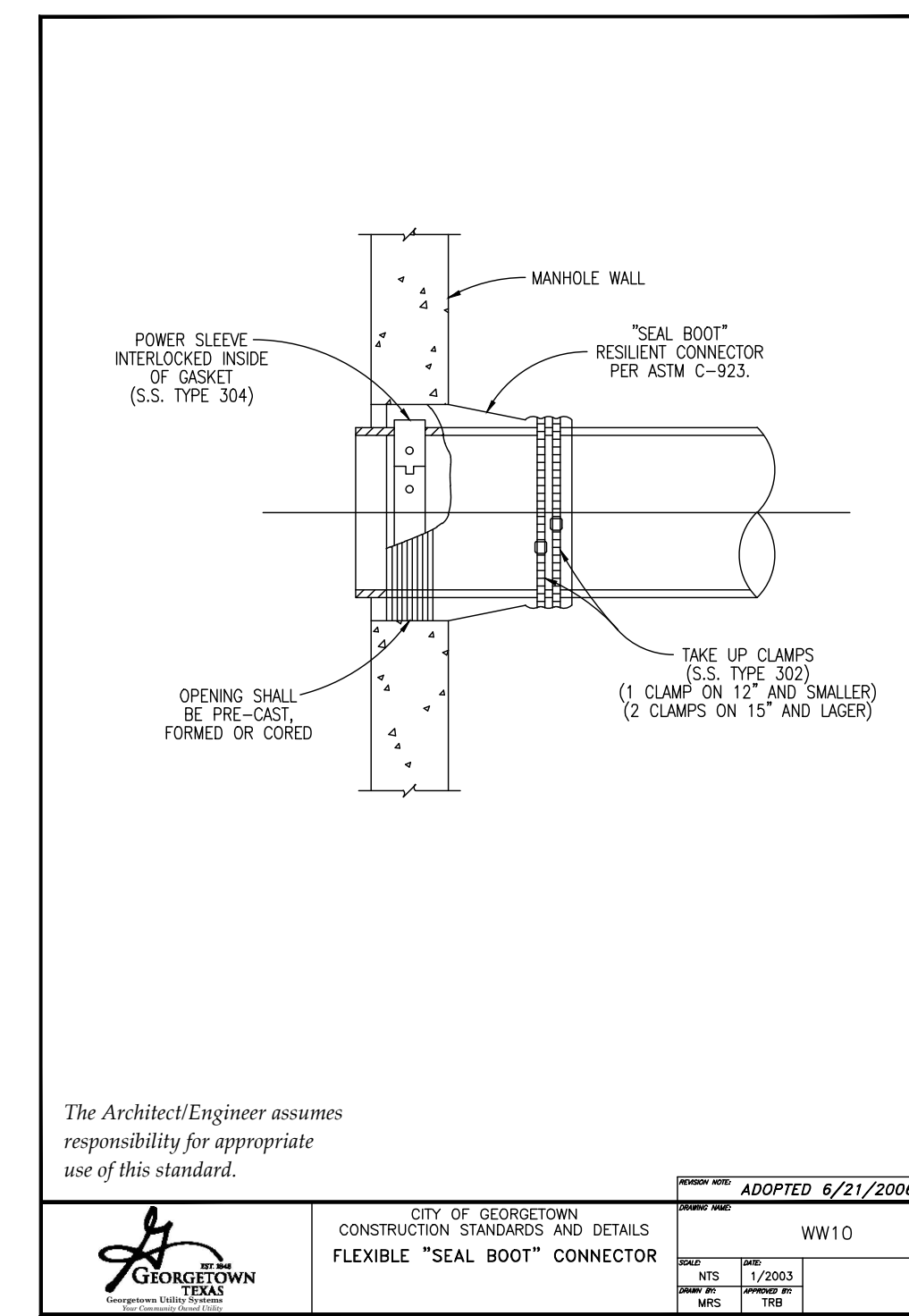
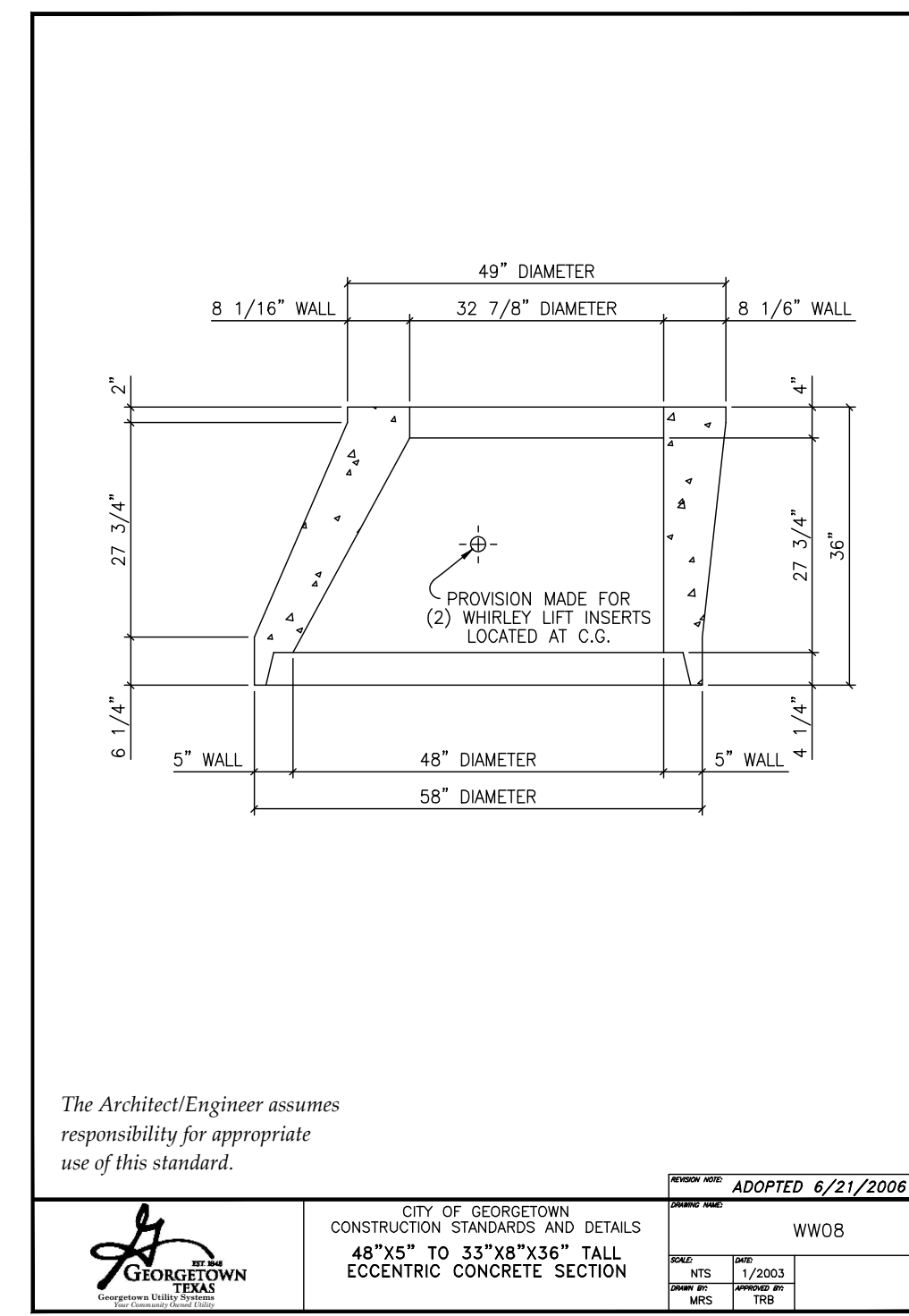
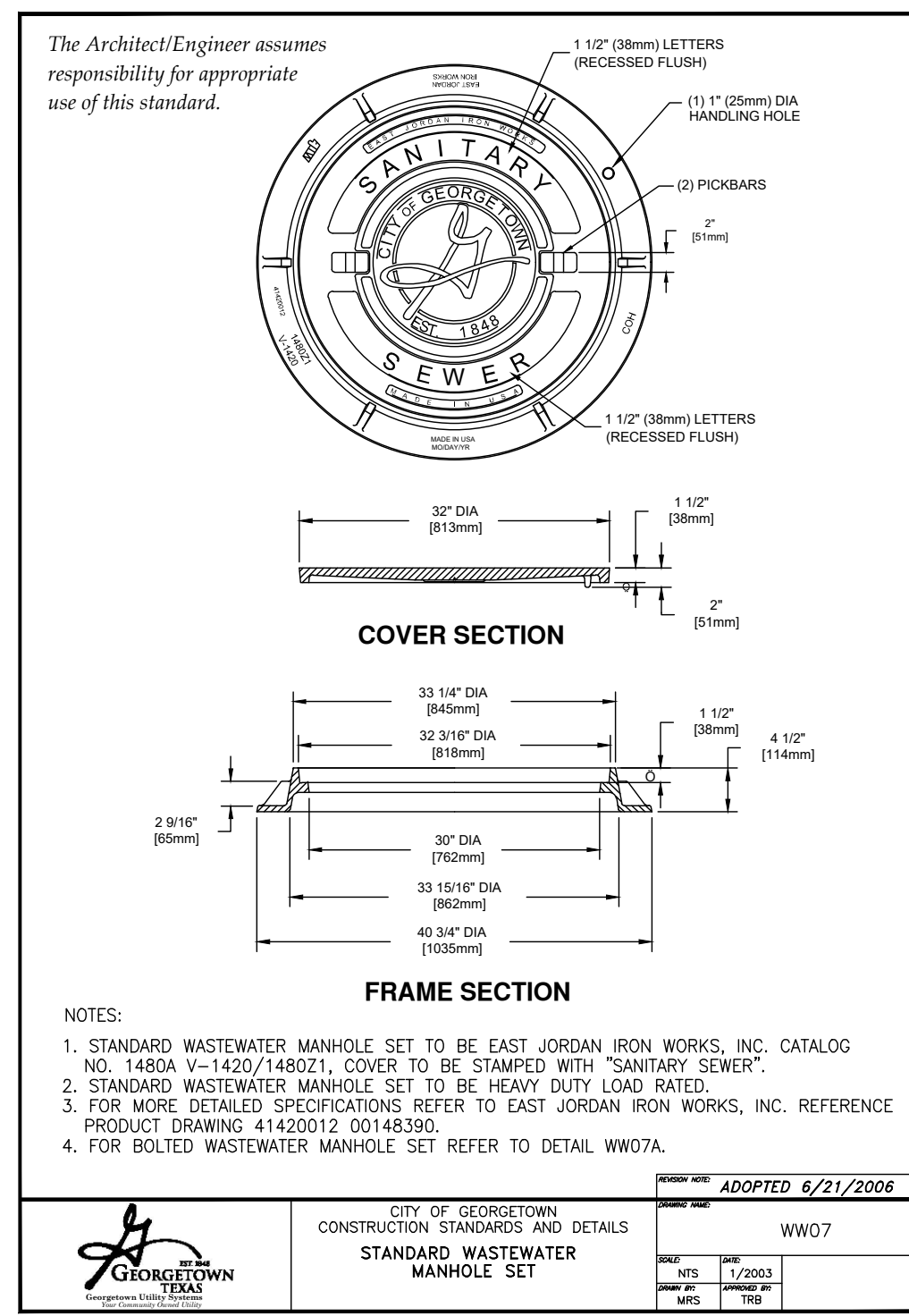
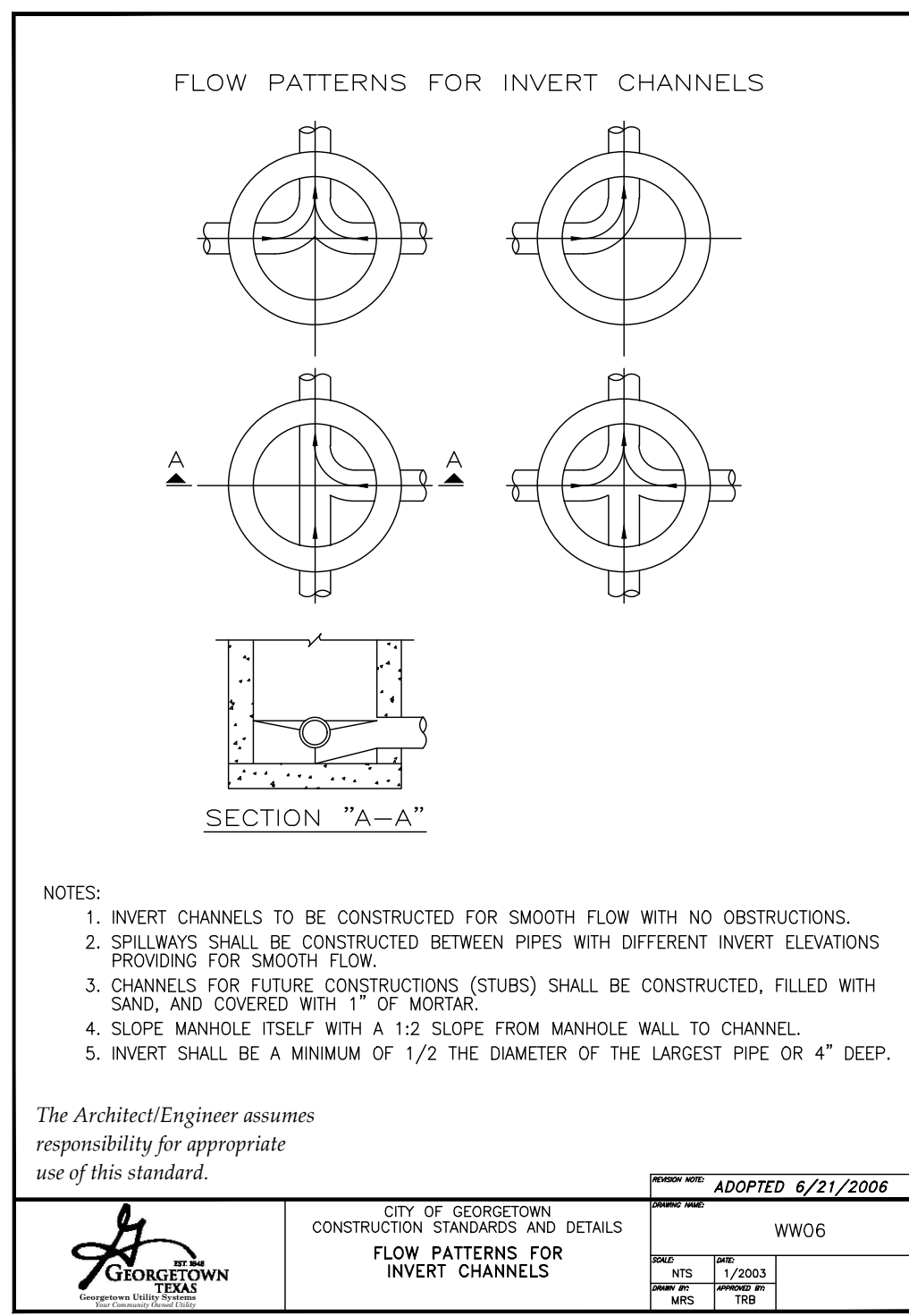
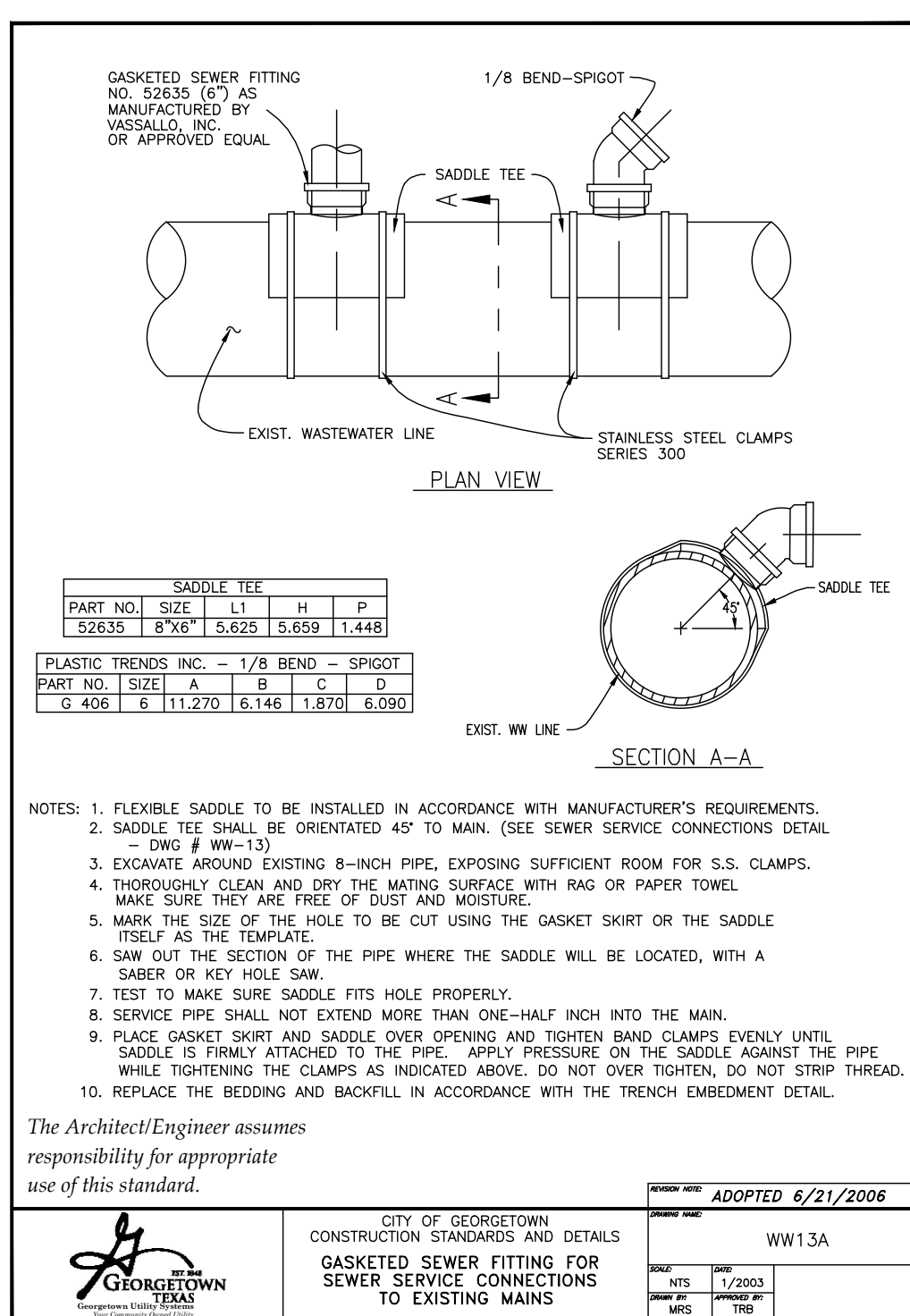
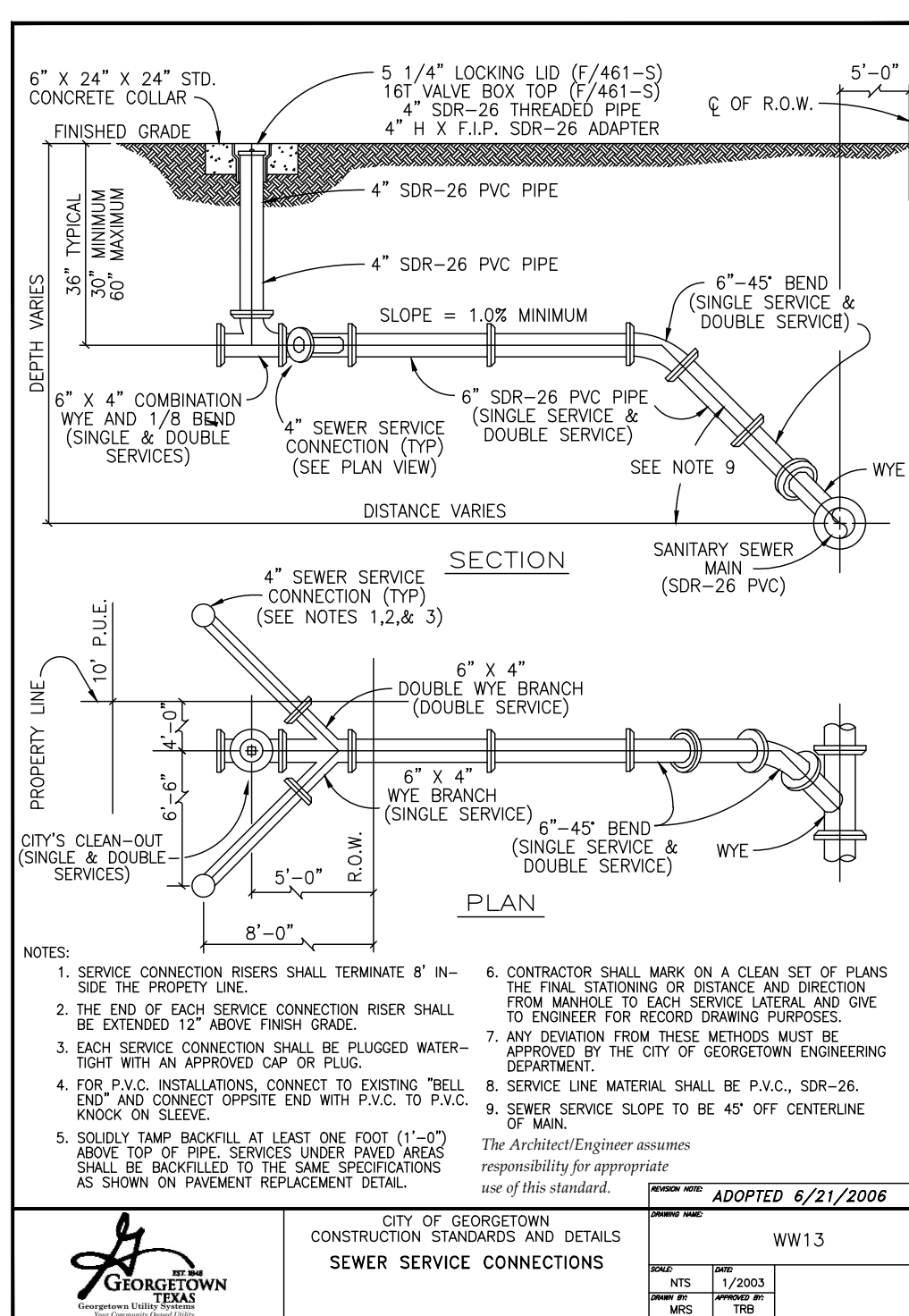
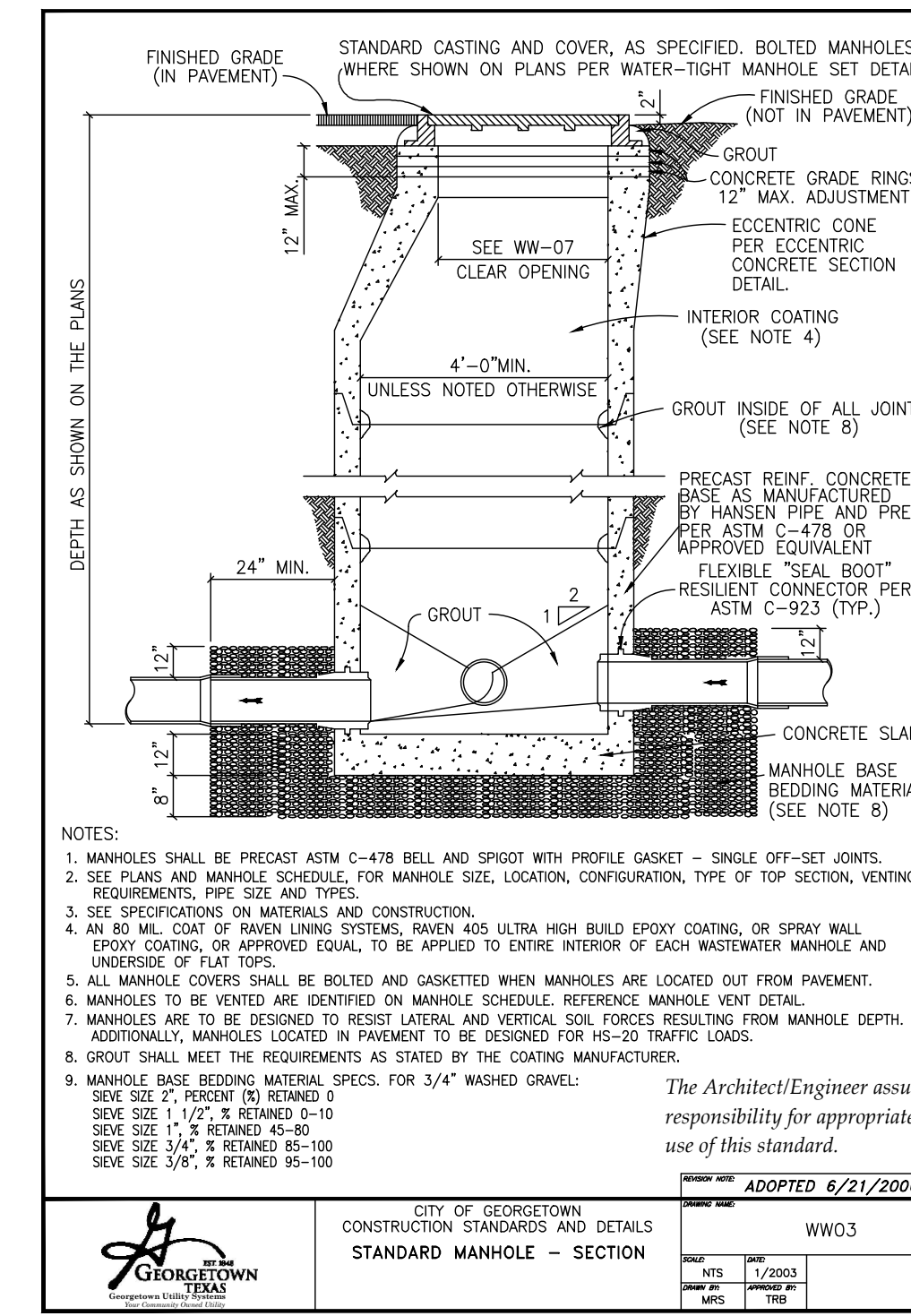
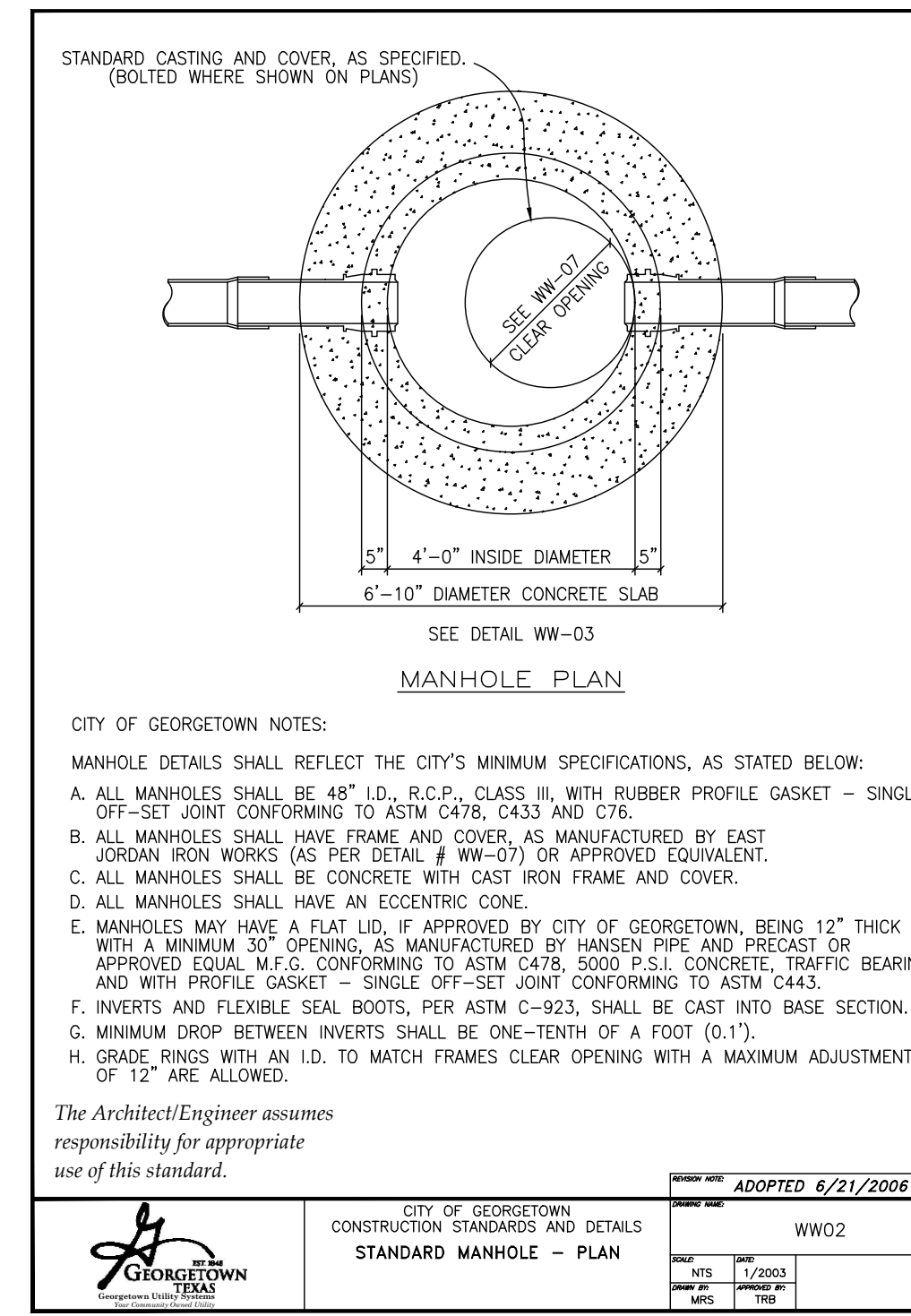
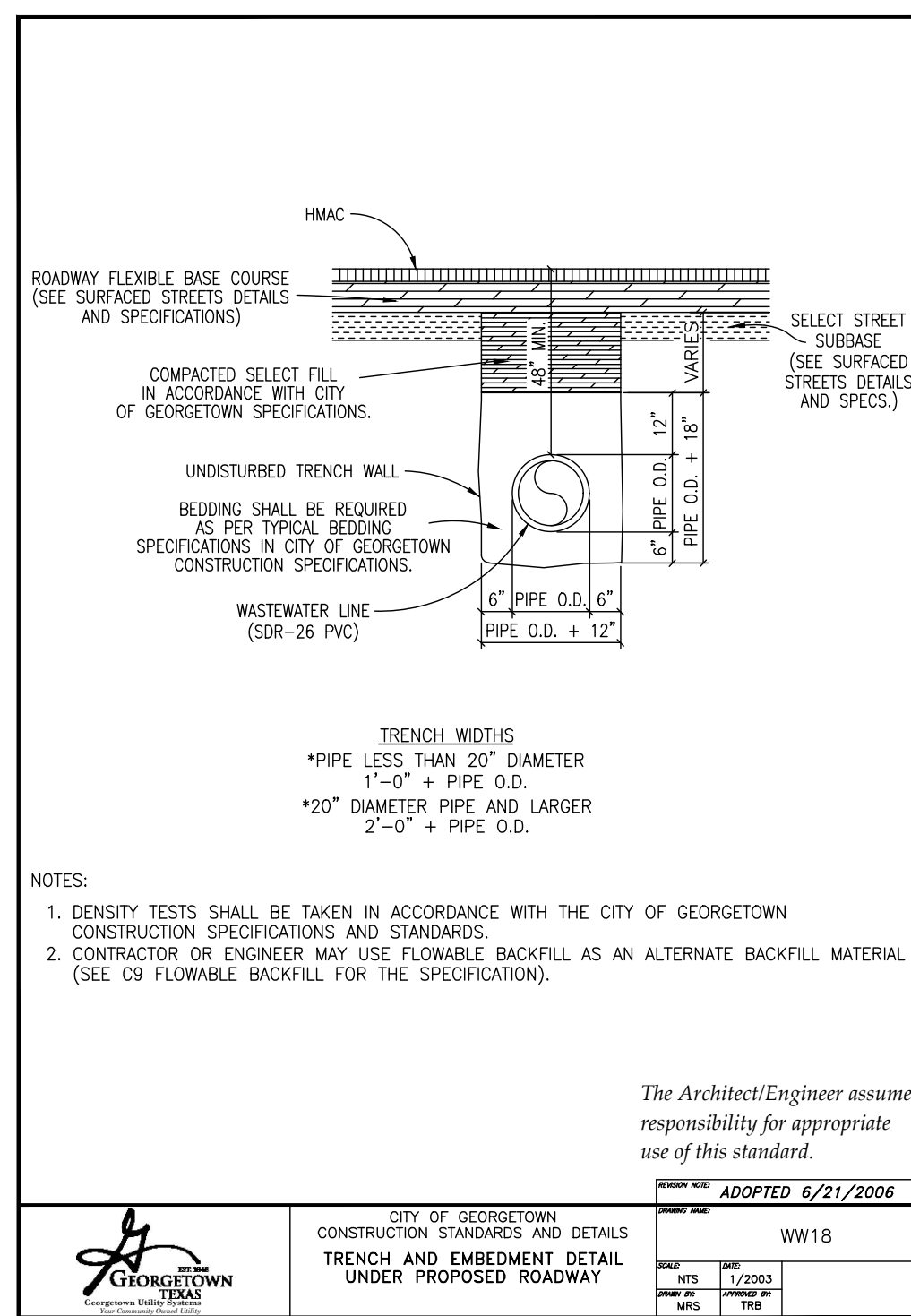
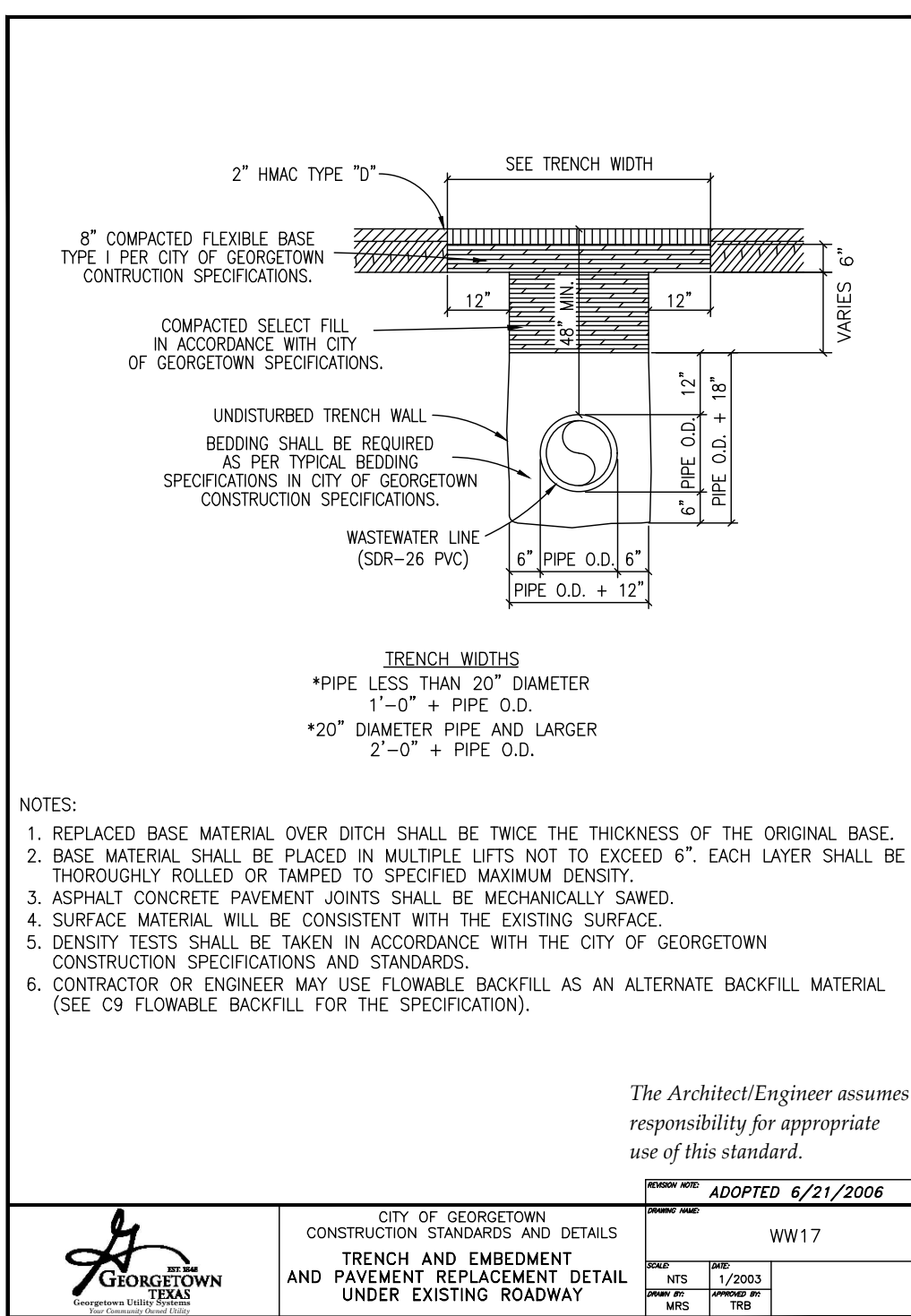
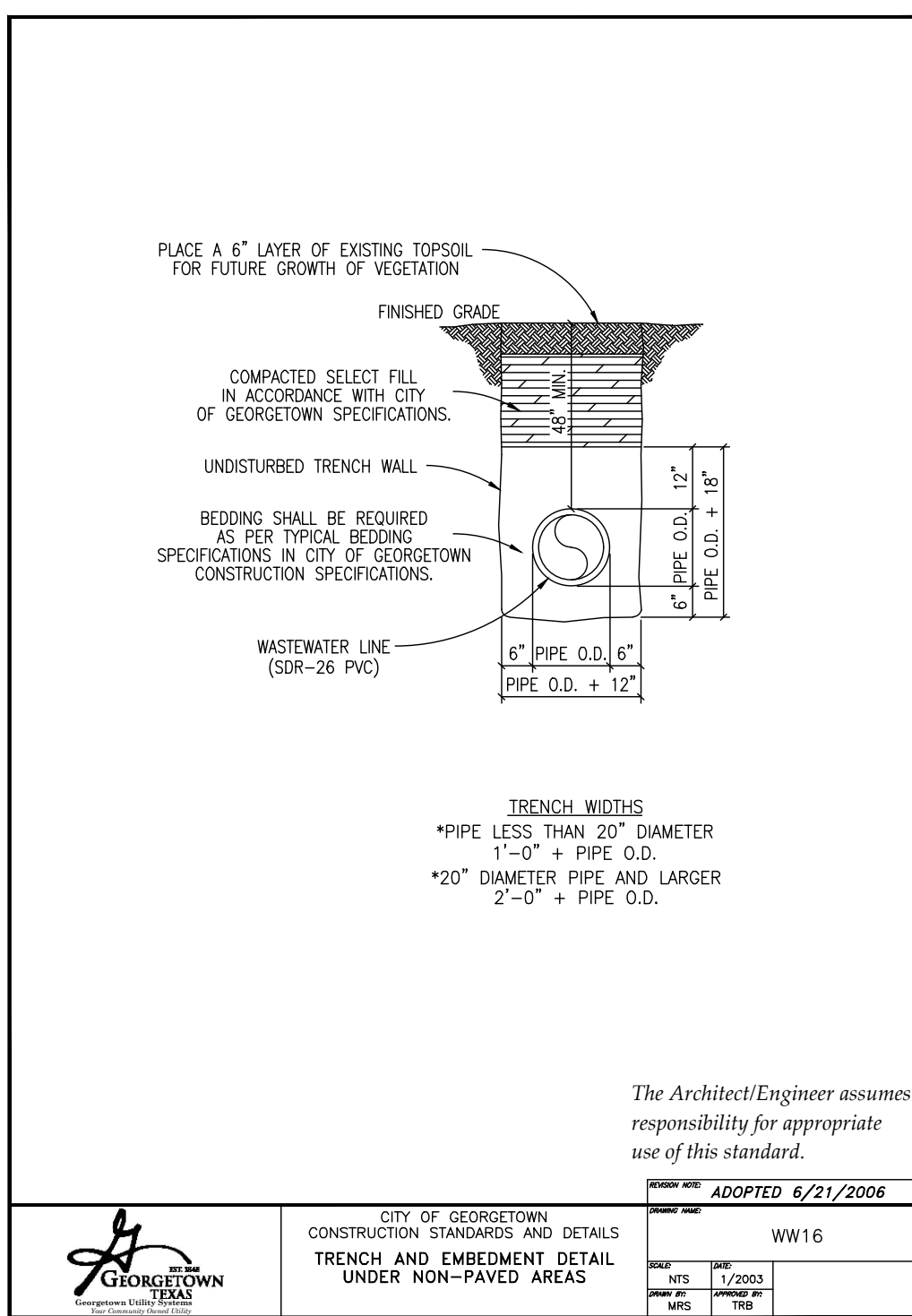
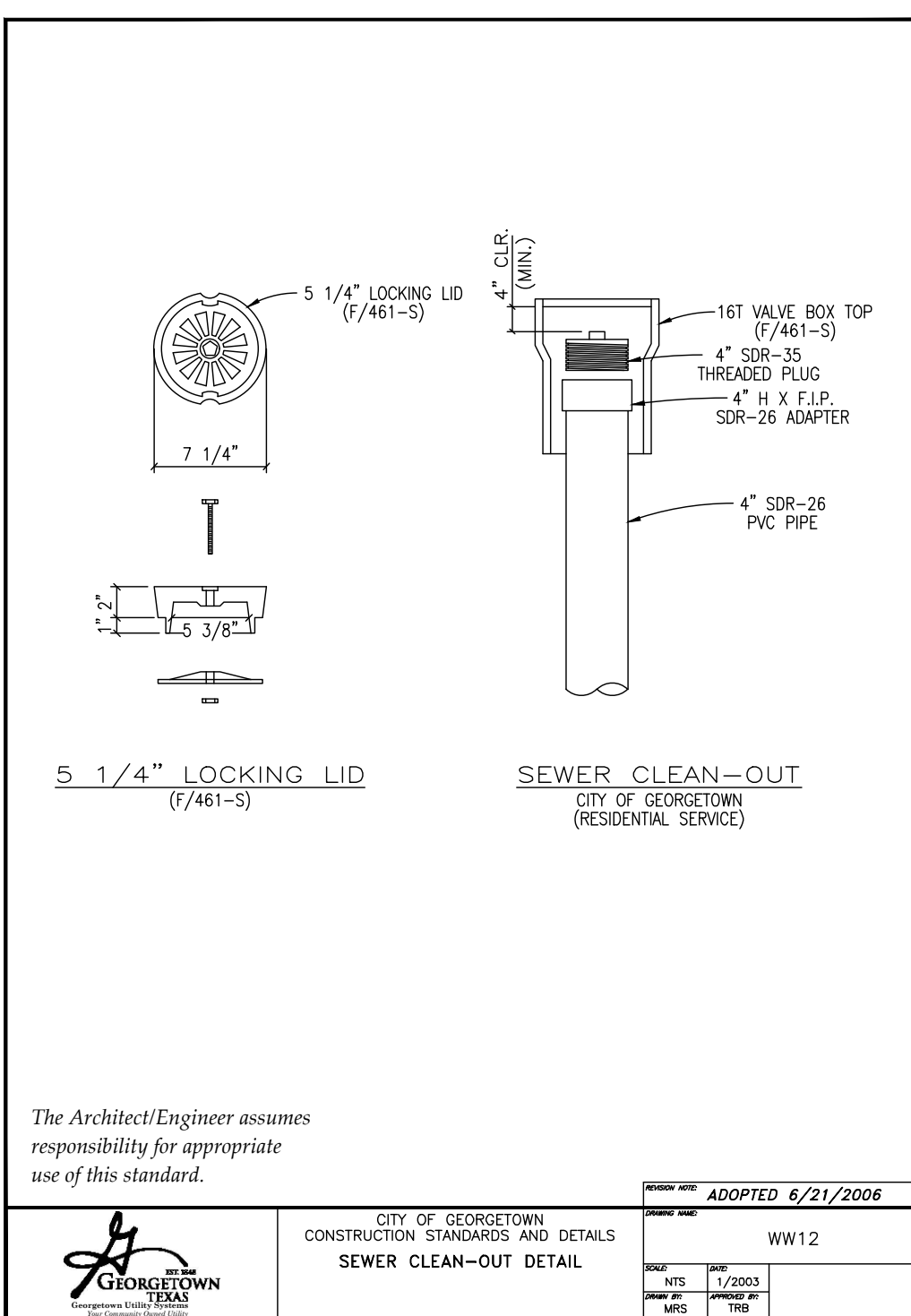
STEGER BIZZELL JOB # 22888

Huckabee
AUSTIN • DALLAS • FORT WORTH • HOUSTON • WACO
www.huckabee-inc.com
800.687.0228

WATER DETAILS

SDP SET VOLUME 1
Job No. 1788-12-01 Sheet No. C16.00
Drawn By: ARB, JMC
Date: 10.13.2023

2024-SDP



Revision / 02/27/24

Project: GEORGETOWN HIGH SCHOOL AG FACILITIES

FOR

GEORGETOWN I.S.D.

2299 N. AUSTIN AVE GEORGETOWN, TEXAS 78626

STEGER BIZZELL JOB # 22888

1978 S. AUSTIN AVENUE GEORGETOWN, TX 78626

512.930.9412 VOICE 512.930.9416 FAX WWW.STEGERBIZZELL.COM TX REG. ENG. FIRM - F181

STATE OF TEXAS BRYAN ERIC MOORE 98920 PROFESSIONAL ENGINEER LICENSE NO. 93121/2024

Huckabee AUSTIN • DALLAS • FORT WORTH • HOUSTON • WACO www.huckabee-inc.com 800.687.0228

SDP SET VOLUME 1 Job No. 1788-12-01 Sheet No. C17.00 Drawn By: ARB, JMC Date: 10.13.2023 2024-SDP

PRIVATE FIRE HYDRANT MAINTENANCE

LA-507.5.7 City of Georgetown Fire Hydrant Color Code System. Private fire hydrant maintenance shall be in accordance with NFPA 291.

A. All private hydrant barrels will be painted red with the bonnet painted using the hydrant flow standard in Paragraph C of this Section to indicate flow. It will be the customer's responsibility to test and maintain their private fire hydrant(s).

B. All private fire hydrants should be annually and shall be color coded to indicate the expected fire flow from the hydrant during normal operation. Such color applied to the fire hydrant by painting the bonnet the appropriate color for the expected flow condition.

C. Hydrant Flow Coding Standards
 FLOW COLOR
 >1500 GPM BLUE
 1000 to 1500 GPM GREEN
 500 to 999 GPM ORANGE
 <500 GPM RED
 Not working BLACK OR BAGGED

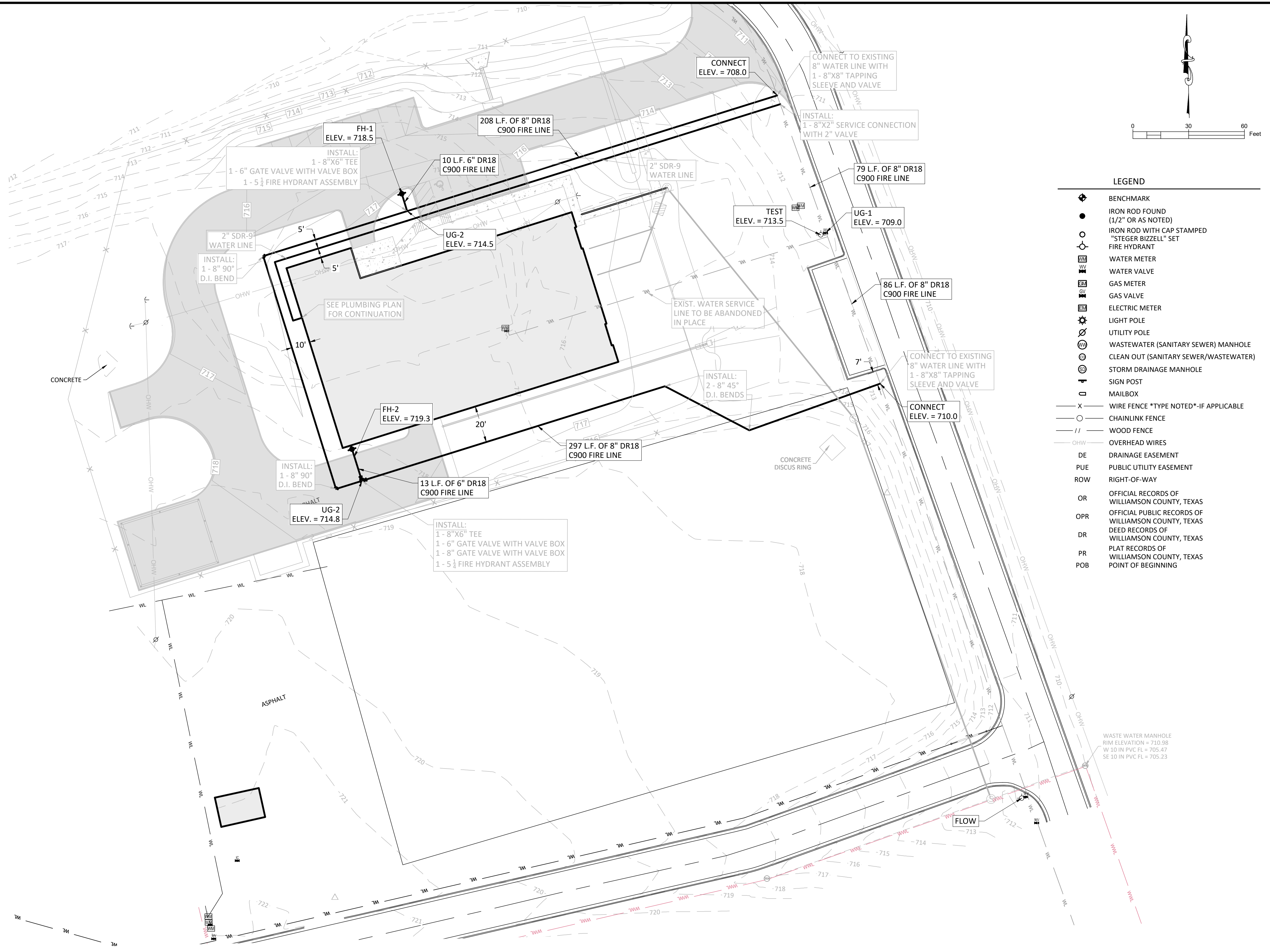
D. At the conclusion of construction fire hydrants shall be flow tested and color coded in accordance with city's standards, and results shall be emailed to the fire department. IFC-LA-507.5.7 Fire Hydrant System

FIRE PROTECTION NOTES

- Approval of this site plan does not imply approval to install underground fire lines. Prior to installation of underground fire lines, a separate permit shall be submitted, Under Ground Fire Line Supply.
- Backflow protection will be provided in accordance with The City of Georgetown requirements when required. Backflow protection will be installed in accordance with the detail provided in the utility drawings.
- All private fire lines and what they provide service to will be installed in accordance with NFPA 24 Installation of Private Service Mains and Their Appurtenances.
- All tees, plugs, caps, bends, reducers, valves shall be restrained against movement. Thrust blocking and joint restrained will be installed in accordance with NFPA 24.
- All underground shall remain uncovered until a visual inspection is conducted by The Georgetown Fire Marshal's Office (FMO). All joint restraints and thrust blocking shall be uncovered for visual inspection.
- All underground shall be flushed per the requirements of NFPA Standard 24 and witnessed by Georgetown FMO.
- All underground shall pass a hydrostatic test witnessed by Georgetown FMO. All joints shall be uncovered for hydrostatic testing. All piping and attachments subjected to system working pressure shall be tested at 200 psi, or 50 psi in excess of the system working pressure, whichever is greater, and shall maintain that pressure + or - 5 psi for 2 hours.
- Fences, landscaping and other items will not be installed within 3 Ft. and where they will obstruct the visibility or access to hydrants, or remote FDCs.
- License requirements of either RME-U or G. When connecting by underground to the water purveyor's main from the point of connection or valve where the primary purpose of water is for fire protection sprinkler system.
- Site Address: 2299 N. Austin Ave, Georgetown
- Required Flow Rate: 1750 gpm

ADDITIONAL FIRE PROTECTION NOTES

- Site Address: 2299 N. Austin Ave, Georgetown, TX
- Required Flow Rate per Georgetown Fire Department: 1750 gpm
- Minimum depth of cover for fire lines is 36"



LEGEND

- BENCHMARK
- IRON ROD FOUND (1/2" OR AS NOTED)
- IRON ROD WITH CAP STAMPED "STEGER BIZZELL" SET
- FIRE HYDRANT
- WATER METER
- WATER VALVE
- GAS METER
- GAS VALVE
- ELECTRIC METER
- LIGHT POLE
- UTILITY POLE
- WASTEWATER (SANITARY SEWER) MANHOLE
- CLEAN OUT (SANITARY SEWER/WASTEWATER)
- STORM DRAINAGE MANHOLE
- SIGN POST
- MAILBOX
- WIRE FENCE "TYPE NOTED"-IF APPLICABLE
- CHAINLINK FENCE
- WOOD FENCE
- OVERHEAD WIRES
- DRAINAGE EASEMENT
- PUE PUBLIC UTILITY EASEMENT
- ROW RIGHT-OF-WAY
- OR OFFICIAL RECORDS OF WILLIAMSON COUNTY, TEXAS
- OPR OFFICIAL PUBLIC RECORDS OF WILLIAMSON COUNTY, TEXAS
- DR DEED RECORDS OF WILLIAMSON COUNTY, TEXAS
- PR PLAT RECORDS OF WILLIAMSON COUNTY, TEXAS
- POB POINT OF BEGINNING

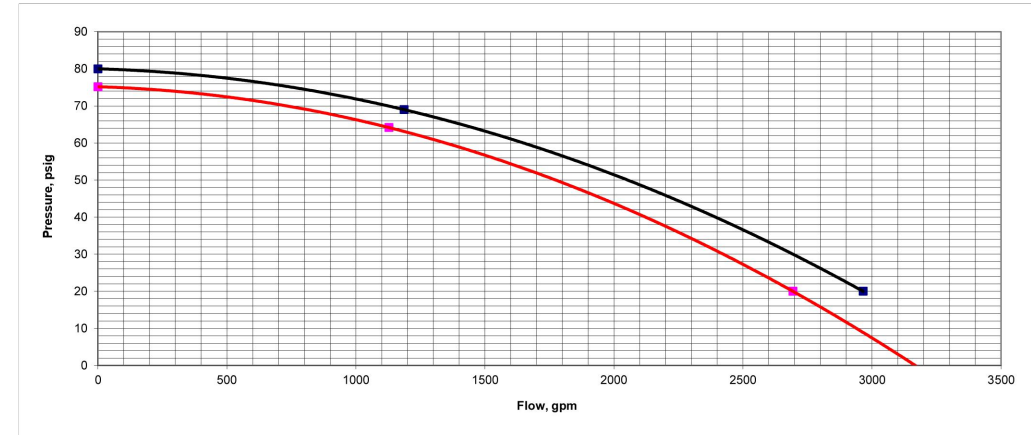
Georgetown Fire Department
 3800 Old Wood
 Georgetown, Texas 78628
 979.961.0471
 Fax: 979.961.0897

Water Flow Test Report

LOCATION	TEST DATE	TEST TIME	TEST DATE
2231 N. Austin Ave	08/21/2024	10:38	08/21/2024

SIZE OPENING	A1	A2	A3
2.5	2.5	2.5	2.5
COEFFICIENT	0.9	0.9	0.9
PITOT READING	1.86	1.86	1.86
QPM	1128	1128	1128

ADJ. STATIC: 75.17 PSI A.D. RESIDUAL: 64.17 PSI
 ADJ. FLOW: 1128 GPM ADJ. PITOT: 45.17 0.00 0.00
 FLOW AT 20 PSI RESIDUAL: 2004 GPM TOTAL FLOW: 3162 GPM



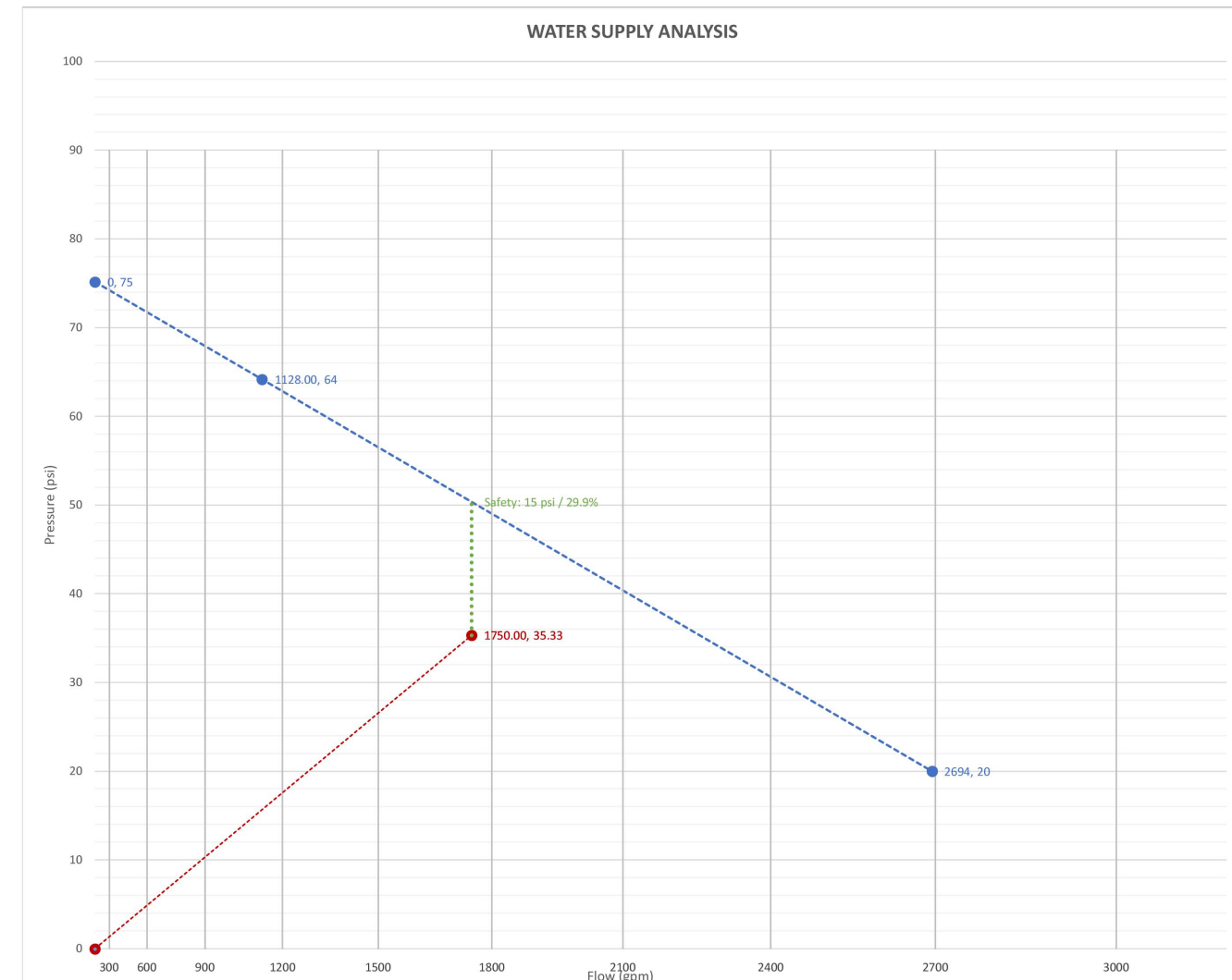
GHS AG FACILITIES - FH 1 - NFPA 13 CALCULATIONS

SUPPLY ANALYSIS						
Node at Source	Static Pressure	Residual Pressure	Flow	Available Pressure	Total Demand	Required Pressure
TEST	75.17	64.17	1128	1750	20	20

NODE ANALYSIS						
Node Tag	Elevation	Node Type	Pressure at Node	Discharge at Node	Notes	
PR-FH	718.5		20.00	1750		
UG-2	714.5		24.11			
UG-CONNECT	708.0		33.16			
UG-1	709.0		35.39			
TEST	713.5		35.33			

GHS AG FACILITIES - FH 1 - NFPA 13 CALCULATIONS

CITY WATER SUPPLY				DEMAND			
C1 - Static Pressure:	75.17 PSI	D1 - Elevation:	FT				
C2 - Residual Pressure:	64.17 PSI	D2 - System Flow:	GPM				
C3 - Residual Flow:	1128.00 GPM	D3 - System Pressure:	PSI				
		D4 - Node Demand:	GPM				
		D5 - System Demand:	1750.00 GPM				
		D6 - Pressure at Demand:	20.00 PSI				
		D7 - Safety Provided:	15.00 PSI				
		D8 - Safety Margin:	20.00 %				



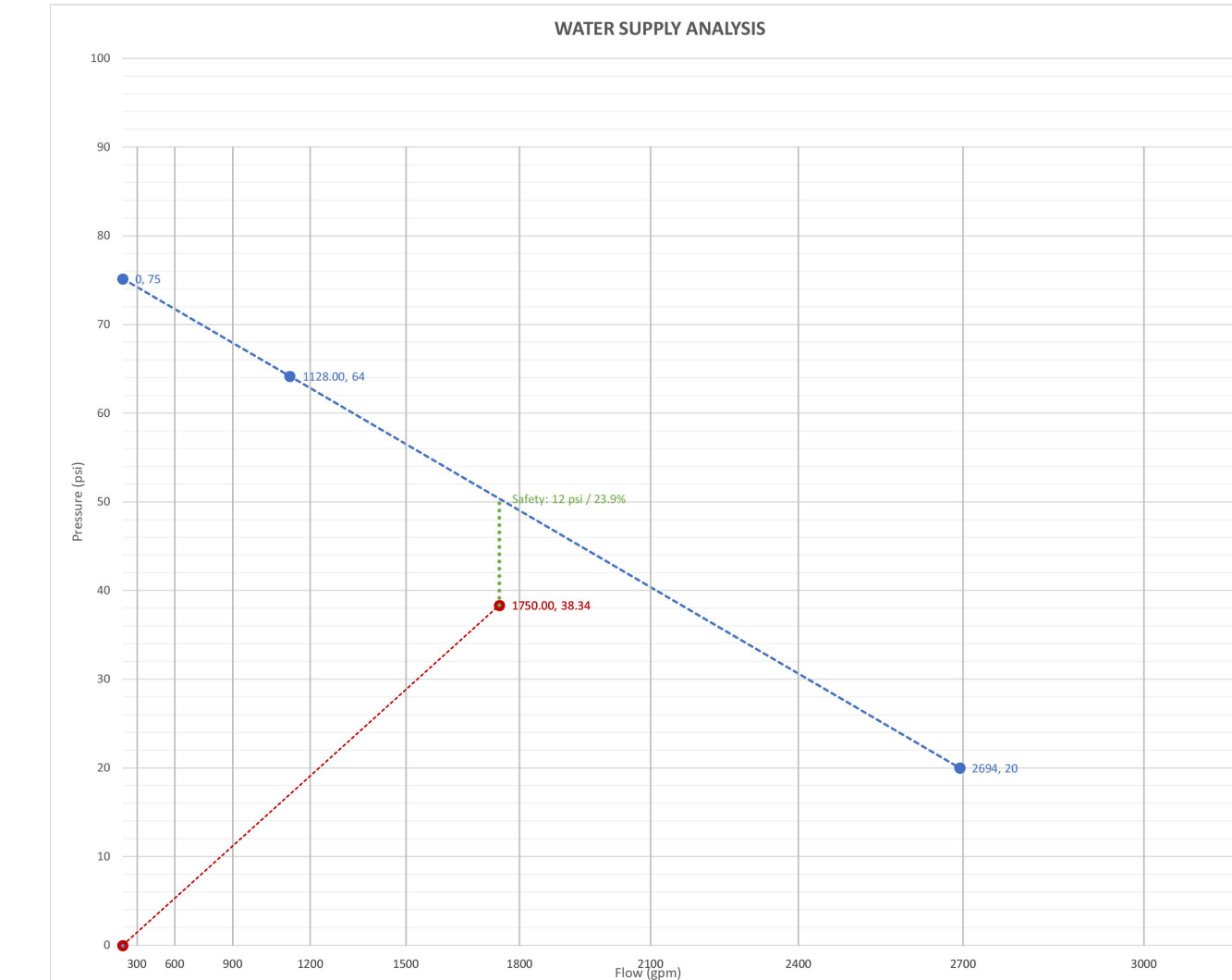
GHS AG FACILITIES - FH 2 - NFPA 13 CALCULATIONS

SUPPLY ANALYSIS						
Node at Source	Static Pressure	Residual Pressure	Flow	Available Pressure	Total Demand	Required Pressure
TEST	75.17	64.17	1128	1750	20	20

NODE ANALYSIS						
Node Tag	Elevation	Node Type	Pressure at Node	Discharge at Node	Notes	
PR-FH 2	719.3		20.00	1750		
UG-2	714.8		24.53			
UG-CONNECT	710.0		35.17			
UG-1	709.0		38.40			
TEST	713.5		38.34			

GHS AG FACILITIES - FH 2 - NFPA 13 CALCULATIONS

CITY WATER SUPPLY				DEMAND			
C1 - Static Pressure:	75.17 PSI	D1 - Elevation:	FT				
C2 - Residual Pressure:	64.17 PSI	D2 - System Flow:	GPM				
C3 - Residual Flow:	1128.00 GPM	D3 - System Pressure:	PSI				
		D4 - Node Demand:	GPM				
		D5 - System Demand:	1750.00 GPM				
		D6 - Pressure at Demand:	20.00 PSI				
		D7 - Safety Provided:	15.00 PSI				
		D8 - Safety Margin:	20.00 %				



GHS AG - FACILITIES FH 1 - NFPA 13 CALCULATIONS

Node1 to Node2	Elev1	K	Qa	Nom	Fitting or Equiv	Pipe Len	Cfact	Pf	Pe	Pf/Pt	Pe/Pt	***Notes***
PR-FH 1 to UG-2	718.5	H1750	1750	6 L		20.084	10.000	140	20.000			
UG-2 to UG-CONNECT	714.5		1750	6 L	G	4.304	24.388	1.732	24.106			2.374 V = 18.84 ft/s
UG-CONNECT to UG-1	708.0		1750	7.68	2T	87.706	92.718	2.814	33.16			
UG-1 to TEST	709.0		1750	7.68	1T	43.853	48.865	0.0208	45.17			
TEST to TEST	713.5		1750	6.16	G	4.304	24.388	1.948	35.33			

GHS AG FACILITIES - FH 2 - NFPA 13 CALCULATIONS

Node1 to Node2	Elev1	K	Qa	Nom	Fitting or Equiv	Pipe Len	Cfact	Pf	Pe	Pf/Pt	Pe/Pt	***Notes***
PR-FH 2 to UG-2	719.3	H1750	1750	6 L		20.084	13.000	140	20.000			
UG-2 to UG-CONNECT	714.8		1750	6.16	G	4.304	24.388	1.948	24.530			2.582 V = 18.84 ft/s
UG-CONNECT to UG-1	710.0		1750	7.68 2-45 DEG.	2T	87.706	115.271	2.078	35.17			
UG-1 to TEST	709.0		1750	7.68	1T	43.853	48.865	0.0208	38.40			
TEST to TEST	713.5		1750	6.16	G	4.304	24.388	1.948	38.34			

Warning!
 There are existing water pipelines, underground telephone cables and other above and below ground utilities in the vicinity of this project. The Contractor shall contact all appropriate companies prior to any construction in the area and determine if any conflicts exist. If so, the Contractor shall immediately contact the Engineer who shall revise the design as necessary.

Project: GEORGETOWN HIGH SCHOOL AG FACILITIES FOR GEORGETOWN I.S.D., 2299 N. AUSTIN AVE GEORGETOWN, TEXAS 78626

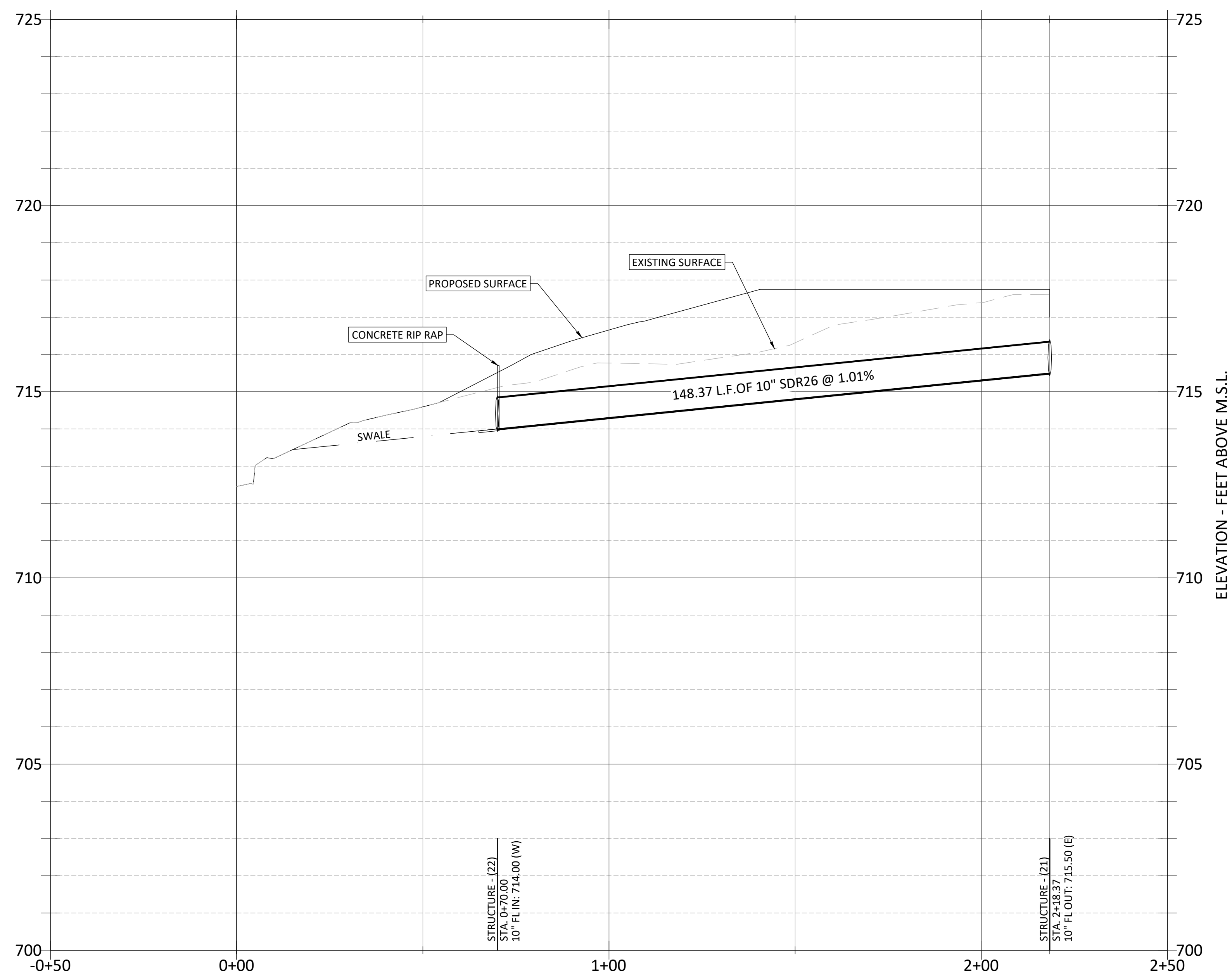
STEGER BIZZELL
 1978 S. AUSTIN AVENUE
 GEORGETOWN, TX 78626
 512.930.9412 VOICE
 512.930.9416 FAX
 WWW.STEGERBIZZELL.COM
 TX REG. ENG. FIRM - P181

09/21/2024

Huckabee
 AUSTIN • DALLAS • FORT WORTH • HOUSTON • WACO
 www.huckabee-inc.com
 800.687.0228

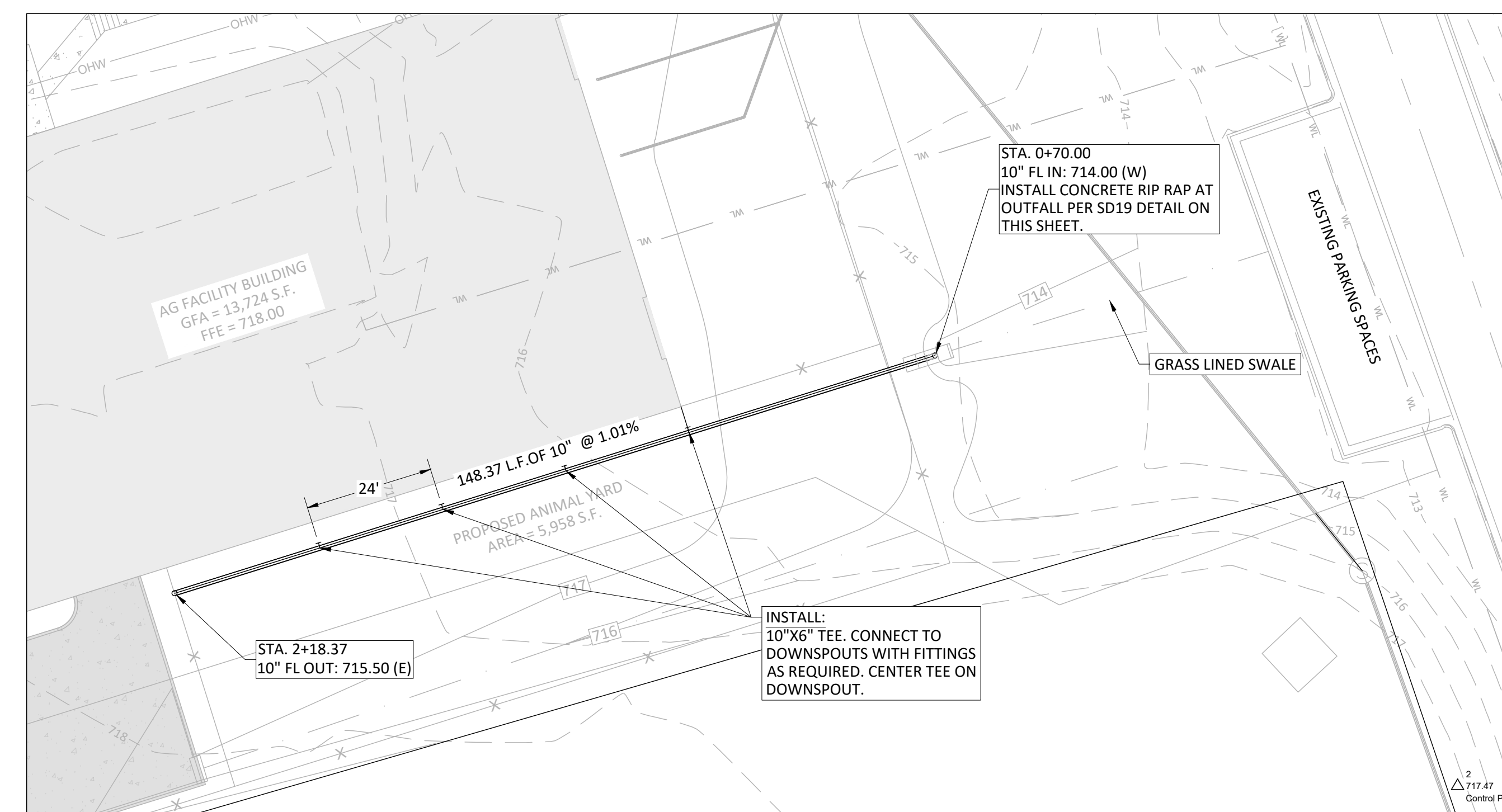
UNDERGROUND FIRE LINE PLAN & DETAILS

SDP SET VOLUME 1
 Job No. 1788-12-01 Sheet No. C18.00
 Drawn By: ARB, JMC
 Date: 10.13.2023
 2024-SDP

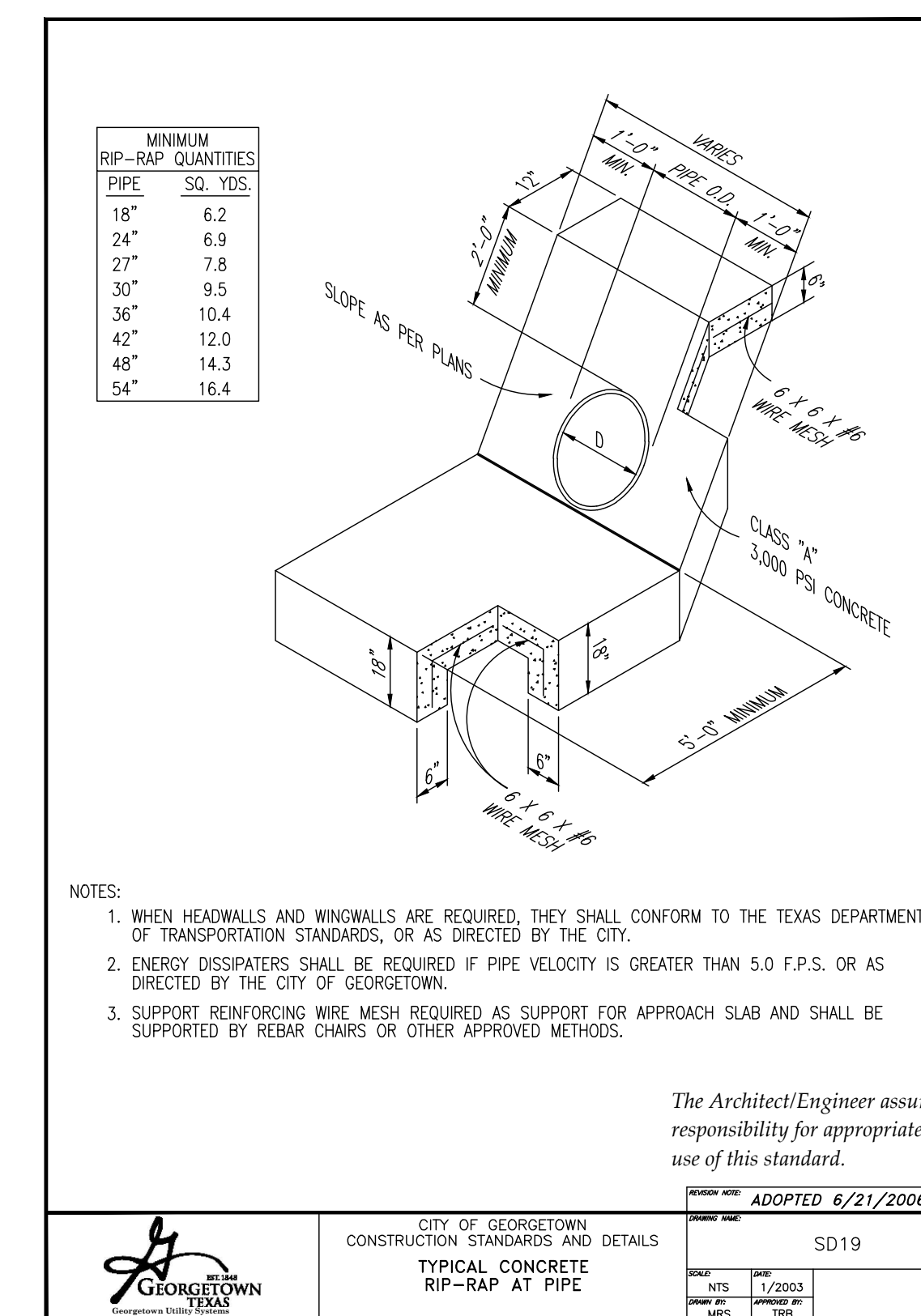


ANIMAL YARD STORM SEWER PROFILE

SCALE
H: 1" = 20'
V: 1" = 2'



ANIMAL YARD STORM SEWER PLAN



Warning!
There are existing water pipelines, underground telephone cables and other above and below ground utilities in the vicinity of this project. The Contractor shall contact all appropriate companies prior to any construction in the area and determine if any conflicts exist. If so, the Contractor shall immediately contact the Engineer who shall revise the design as necessary.

Revision / Date

Project:
GEORGETOWN HIGH SCHOOL AG FACILITIES
 FOR
GEORGETOWN I.S.D.
 2299 N. AUSTIN AVE GEORGETOWN, TEXAS 78626

STEGER BIZZELL
 1978 S. AUSTIN AVENUE
 GEORGETOWN, TX 78626
 512.930.9412 VOICE
 512.930.9419 FAX
 WWW.STEGERBIZZELL.COM
 TX REG. ENG. FIRM - F181

BRYAN ERIC MOORE
 98920
 LICENSED PROFESSIONAL ENGINEER
 03/21/2024

STEGER BIZZELL JOB # 22888

Huckabee
 AUSTIN • DALLAS • FORT WORTH • HOUSTON • WACO
 www.huckabee-inc.com
 800.887.0228

ANIMAL YARD STORM SEWER PLAN

SDP SET VOLUME 1

Job No. 1788-12-01 Sheet No. C19.00

Drawn By: ARB, JMC

Date: 10.13.2023

2024-SDP